

MM MagnaMate™ ATHP QL

MagnaMate™ QL ATHP (Quick Lok) connectors compact form factor deliver loads of 130A or 180A for cable outer diameters up to 15.2mm. The definitive front latch design allows for multiple angles of connector engagement providing ease of mating in blind mate or confined spaces achieving IP67 ingress protection. The MagnaMate™ QL ATHP high-voltage connector system is easy to assemble, cost effective and was developed for use in ancillary units such as air-conditioning, electrical heating systems, or AC/DC converters, and for battery charging applications. **QL (Quick Lok) is available in both Black and Orange housings.**

Potential Applications: Electrical Air Condition, Battery Charger, Electrical Heater

Description

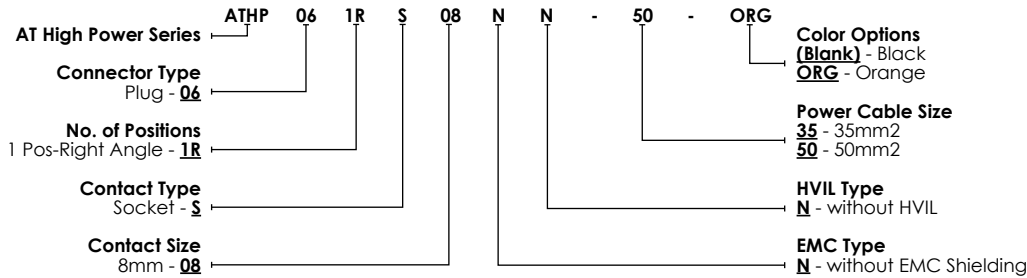
- Right Angle Plug Design
- Blind Mate Compatibility
- Compact, quick locking and press-to-release design
- Constructed of heavy-duty thermoplastic

Performance

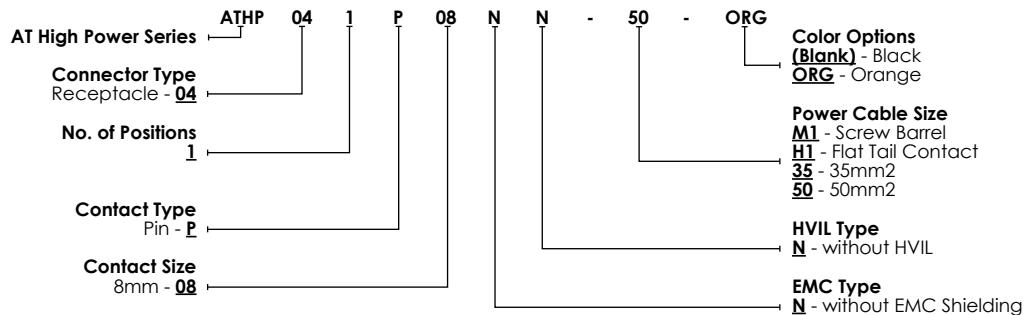
- Current Capacity up to 180A
- Voltage: 1000V AC/DC
- Temperature Range -55°C TO + 125°C
- IP67-rated (mated)



MagnaMate™ ATHP QL Plug - Part Numbering Sequence



MagnaMate™ ATHP QL Receptacles - Part Numbering Sequence



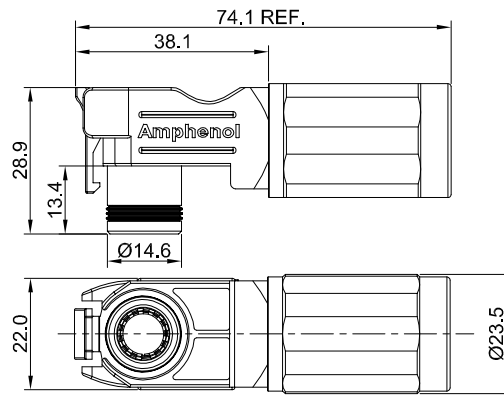
MagnaMate™ ATHP QL - Plug with EMC Shielding and High Voltage Interlock Loop

Part Number	Type	Position	Power Contact	Keying	Cable O.D. Range	Voltage
ATHP061RS08NN-50	Plug	1	Socket	-	14.2-15.2mm	1000
ATHP061RS08NN-35	Plug	1	Socket	-	10.7-11.7mm	1000

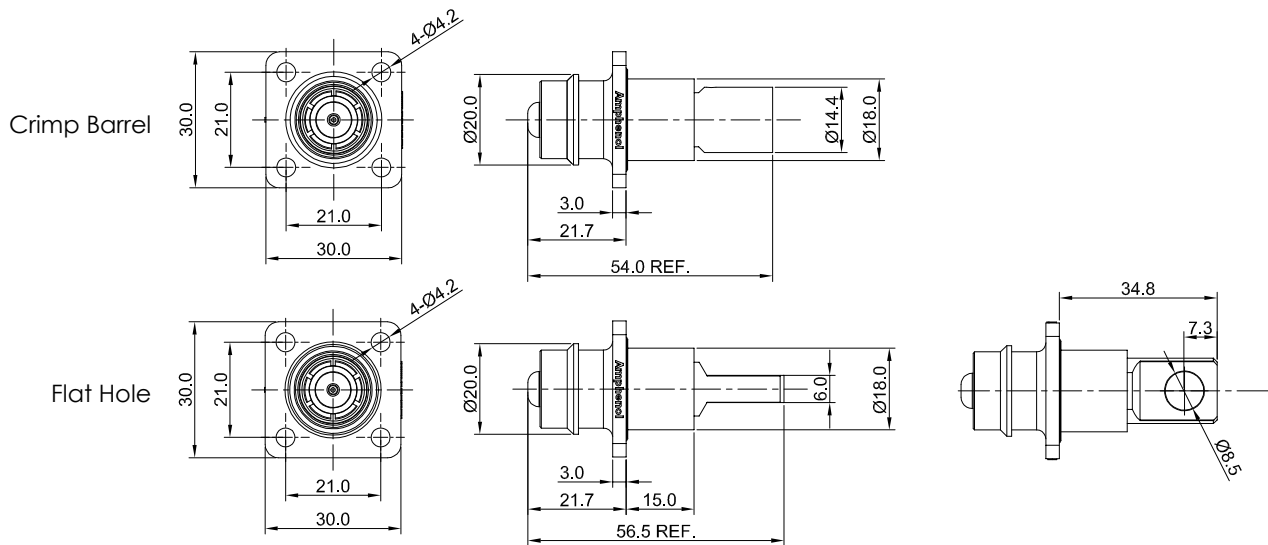
MagnaMate™ ATHP QL - Receptacle with EMC Shielding and High Voltage Interlock Loop

Part Number	Type	Position	Power Contact	Keying	Wire Range	Voltage
ATHP041P08NN-H1	Receptacle	1	Pin	-	-	1000
ATHP041P08NN-50	Receptacle	1	Pin	-	50mm ²	1000
ATHP041P08NN-35	Receptacle	1	Pin	-	35mm ²	1000

MagnaMate™ ATHP QL - Plugs



MagnaMate™ ATHP QL - Receptacles



For more information, contact: Customer Service, +1 800 394 7732, csr@amphenol-sine.com

© 2019 Amphenol Sine Systems Corporation, 44724 Morley Drive, Clinton Township MI 48036 USA. www.amphenol-sine.com. Customer Service +1 800 394 7732 Every effort has been made to ensure that the information contained in this document is accurate at the time of publication. Specifications or information stated in this document are subject to change without notice.