

## EXCEL|MATE CC SAE COMBO WALL-MOUNTING - TECHNICAL CHARACTERISTICS

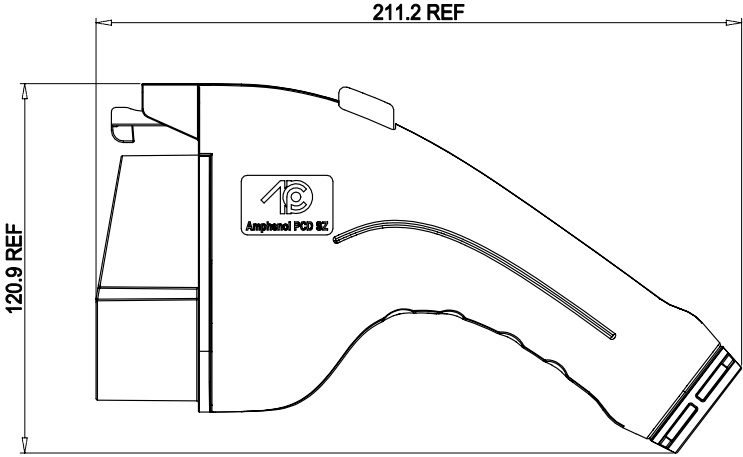
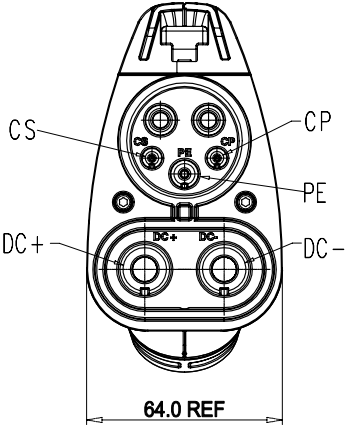


### KEY FEATURES:

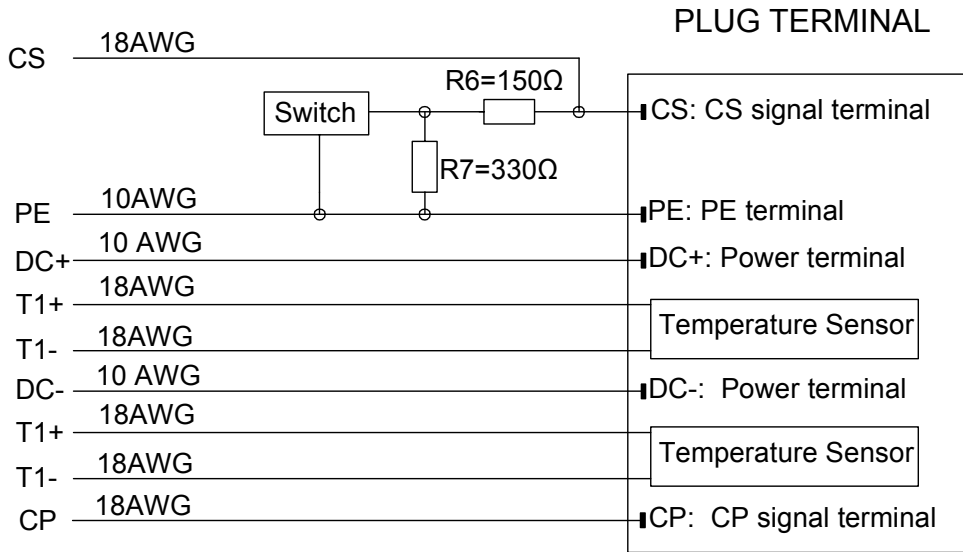
Compliant with:  
SAE J1772  
IEC 62196-3  
UL2251

MECHANICAL	
Mating cycles	> 10,000 cycles (unloaded)
Insertion / withdrawal force	< 100N
ELECTRICAL	
Rated current	40A, 65A, 80A
Rated voltage	1000V DC
Temperature sensor	PT1000 The two power contacts DC+ and DC- are monitored by temperature-dependent resistor sensors
ENVIRONMENTAL	
Protection degree	Type 3S IP67
Ambient temperature	-30°C to 50°C
MATERIAL	
Shell	Thermoplastic
Contact	Copper alloy
Inserts	Thermoplastic
Sealing gasket	Rubber or silicon rubber
Insulator inflammability	UL94V0

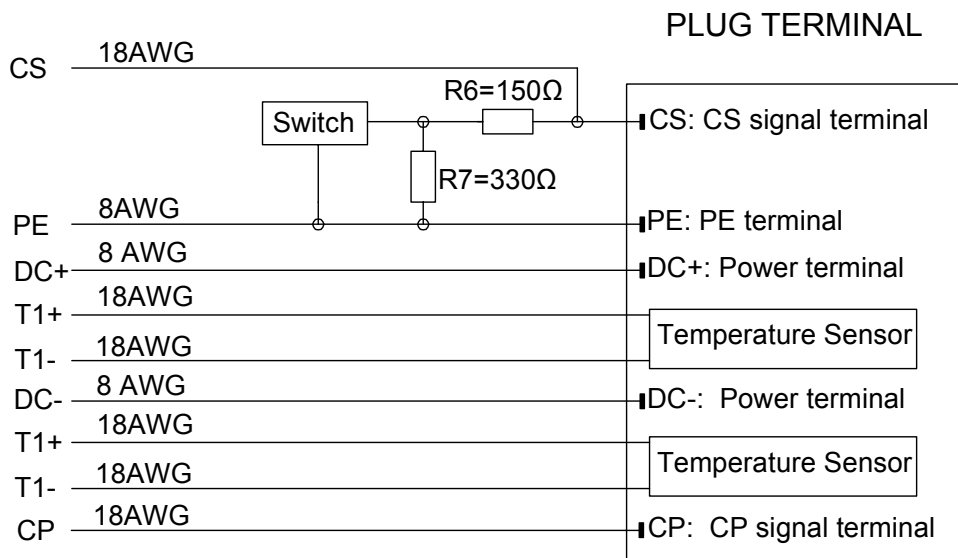
CC SAE COMBO WALL-MOUNTING VEHICLE CONNECTOR DIMENSIONS



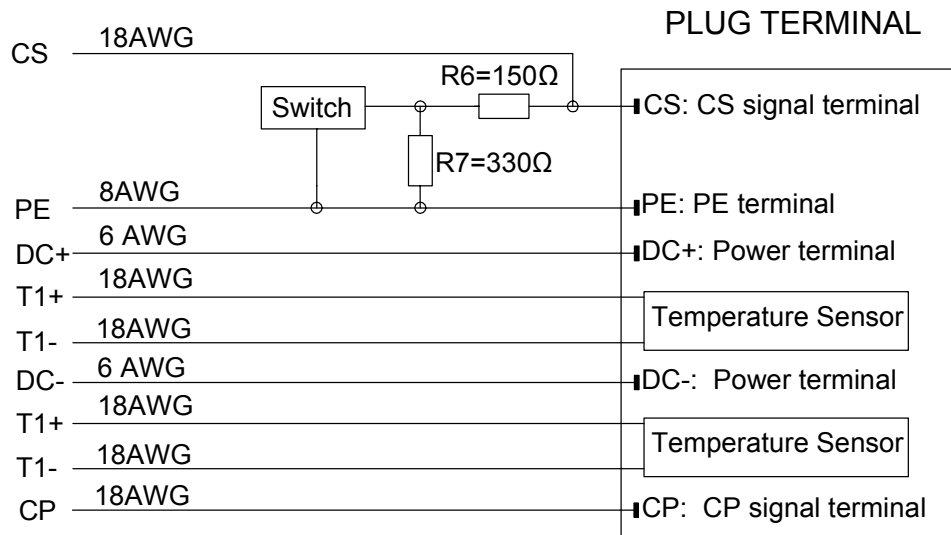
40A



65A



80A



HOW TO ORDER | SAE COMBO WALL-MOUNTING

SAE Combo Vehicle Connector

	HVCO	SAE	M	D	40A	LXXXX	XXXX
<b>SAE:</b> SAE Combo							
<b>Connector type:</b> M: Vehicle Connector							
<b>Connector version:</b> D: Mini DC Combo Gun							
<b>Rated current DC:</b> 40A: 40A 65A: 65A 80A: 80A							
<b>Cable length:</b> LXXXX: Cable length (Unit in mm)							
<b>Cable accessories:</b> XXXX: Cable accessories or customer code							

HOLDER FOR PLUG

P/N: C-P03BP00156

(Connectors do not include, please order seperately)

