

Industrial plugs and sockets

Critical & Safe

Switched interlocked socket outlet



Heavy duty, Type MVS...WH
16 A...32 A, IP67



Heavy duty, Type MVS...WH
63 A...125 A, IP67



Vertical with RCD protection,
Type MPR..., 16 A...32 A, IP44



Vertical, Type MVS...
16 A...32 A, IP44



Vertical, Type MVS...W
16 A...32 A, IP67



Metal enclosed, Type MM...
16 A...32 A, IP44



Metal enclosed, Type MM...
63 A, IP44



Metal enclosed, Type MM
125 A, IP44



Horizontal, Type MHS...
16 A...32 A, IP44



Horizontal, Type MHS
63 A, IP44



Horizontal, Type MHS...W
16 A...32 A, IP67



Horizontal, Type MHS..W
63 A, IP67

Surface socket outlet with MCB or RCD



Vertical with MCB protection,
Type RPM..., 16 A...32 A, IP44



Vertical with RCD protection,
Type RPR..., 16 A...32 A, IP44

Industrial plugs and sockets

Critical & Safe

Our new industrial plugs and sockets complements Amphenol's strong low-voltage offer. These plugs and sockets are part of Critical & Safe. Critical & Safe is a product range suitable for general use in most applications.

“Critical & Safe is the range for applications with high demands on safety, durability and performance. The product range is perfect for applications with frequent connection/disconnection, and to use in public areas. Switch interlock system provides high product and personal safety, thanks to the mechanism it is not possible to turn on the product if a correct plug is not engaged, which in turn means that the risk of personal injuries decreases if by accident coming in contact with live parts. The plug cannot be disengaged if the mechanism is turned on. The only way to engage and disengage the plug from the socket outlet is if the mechanism is switched off.

The housing is made of PBT or aluminum. PBT is a tough plastic material that withstands heavy-duty usage and most chemicals found in industrial environments. The aluminum housing is a mix of aluminium and silicon called silumin, which gives an excellent protection against corrosion while being robust and tough against impact and sunlight.”



Switched interlocked socket outlets

Heavy duty



416MVS6WH

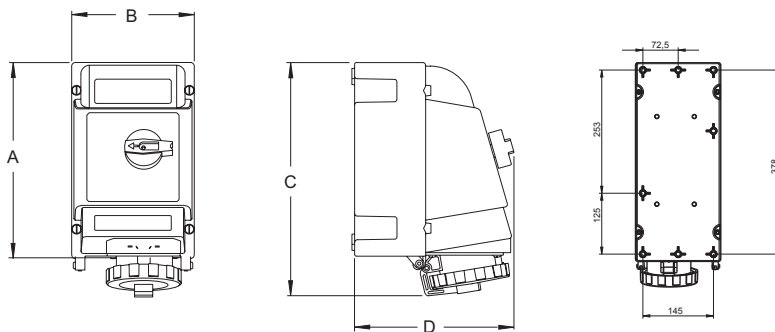
16 A. IP67/IP69. Watertight

Housing in plastic (PBT). Cable entry with knock-outs \varnothing 25+32 mm on top and drill marks on bottom. Cable area 1.5...4 mm²

Terminals/ Poles	Color code	Voltage V	Frequency Hz	Type	Order Code	Pkg qty	Weight
							pkg (1pce)
							kg
2P+E							
3	Grey		AC	216MVS1WH	2CMA163255R1000	1	1.75
	Yellow	100...130	50 and 60	216MVS4WH	2CMA163256R1000		
	Blue	200...250		216MVS6WH	2CMA163257R1000		
	Red	380...415		216MVS9WH	2CMA163258R1000		
	Grey	transf		216MVS12WH	2CMA163259R1000		
3P+E							
4	Grey		AC	316MVS1WH	2CMA163261R1000	1	1.79
	Yellow	100...130	50 and 60	316MVS4WH	2CMA163262R1000		
	Black	600...690		316MVS5WH	2CMA163263R1000		
	Red	380...415		316MVS6WH	2CMA163264R1000		
	Black	480...500		316MVS7WH	2CMA163265R1000		
	Blue	200...250		316MVS9WH	2CMA163266R1000		
	Green	> 50 V~	100...300	316MVS10WH	2CMA163267R1000		
	Red	440...460	60	316MVS11WH	2CMA163268R1000		
3P+N+E							
5	Grey		AC	416MVS1WH	2CMA163270R1000	1	1.83
	Green	> 50 V~	>300...500	416MVS2WH	2CMA163271R1000		
	Red	346...415	50 and 60	416MVS6WH	2CMA163272R1000		
	Black	480...500		416MVS7WH	2CMA101713R1000		
	Blue	208...250		416MVS9WH	2CMA163273R1000		

- The switch handle is padlockable (5-8 mm shackle)

- The switch insert can be equipped with an auxiliary contact, (see page 102)



Dimensions (mm)

Type	A	B	C	D
216MVS...WH	255	160	306	205
316MVS...WH	255	160	306	205
416MVS...WH	255	160	306	205

Switched interlocked socket outlets

Heavy duty



432MVS6WH

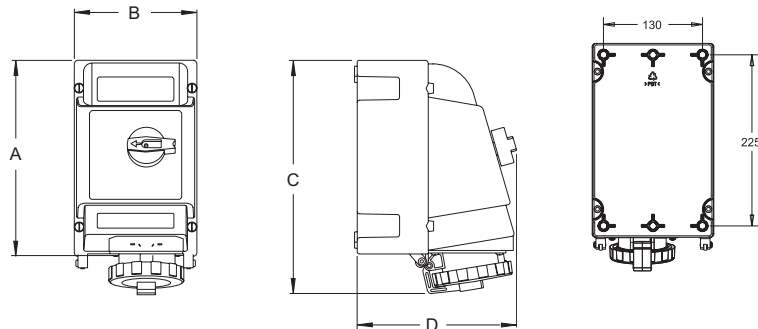
32 A. IP67/IP69. Watertight

Housing in plastic (PBT). Cable entry with knock-outs \varnothing 25+32 mm on top and drill marks on bottom. Cable area 2.5...10 mm²

Terminals/ Poles	Color code	Voltage V	Frequency Hz	Type	Order Code	Pkg qty	Weight
							pkg (1pce) kg
2P+E							
3	Grey		AC	232MVS1WH	2CMA163275R1000	1	1.87
	Grey	> 50...250	DC	232MVS3WH	2CMA105985R1000		
	Yellow	100...130	50 and 60	232MVS4WH	2CMA105108R1000		
	Blue	200...250		232MVS6WH	2CMA163276R1000		
	Red	380...415		232MVS9WH	2CMA105109R1000		
	Grey	transf.		232MVS12WH	2CMA105110R1000		
3P+E							
4	Grey		AC	332MVS1WH	2CMA163277R1000	1	1.91
	Red	380/440	50/60	332MVS3WH	2CMA100662R1000		
	Yellow	100...130	50 and 60	332MVS4WH	2CMA105111R1000		
	Black	600...690		332MVS5WH	2CMA163278R1000		
	Red	380...415		332MVS6WH	2CMA163279R1000		
	Black	480...500		332MVS7WH	2CMA163280R1000		
	Blue	200...250		332MVS9WH	2CMA163281R1000		
	Green	> 50 V~	100...300	332MVS10WH	2CMA105112R1000		
	Red	440...460	60	332MVS11WH	2CMA105113R1000		
	3P+N+E						
5	Grey		AC	432MVS1WH	2CMA163284R1000	1	1.95
	Green	> 50 V~	>300...500	432MVS2WH	2CMA105114R1000		
	Yellow	100...130	50 and 60	432MVS4WH	2CMA105115R1000		
	Red	346...415		432MVS6WH	2CMA163285R1000		
	Black	480...500		432MVS7WH	2CMA163286R1000		
	Blue	208...250		432MVS9WH	2CMA101701R1000		
	Red	440...460	60	432MVS11WH	2CMA105117R1000		

- The switch handle is padlockable (5-8 mm shackle)

- The switch insert can be equipped with an auxiliary contact, (see page 102)



Dimensions (mm)

Type	A	B	C	D
232MVS...WH	255	160	306	205
332MVS...WH	255	160	306	205
432MVS...WH	255	160	306	205

Switched interlocked socket outlets

Heavy duty



463MVS6WH

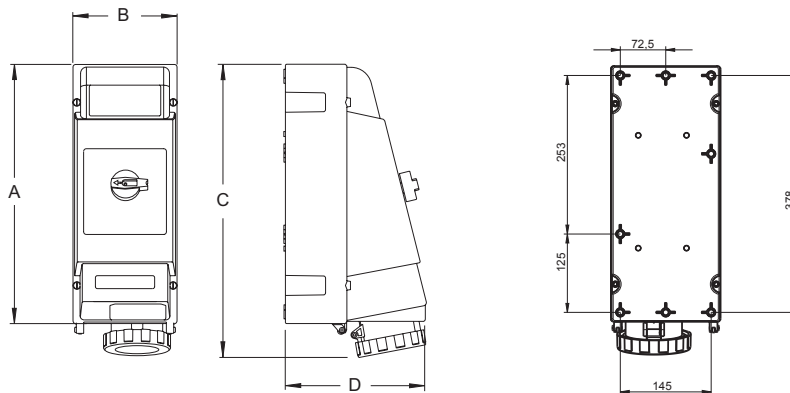
63 A. IP67/IP69. Watertight

Housing in plastic (PBT). Cable entry with knock-outs \varnothing 40+50 mm on top and drill marks on bottom. Cable area 6...25 mm²

Terminals/ Poles	Color code	Voltage V	Frequency Hz	Type	Order Code	Pkg qty	Weight
							pkg (1pce)
							kg
2P+E							
3	Grey		AC	263MVS1WH	2CMA162831R1000	1	3.50
	Yellow	100...130	50 and 60	263MVS4WH	2CMA162827R1000		
	Blue	200...250		263MVS6WH	2CMA162828R1000		
	Red	380...415		263MVS9WH	2CMA162829R1000		
3P+E							
4	Grey		AC	363MVS1WH	2CMA162841R1000	1	3.50
	Yellow	100...130	50 and 60	363MVS4WH	2CMA162834R1000		
	Black	600...690		363MVS5WH	2CMA162835R1000		
	Red	380...415		363MVS6WH	2CMA162836R1000		
	Black	480...500		363MVS7WH	2CMA162837R1000		
	Blue	200...250		363MVS9WH	2CMA162838R1000		
	Red	440...460	60	363MVS11WH	2CMA162840R1000		
3P+N+E							
5	Grey		AC	463MVS1WH	2CMA162849R1000	1	3.60
	Yellow	100...130	50 and 60	463MVS4WH	2CMA162844R1000		
	Red	346...415		463MVS6WH	2CMA162845R1000		
	Black	600...690		463MVS5WH	2CMA162805R1000		
	Black	480...500		463MVS7WH	2CMA162846R1000		
	Blue	208...250		463MVS9WH	2CMA162847R1000		
	Red	440...460	60	463MVS11WH	2CMA162848R1000		

- The switch handle is padlockable (5-8 mm shackle)

- The switch insert can be equipped with an auxiliary contact, (see page 102)



Dimensions (mm)

Type	A	B	C	D
263MVS...WH	408	175	463	241
363MVS...WH	408	175	463	241
463MVS...WH	408	175	463	241

Switched interlocked socket outlets

Heavy duty



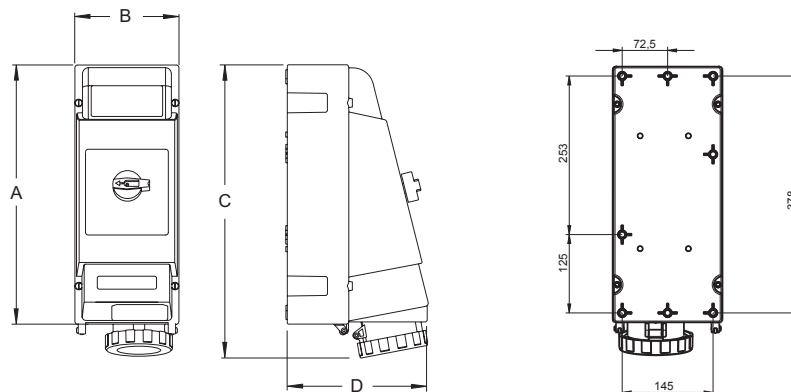
4125MVS6WH

125 A. IP67/IP69. Watertight

Housing in plastic (PBT). Cable entry with knock-outs \varnothing 40+50 mm on top and drill marks on bottom. Long phase sleeves and pilot sleeve. Cable area 16...70 mm²

Terminals/ Poles	Color code	Voltage V	Frequency Hz	Type	Order Code	Pkg qty	Weight
							pkg (1pce)
2P+E							
3	Grey		AC	2125MVS1WH	2CMA162740R1000	1	4.20
	Yellow	100...130	50 and 60	2125MVS4WH	2CMA162738R1000		
	Blue	200...250		2125MVS6WH	2CMA162739R1000		
	Red	380...415		2125MVS9WH	2CMA101837R1000		
3P+E							
4	Grey		AC	3125MVS1WH	2CMA162746R1000	1	4.40
	Yellow	100...130	50 and 60	3125MVS4WH	2CMA162741R1000		
	Red	380...415		3125MVS6WH	2CMA162742R1000		
	Black	600...690		3125MVS5WH	2CMA162747R1000		
	Black	480...500		3125MVS7WH	2CMA162743R1000		
	Blue	200...250		3125MVS9WH	2CMA162744R1000		
	Red	440...460	60	3125MVS11WH	2CMA162745R1000		
3P+N+E							
5	Grey		AC	4125MVS1WH	2CMA162796R1000	1	4.50
	Yellow	100...130	50 and 60	4125MVS4WH	2CMA162791R1000		
	Red	346...415		4125MVS6WH	2CMA162792R1000		
	Black	600...690		4125MVS5WH	2CMA162797R1000		
	Black	480...500		4125MVS7WH	2CMA162793R1000		
	Blue	208...250		4125MVS9WH	2CMA162794R1000		
	Red	440...460	60	4125MVS11WH	2CMA162795R1000		

- The switch handle is padlockable (5-8 mm shackle)
- The switch insert can be equipped with an auxiliary contact, (see page 102)



Dimensions (mm)

Type	A	B	C	D
2125MVS...WH	408	175	463	241
3125MVS...WH	408	175	463	241
4125MVS...WH	408	175	463	241

Switched interlocked socket outlets

Metal enclosed



416MM6

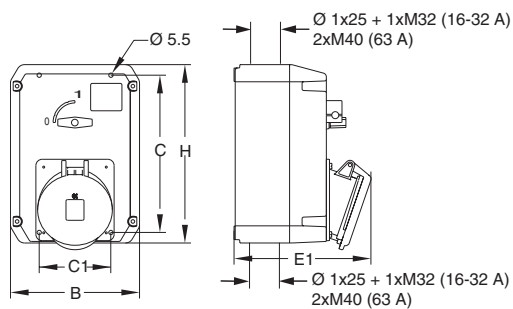
16 A. IP44. Splashproof

Housing in aluminum. Cable entry 2 x M25 + 2 x M32. Cable area 1.5...4 mm²

Terminals/ Poles	Color code	Voltage	Frequency	Type	Order Code	Pkg qty	Weight
		V	Hz				pkg (1pce) kg
3P+E							
4	Grey		AC	316MM1	2CMA167980R1000	1	1.30
	Yellow	100...130	50 and 60	316MM4	2CMA167973R1000		
	Black	600...690		316MM5	2CMA167974R1000		
	Red	380...415		316MM6	2CMA167975R1000		
	Black	480...500		316MM7	2CMA167976R1000		
	Blue	200...250		316MM9	2CMA167977R1000		
	Green	> 50 V~	100...300	316MM10	2CMA167978R1000		
	Red	440...460	60	316MM11	2CMA167979R1000		
3P+N+E							
5	Grey		AC	416MM1	2CMA167988R1000	1	1.32
	Green	> 50 V~	>300...500	416MM2	2CMA167981R1000		
	Black	600...690	50 and 60	416MM5	2CMA126695R1000		
	Red	346...415		416MM6	2CMA167984R1000		
	Blue	208...250		416MM9	2CMA167986R1000		
	Red	440...460	60	416MM11	2CMA167987R1000		

- The switch handle is padlockable (5-8 mm shackle)

- The switch insert can be equipped with an auxiliary contact, (see page 102)



Dimensions (mm)

Type	B	C	C1	E1	H
316MM...	135	165	91.5	125	198
416MM...	135	165	91.5	125	198

Switched interlocked socket outlets

Metal enclosed



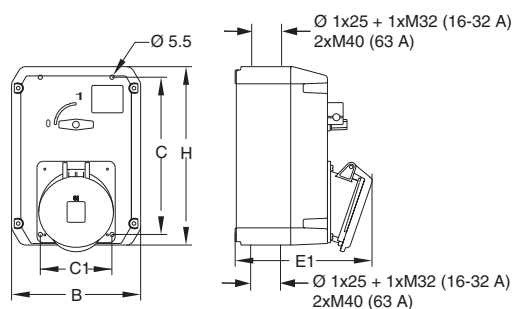
416MM6

32 A. IP44. Splashproof

Housing in aluminum. Cable entry 2 x M25 + 2 x M32. Cable area 2.5...10 mm²

Terminals/ Poles	Color code	Voltage V	Frequency Hz	Type	Order Code	Pkg qty	Weight			
							pkg (1pce) kg			
3P+E										
4	Grey		AC	332MM1	2CMA167998R1000	1	1.42			
	Red	380/440	50/60	332MM3	2CMA167990R1000					
	Yellow	100...130	50 and 60	332MM4	2CMA167991R1000					
	Black	600...690		332MM5	2CMA167992R1000					
	Red	380...415		332MM6	2CMA167993R1000					
	Black	480...500		332MM7	2CMA167994R1000					
	Blue	200...250		332MM9	2CMA167995R1000					
	Green	> 50 V~	100...300	332MM10	2CMA167996R1000					
	Red	440...460	60	332MM11	2CMA167997R1000					
	3P+N+E									
	5	Grey		AC	432MM1			2CMA168006R1000	1	1.48
Black		600...690	50 and 60	432MM5	2CMA126696R1000					
Red		346...415		432MM6	2CMA168002R1000					
Black		480...500		432MM7	2CMA168003R1000					
Blue		208...250		432MM9	2CMA168004R1000					
Red		440...460	60	432MM11	2CMA100027R1000					

- The switch handle is padlockable (5-8 mm shackle)
- The switch insert can be equipped with an auxiliary contact, (see page 102)



Dimensions (mm)

Type	B	C	C1	E1	H
332MM...	135	165	91.5	135	198
432MM...	135	165	91.5	135	198

Switched interlocked socket outlets

Metal enclosed



263MM6

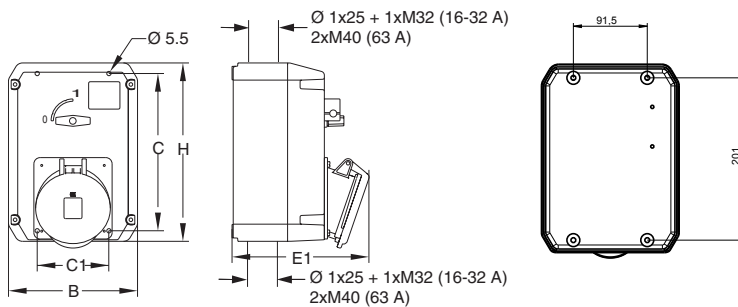
63 A. IP44. Splashproof

Housing in aluminum. Cable entry 4 x M40. Cable area 6...25 mm²

Terminals/ Poles	Color code	Voltage V	Frequency Hz	Type	Order Code	Pkg qty	Weight
							pkg (1pce)
							kg
2P+E							
3	Grey		AC	263MM1	2CMA168033R1000	1	2.20
	Yellow	100...130	50 and 60	263MM4	2CMA168030R1000		
	Blue	200...250		263MM6	2CMA168031R1000		
	Red	380...415		263MM9	2CMA168032R1000		
3P+E							
4	Grey		AC	363MM1	2CMA168040R1000	1	2.22
	Yellow	100...130	50 and 60	363MM4	2CMA168034R1000		
	Black	600...690		363MM5	2CMA168035R1000		
	Red	380...415		363MM6	2CMA168036R1000		
	Black	480...500		363MM7	2CMA168037R1000		
	Blue	200...250		363MM9	2CMA168038R1000		
	Red	440...460	60	363MM11	2CMA168039R1000		
3P+N+E							
5	Grey		AC	463MM1	2CMA168046R1000	1	2.35
	Black	600...690	50 and 60	463MM5	2CMA126697R1000		
	Red	346...415		463MM6	2CMA168042R1000		
	Black	480...500		463MM7	2CMA168043R1000		
	Blue	208...250		463MM9	2CMA168044R1000		

- The switch handle is padlockable (5-8 mm shackle)

- The switch insert can be equipped with an auxiliary contact, (see page 102)



Dimensions (mm)

Type	B	C	C1	E1	H
263MM...	165	201	91.5	183	228
363MM...	165	201	91.5	183	228
463MM...	165	201	91.5	183	228

Switched interlocked socket outlets

Metal enclosed



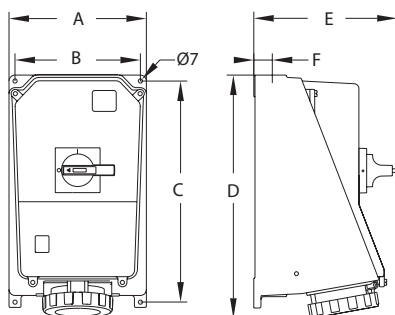
4125MM6

125 A. IP44. Splashproof

Housing in aluminum. Long phase sleeves and pilot sleeve. Cable entry 1 x M50. Cable area 16...70 mm²

Terminals/ Poles	Color code	Voltage V	Frequency Hz	Type	Order Code	Pkg qty	Weight
							pkg (1pce) kg
2P+E							
	Blue	200...250	50 and 60	2125MM6	2CMA168047R1000	1	7.70
3P+E							
4	Grey		AC	3125MM1	2CMA168052R1000	1	7.90
	Black	600...690	50 and 60	3125MM5	2CMA168061R1000		
	Red	380...415		3125MM6	2CMA168048R1000		
	Black	480...500		3125MM7	2CMA168049R1000		
	Blue	200...250		3125MM9	2CMA168050R1000		
	Red	440...460	60	3125MM11	2CMA168051R1000		
3P+N+E							
5	Grey		AC	4125MM1	2CMA168056R1000	1	8.10
	Black	600...690	50 and 60	4125MM5	2CMA126698R1000		
	Red	346...415		4125MM6	2CMA168053R1000		
	Black	480...500		4125MM7	2CMA168054R1000		
	Red	440...460	60	4125MM11	2CMA168055R1000		

- The switch handle is padlockable (5-8 mm shackle)
- The switch insert can be equipped with an auxiliary contact, (see page 102)



Dimensions (mm)

Type	A	B	C	D	E	F
2125MM...	230	210	370	405	230	31
3125MM...	230	210	370	405	230	31
4125MM...	230	210	370	405	230	31

Switched interlocked socket outlets

Horizontal



432MHS6

16 A. IP44. SplashproofHousing in plastic (PBT). Cable entry with knock-outs Ø 25 mm up/M25 down. Cable area 1.5...4 mm²

Terminals/ Poles	Color code	Voltage	Frequency	Type	Order Code	Pkg qty	Weight
		V	Hz				pkg (1pce) kg
2P+E							
3	Grey		AC	216MHS1	2CMA167626R1000	1	0.55
	Yellow	100...130	50 and 60	216MHS4	2CMA167622R1000		
	Blue	200...250		216MHS6	2CMA167623R1000		
	Red	380...415		216MHS9	2CMA167624R1000		
	Grey	transf.		216MHS12	2CMA167625R1000		
3P+E							
4	Grey		AC	316MHS1	2CMA167636R1000	1	0.58
	Yellow	100...130	50 and 60	316MHS4	2CMA167629R1000		
	Black	600...690		316MHS5	2CMA167630R1000		
	Red	380...415		316MHS6	2CMA167631R1000		
	Black	480...500		316MHS7	2CMA167632R1000		
	Blue	200...250		316MHS9	2CMA167633R1000		
	Green	> 50 V~	100...300	316MHS10	2CMA167634R1000		
	Red	440...460	60	316MHS11	2CMA167635R1000		
3P+N+E							
5	Grey		AC	416MHS1	2CMA167644R1000	1	0.61
	Green	> 50 V~	100...300	416MHS2	2CMA167637R1000		
	Black	600...690	50 and 60	416MHS5	2CMA126684R1000		
	Red	346...415		416MHS6	2CMA167640R1000		
	Blue	200...250		416MHS9	2CMA167642R1000		

32 A. IP44. SplashproofHousing in plastic (PBT). Cable entry with knock-outs Ø 25 mm up/M25 down. Cable area 2.5...10 mm²

Terminals/ Poles	Color code	Voltage	Frequency	Type	Order Code	Pkg qty	Weight
		V	Hz				pkg (1pce) kg
2P+E							
3	Grey		AC	232MHS1	2CMA167672R1000	1	0.60
	Yellow	100...130	50 and 60	232MHS4	2CMA167668R1000		
	Blue	200...250		232MHS6	2CMA167669R1000		
3P+E							
4	Grey		AC	332MHS1	2CMA167682R1000	1	0.63
	Black	600...690	50 and 60	332MHS5	2CMA167676R1000		
	Red	380...415		332MHS6	2CMA167677R1000		
	Black	480...500		332MHS7	2CMA167678R1000		
	Blue	200...250		332MHS9	2CMA167679R1000		
3P+N+E							
5	Grey		AC	432MHS1	2CMA167690R1000	1	0.66
	Black	600...690	50 and 60	432MHS5	2CMA126685R1000		
	Red	346...415		432MHS6 *)	2CMA167686R1000		

- The switch insert can be equipped with an auxiliary contact, (see page 102)

- Dimension drawing, (see page 90)

Switched interlocked socket outlets

Horizontal



463MHS6

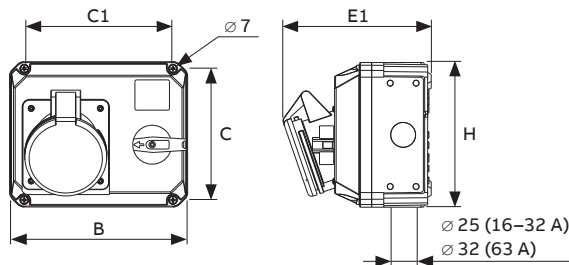
63 A. IP44. Splashproof

Housing in plastic (PBT). Cable entry with knock-outs \varnothing 32 mm. Cable area 6...25 mm²

Terminals/ Poles	Color code	Voltage V	Frequency Hz	Type	Order Code	Pkg qty	Weight
							pkg (1pce)
2P+E							
3	Grey		AC	263MHS1	2CMA167717R1000	1	2.00
	Yellow	100...130	50 and 60	263MHS4	2CMA167714R1000		
	Blue	200...250		263MHS6	2CMA167715R1000		
3P+E							
4	Grey		AC	363MHS1	2CMA167725R1000	1	2.00
	Black	600...690	50 and 60	363MHS5	2CMA167719R1000		
	Red	380...415		363MHS6	2CMA167721R1000		
	Black	480...500		363MHS7	2CMA167722R1000		
	Blue	200...250		363MHS9	2CMA167723R1000		
3P+N+E							
5	Grey		AC	463MHS1	2CMA167731R1000	1	2.10
	Black	600...690	50 and 60	463MHS5	2CMA126686R1000		
	Red	346...415		463MHS6	2CMA167727R1000		

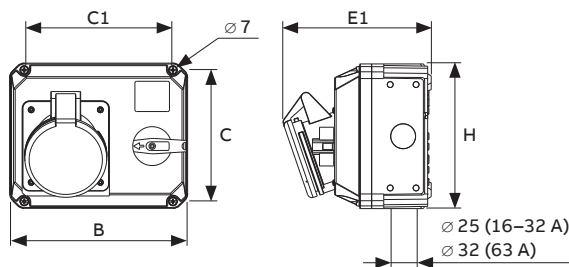
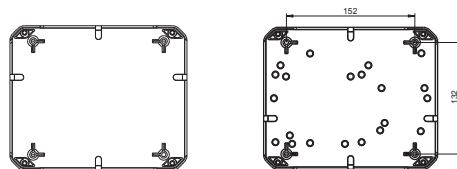
- The switch handle is padlockable (5-8 mm shackle)

- The switch insert can be equipped with an auxiliary contact, (see page 102)



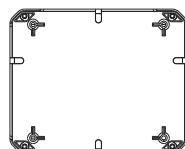
Dimensions (mm)

Type	B	C	C1	E1	H
263MHS...	206	132	152	168	168
363MHS...	206	132	152	168	168
463MHS...	206	132	152	168	168



Dimensions (mm)

Type	B	C	C1	E1	H
216MHS...416MHS...	168	91	125	116	129
232MHS...432MHS...	168	91	125	126	129



Switched interlocked socket outlets

Horizontal



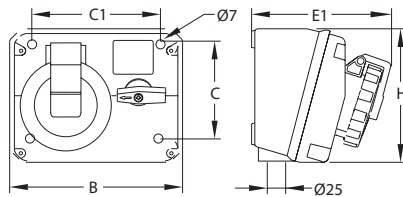
216MHS6W

16 A. IP67. Watertight

Housing in plastic (PBT). Cable entry with knock-outs \varnothing 25 mm up/M25 down. Cable area 1.5...4 mm²

Terminals/ Poles	Color code	Voltage V	Frequency Hz	Type	Order Code	Pkg qty	Weight
							pkg (1pce)
							kg
2P+E							
3	Grey		AC	216MHS1W	2CMA167804R1000	1	0.55
	Yellow	100...130	50 and 60	216MHS4W	2CMA167800R1000		
	Blue	200...250		216MHS6W	2CMA167801R1000		
	Black	480...500		216MHS7W	2CMA101715R1000		
	Red	380...415		216MHS9W	2CMA167802R1000		
	Grey	transf.		216MHS12W	2CMA167803R1000		
3P+E							
4	Grey		AC	316MHS1W	2CMA167814R1000	1	0.58
	Green	> 50 V~	>300...500	316MHS2W	2CMA167805R1000		
	Red	380/440	50/60	316MHS3W	2CMA167806R1000		
	Yellow	100...130	50 and 60	316MHS4W	2CMA167807R1000		
	Black	600...690		316MHS5W	2CMA167808R1000		
	Red	380...415		316MHS6W	2CMA167809R1000		
	Black	480...500		316MHS7W	2CMA167810R1000		
	Blue	200...250		316MHS9W	2CMA167811R1000		
	Green	> 50 V~	100...300	316MHS10W	2CMA167812R1000		
	Red	440...460	60	316MHS11W	2CMA167813R1000		
	3P+N+E						
5	Grey		AC	416MHS1W	2CMA167822R1000	1	0.61
	Green	> 50 V~	>300...500	416MHS2W	2CMA167815R1000		
	Red	380/440	50/60	416MHS3W	2CMA167816R1000		
	Yellow	100...130	50 and 60	416MHS4W	2CMA167817R1000		
	Red	346...415		416MHS6W	2CMA167818R1000		
	Black	480...500		416MHS7W	2CMA167819R1000		
	Blue	208...250		416MHS9W	2CMA167820R1000		
	Red	440...460	60	416MHS11W	2CMA167821R1000		

- The switch insert can be equipped with an auxiliary contact, (see page 102)



Dimensions (mm)

Type	B	C	C1	E1	H
216MHS...W	168	91	125	116	129
316MHS...W	168	91	125	116	129
416MHS...W	168	91	125	116	129

Switched interlocked socket outlets

Horizontal



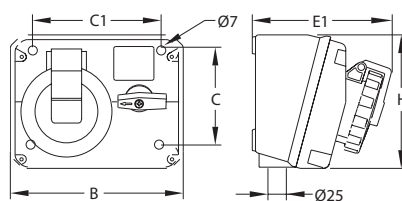
432MHS6W

32 A. IP67. Watertight

Housing in plastic (PBT). Cable entry with knock-outs \varnothing 25 mm up/M25 down. Cable area 2.5...10 mm²

Terminals/ Poles	Color code	Voltage V	Frequency Hz	Type	Order Code	Pkg qty	Weight
							pkg (1pce)
kg							
2P+E							
3	Grey		AC	232MHS1W	2CMA167851R1000	1	0.60
	Yellow	100...130	50 and 60	232MHS4W	2CMA167847R1000		
	Blue	200...250		232MHS6W	2CMA167848R1000		
	Red	380...415		232MHS9W	2CMA167849R1000		
	Grey	transf.		232MHS12W	2CMA167850R1000		
3P+E							
4	Grey		AC	332MHS1W	2CMA167861R1000	1	0.63
	Green	> 50 V~	>300...500	332MHS2W	2CMA167852R1000		
	Red	380/440	50/60	332MHS3W	2CMA167853R1000		
	Yellow	100...130	50 and 60	332MHS4W	2CMA167854R1000		
	Black	600...690		332MHS5W	2CMA167855R1000		
	Red	380...415		332MHS6W	2CMA167856R1000		
	Black	480...500		332MHS7W	2CMA167857R1000		
	Blue	200...250		332MHS9W	2CMA167858R1000		
	Green	> 50 V~	100...300	332MHS10W	2CMA167859R1000		
	Red	440...460	60	332MHS11W	2CMA167860R1000		
	3P+N+E						
5	Grey		AC	432MHS1W	2CMA167869R1000	1	0.66
	Green	> 50 V~	>300...500	432MHS2W	2CMA167862R1000		
	Red	380/440	50/60	432MHS3W	2CMA167863R1000		
	Yellow	100...130	50 and 60	432MHS4W	2CMA167864R1000		
	Red	346...415		432MHS6W	2CMA167865R1000		
	Black	480...500		432MHS7W	2CMA167866R1000		
	Blue	208...250		432MHS9W	2CMA167867R1000		
	Red	440...460	60	432MHS11W	2CMA167868R1000		

- The switch insert can be equipped with an auxiliary contact, (see page 102)



Dimensions (mm)

Type	B	C	C1	E1	H
232MHS...W	168	91	125	136	129
332MHS...W	168	91	125	136	129
432MHS...W	168	91	125	116	129

Switched interlocked socket outlets

Horizontal



263MHS6W

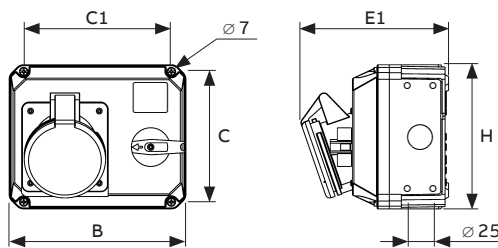
63 A. IP67. Watertight

Housing in plastic (PBT). Cable entry with knock-outs knock-outs \varnothing 33 mm up/ \varnothing 33 down. Cable area 6...25 mm²

Terminals/ Poles	Color code	Voltage V	Frequency Hz	Type	Order Code	Pkg qty	Weight
							pkg (1pce)
							kg
2P+E							
3	Grey		AC	263MHS1W	2CMA167896R1000	1	2.00
	Yellow	100...130	50 and 60	263MHS4W	2CMA167893R1000		
	Blue	200...250		263MHS6W	2CMA167894R1000		
	Red	380...415		263MHS9W	2CMA167895R1000		
3P+E							
4	Grey		AC	363MHS1W	2CMA167903R1000	1	2.00
	Yellow	100...130	50 and 60	363MHS4W	2CMA167897R1000		
	Black	600...690		363MHS5W	2CMA167898R1000		
	Red	380...415		363MHS6W	2CMA167899R1000		
	Black	480...500		363MHS7W	2CMA167900R1000		
	Blue	200...250		363MHW9W	2CMA167901R1000		
	Red	440...460	60	363MHS11W	2CMA167901R1000		
3P+N+E							
5	Grey		AC	463MHS1W	2CMA167909R1000	1	2.10
	Yellow	100...130	50 and 60	463MHS4W	2CMA167904R1000		
	Red	346...415		463MHS6W	2CMA167905R1000		
	Black	480...500		463MHS7W	2CMA167906R1000		
	Blue	208...250		463MHS9W	2CMA167907R1000		
	Red	440...460	60	463MHS11W	2CMA167908R1000		

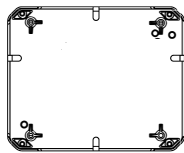
- The switch handle is padlockable (5-8 mm shackle)

- The switch insert can be equipped with an auxiliary contact, (see page 102)



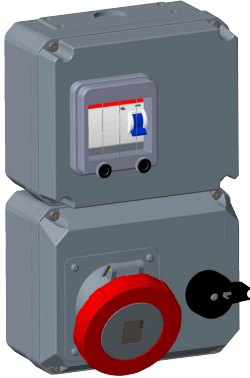
Dimensions (mm)

Type	B	C	C1	E1	H
263MHS...W	206	132	152	182	168
363MHS...W	206	132	152	182	168
463MHS...W	206	132	152	182	168



Switched interlocked socket outlets

With protection

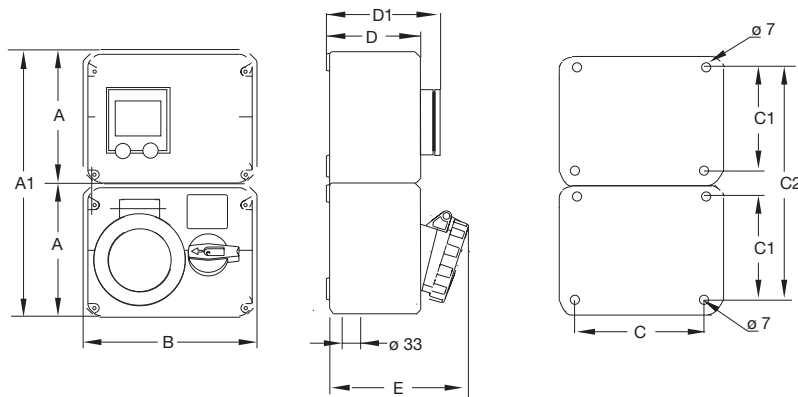


363MPR6W

63 A. IP67. Watertight

Housing in plastic (PBT). Cable entry with knock-outs \varnothing 33 mm up and down. Cable area 6...25 mm².
Delivered with RCD.

Terminals/ Poles	Color code	Voltage V	Frequency Hz	Type	Order Code	Pkg qty	Weight
							pkg (1pce) kg
2P+E							
3	Yellow	100...130	50 and 60	263MPR4W	2CMA101940R1000	1	1.90
	Blue	200...250		263MPR6W	2CMA101941R1000		
	Red	380...415		263MPR9W	2CMA101942R1000		
3P+E							
5	Yellow	100...130	50 and 60	363MPR4W	2CMA101937R1000	1	1.90
	Red	346...415		363MPR6W	2CMA101938R1000		
	Blue	200...250		363MPR9W	2CMA101939R1000		
3P+N+E							
5	Yellow	100...130	50 and 60	463MPR4W	2CMA101935R1000	1	1.90
	Red	346...415		463MPR6W	2CMA101934R1000		
	Blue	208...250		463MPR9W	2CMA101936R1000		



Dimensions (mm)

Type	A	A1	B	C	C1	C2	D	D1	E
263MPR...W	168	337	206	152	132	300	108	138	175
363MPR...W	168	337	206	152	132	300	108	138	175
463MPR...W	168	337	206	152	132	300	108	138	175

Switched interlocked socket outlets

Vertical



432MVS6

16 A. IP44. Splashproof

Housing in plastic (PBT). Cable entry with knock-outs Ø 25 mm. Cable area 1.5...4 mm²

Terminals/ Poles	Color code	Voltage	Frequency	Type	Order Code	Pkg qty	Weight
		V	Hz				pkg (1pce) kg
2P+E							
3	Grey		AC	216MVS1	2CMA167649R1000	1	0.63
	Yellow	100...130	50 and 60	216MVS4	2CMA167645R1000		
	Blue	200...250		216MVS6	2CMA167646R1000		
	Red	380...415		216MVS9	2CMA167647R1000		
	Grey	transf.		216MVS12	2CMA167648R1000		
3P+E							
4	Grey		AC	316MVS1	2CMA167659R1000	1	0.67
	Yellow	100...130	50 and 60	316MVS4	2CMA167652R1000		
	Black	600...690		316MVS5	2CMA167653R1000		
	Red	380...415		316MVS6	2CMA167654R1000		
	Black	480...500		316MVS7	2CMA167655R1000		
	Blue	200...250		316MVS9	2CMA167656R1000		
	Green	> 50 V~	100...300	316MVS10	2CMA167657R1000		
	Red	440...460	60	316MVS11	2CMA167658R1000		
3P+N+E							
5	Grey		AC	416MVS1	2CMA167667R1000	1	0.70
	Green	> 50 V~	300...500	416MVS2	2CMA167660R1000		
	Black	600...690	50 and 60	416MVS5	2CMA126690R1000		
	Red	346...415		416MVS6	2CMA167663R1000		
	Blue	200...250		416MVS9	2CMA167665R1000		

32 A. IP44. Splashproof

Housing in plastic (PBT). Cable entry with knock-outs Ø 25 mm. Cable area 2.5...10 mm²

Terminals/ Poles	Color code	Voltage	Frequency	Type	Order Code	Pkg qty	Weight
		V	Hz				pkg (1pce) kg
2P+E							
3	Grey		AC	232MVS1	2CMA167695R1000	1	0.69
	Yellow	100...130	50 and 60	232MVS4	2CMA167691R1000		
	Blue	200...250		232MVS6	2CMA167692R1000		
3P+E							
4	Grey		AC	332MVS1	2CMA167705R1000	1	0.72
	Black	600...690	50 and 60	332MVS5	2CMA167699R1000		
	Red	380...415		332MVS6	2CMA167700R1000		
	Black	480...500		332MVS7	2CMA167701R1000		
	Blue	200...250		332MVS9	2CMA167702R1000		
3P+N+E							
5	Grey		AC	432MVS1	2CMA167713R1000	1	0.76
	Black	600...690	50 and 60	432MVS5	2CMA126691R1000		
	Red	346...415		432MVS6	2CMA167709R1000		

- The switch handle is padlockable (5-8 mm shackle)

- The switch insert can be equipped with an auxiliary contact, (see page 102)

Switched interlocked socket outlets

Vertical



216MVS6W

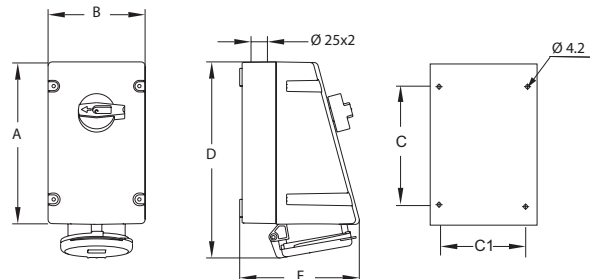
16 A. IP67. Watertight

Housing in plastic (PBT). Cable entry with knock-outs \varnothing 25 mm. Cable area 1.5...4 mm²

Terminals/ Poles	Color code	Voltage V	Frequency Hz	Type	Order Code	Pkg qty	Weight
							pkg (1pce)
							kg
2P+E							
3	Grey		AC	216MVS1W	2CMA167827R1000	1	0.63
	Yellow	100...130	50 and 60	216MVS4W	2CMA167823R1000		
	Blue	200...250		216MVS6W	2CMA167824R1000		
	Red	380...415		216MVS9W	2CMA167825R1000		
	Grey	transf.		216MVS12W	2CMA167826R1000		
3P+E							
4	Grey		AC	316MVS1W	2CMA167838R1000	1	0.67
	Green	> 50 V~	>300...500	316MVS2W	2CMA167828R1000		
	Red	380/440	50/60	316MVS3W	2CMA167829R1000		
	Yellow	100...130	50 and 60	316MVS4W	2CMA167830R1000		
	Black	600...690		316MVS5W	2CMA167831R1000		
	Red	380...415		316MVS6W	2CMA167832R1000		
	Black	480...500		316MVS7W	2CMA167833R1000		
	Blue	200...250		316MVS9W	2CMA167834R1000		
	Green	> 50 V~	100...300	316MVS10W	2CMA167835R1000		
	Red	440...460	60	316MVS11W	2CMA167836R1000		
	3P+N+E						
5	Grey		AC	416MVS1W	2CMA167846R1000	1	0.70
	Green	> 50 V~	>300...500	416MVS2W	2CMA167839R1000		
	Red	380/440	50/60	416MVS3W	2CMA167840R1000		
	Yellow	100...130	50 and 60	416MVS4W	2CMA167841R1000		
	Red	346...415		416MVS6W	2CMA167842R1000		
	Black	480...500		416MVS7W	2CMA167843R1000		
	Blue	208...250		416MVS9W	2CMA167844R1000		
	Red	440...460	60	416MVS11W	2CMA167845R1000		

- The switch handle is padlockable (5-8 mm shackle)

- The switch insert can be equipped with an auxiliary contact, (see page 102)



Dimensions (mm)

Type	A	B	C	C1	D	E
216MVS...416MVS...	199.5	120	170	90	235	149
232MVS...432MVS...	199.5	120	170	90	235	149
216MVS...W	199.5	120	170	90	253	149
316MVS...W	199.5	120	170	90	253	149
416MVS...W	199.5	120	170	90	253	149

Switched interlocked socket outlets

Vertical



432MVS6W

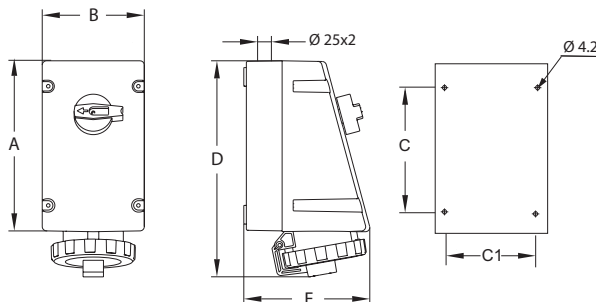
32 A. IP67. Watertight

Housing in plastic (PBT). Cable entry with knock-outs \varnothing 25 mm. Cable area 2.5...10 mm²

Terminals/ Poles	Color code	Voltage	Frequency	Type	Order Code	Pkg qty	Weight
		V	Hz				pkg (1pce) kg
2P+E							
3	Grey		AC	232MVS1W	2CMA167874R1000	1	0.69
	Yellow	100...130	50 and 60	232MVS4W	2CMA167870R1000		
	Blue	200...250		232MVS6W	2CMA167871R1000		
	Red	380...415		232MVS9W	2CMA167872R1000		
	Grey	transf.		232MVS12W	2CMA167873R1000		
3P+E							
4	Grey		AC	332MVS1W	2CMA167884R1000	1	0.72
	Green	> 50 V~	>300...500	332MVS2W	2CMA167875R1000		
	Red	380/440	50/60	332MVS3W	2CMA167876R1000		
	Yellow	100...130	50 and 60	332MVS4W	2CMA167877R1000		
	Black	600...690		332MVS5W	2CMA167878R1000		
	Red	380...415		332MVS6W	2CMA167879R1000		
	Black	480...500		332MVS7W	2CMA167880R1000		
	Blue	200...250		332MVS9W	2CMA167881R1000		
	Green	> 50 V~	100...300	332MVS10W	2CMA167882R1000		
	Red	440...460	60	332MVS11W	2CMA167883R1000		
	3P+N+E						
5	Grey		AC	432MVS1W	2CMA167892R1000	1	0.76
	Green	> 50 V~	>300...500	432MVS2W	2CMA167885R1000		
	Red	380/440	50/60	432MVS3W	2CMA167886R1000		
	Yellow	100...130	50 and 60	432MVS4W	2CMA167887R1000		
	Red	346...415		432MVS6W	2CMA167888R1000		
	Black	480...500		432MVS7W	2CMA167889R1000		
	Blue	208...250		432MVS9W	2CMA167890R1000		
	Red	440...460	60	432MVS11W	2CMA167891R1000		

- The switch handle is padlockable (5-8 mm shackle)

- The switch insert can be equipped with an auxiliary contact, (see page 102)



Dimensions (mm)

Type	A	B	C	C1	D	E
232MVS...W	199.5	120	170	90	253	149
332MVS...W	199.5	120	170	90	253	149
432MVS...W	199.5	120	170	90	253	149

Switched interlocked socket outlets

Vertical with protection



216MPR6

16 A. IP44. Splashproof

Housing in plastic (PBT). Contains RCD 25 A/0.03 A, type A.
Cable entry with knock-outs 2 x Ø 25 mm. Cable area 1.5...4 mm²

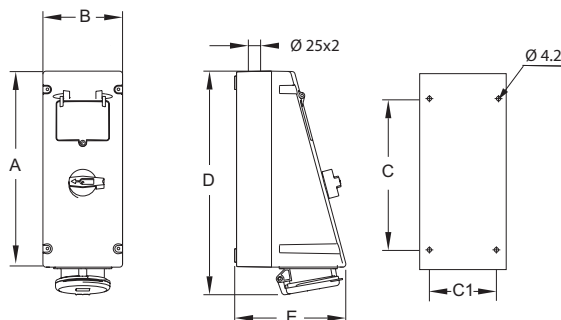
Terminals/ Poles	Color code	Voltage V	Frequency Hz	Type	Order Code	Pkg qty	Weight
							pkg (1pce) kg
2P+E							
3	Blue	200...250	50 and 60	216MPR6	2CMA167756R1000	1	1.71
3P+E							
4	Red	380...415	50 and 60	316MPR6	2CMA167764R1000	1	1.74
	Blue	200...250		316MPR9	2CMA167766R1000		
3P+N+E							
5	Red	346...415	50 and 60	416MPR6	2CMA167772R1000	1	1.76

32 A. IP44. Splashproof

Housing in plastic (PBT). Contains RCD 40 A/0.03 A, type A.
Cable entry with knock-outs 2 x Ø 25 mm. Cable area 2.5...10 mm²

Terminals/ Poles	Color code	Voltage V	Frequency Hz	Type	Order Code	Pkg qty	Weight
							pkg (1pce) kg
2P+E							
3	Blue	200...250	50 and 60	232MPR6	2CMA167778R1000	1	1.77
3P+E							
4	Red	380...415	50 and 60	332MPR6	2CMA167786R1000	1	1.78
	Blue	200...250		332MPR9	2CMA167788R1000		
3P+N+E							
5	Red	346...415	50 and 60	432MPR6	2CMA167795R1000	1	1.80

- The switch handle is padlockable (5-8 mm shackle)
- The switch insert can be equipped with an auxiliary contact, (see page 102)



Dimensions (mm)

Type	A	B	C	C1	D	E
216MPR...	320	130	290	100	366	182
316MPR...	320	130	290	100	366	182
416MPR...	320	130	290	100	366	182

Surface socket outlets

Vertical with protection



216RPM6

16 A. IP44. Splashproof

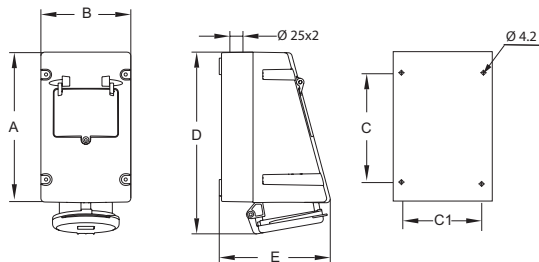
Housing in plastic (PBT). Contains MCB type S200 characteristic C.
Cable entry with knock-outs 2 x Ø 25 mm. Cable area 1.5...4 mm²

Terminals/ Poles	Color code	Voltage V	Frequency Hz	Type	Order Code	Pkg qty	Weight
							pkg (1pce) kg
2P+E							
3	Blue	200...250	50 and 60	216RPM6	2CMA168133R1000	1	1.13
3P+E							
4	Red	380...415	50 and 60	316RPM6	2CMA168141R1000	1	1.16
	Blue	200...250		316RPM9	2CMA168143R1000		
3P+N+E							
5	Red	346...415	50 and 60	416RPM6	2CMA168150R1000	1	1.18

32 A. IP44. Splashproof

Housing in plastic (PBT). Contains MCB type S200 characteristic C.
Cable entry with knock-outs 2 x Ø 25 mm. Cable area 2.5...10 mm²

Terminals/ Poles	Color code	Voltage V	Frequency Hz	Type	Order Code	Pkg qty	Weight
							pkg (1pce) kg
2P+E							
3	Blue	200...250	50 and 60	232RPM6	2CMA168156R1000	1	1.19
3P+E							
4	Red	380...415	50 and 60	332RPM6	2CMA168164R1000	1	1.20
	Blue	200...250		332RPM9	2CMA168166R1000		
3P+N+E							
5	Red	346...415	50 and 60	432RPM6	2CMA168173R1000	1	1.22



Dimensions (mm)

Type	A	B	C	C1	D	E
216RPM...416RPM...	199.5	120	170	90	243	149
232RPM...432RPM...	199.5	120	170	90	243	149

Surface socket outlets

Vertical with protection



216RPR6

16 A. IP44. Splashproof

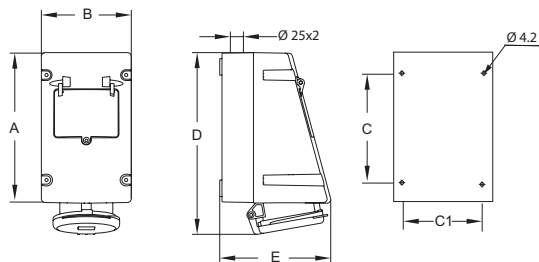
Housing in plastic (PBT). Contains RCD 25 A / 0.03 A, type A
Cable entry with knock-outs 2 x Ø 25 mm. Cable area 1.5...4 mm².

Terminals/ Poles	Color code	Voltage	Frequency	Type	Order Code	Pkg qty	Weight
		V	Hz				pkg (1pce) kg
2P+E							
3	Blue	200...250	50 and 60	216RPR6	2CMA168261R1000	1	1.13
3P+E							
4	Red	380...415	50 and 60	316RPR6	2CMA168269R1000	1	1.16
	Blue	200...250		316RPR9	2CMA168271R1000		
3P+N+E							
5	Red	346...415	50 and 60	416RPR6	2CMA168278R1000	1	1.18

32 A. IP44. Splashproof

Housing in plastic (PBT). Contains RCD 40 A / 0.03 A, type A
Cable entry with knock-outs 2 x Ø 25 mm. Cable area 2.5...10 mm².

Terminals/ Poles	Color code	Voltage	Frequency	Type	Order Code	Pkg qty	Weight
		V	Hz				pkg (1pce) kg
2P+E							
3	Blue	200...250	50 and 60	232RPR6	2CMA168283R1000	1	1.19
3P+E							
4	Red	380...415	50 and 60	332RPR6	2CMA168291R1000	1	1.20
	Blue	200...250		332RPR9	2CMA168293R1000		
3P+N+E							
5	Red	346...415	50 and 60	432RPR6	2CMA168300R1000	1	1.22



Dimensions (mm)

Type	A	B	C	C1	D	E
216RPR...416RPR...	199.5	120	170	90	243	149
232RPR...432RPR...	199.5	120	170	90	243	149

Accessories

Auxillary contact



OA1G10
OA1G01

Auxillary contacts for all switched socket outlet 16...125 A.

Technical data according to IEC 60947-5-1. Ith 16 A.

Insulation voltage 690 V. Operational voltage (V) 230/400/690. Operational current (A) 6/4/2.

Description	Order Code	Pkg qty
Auillary contact OA1G10 (normally open)	2CMA144690R1000	1
Auillary contact OA1G01 (normally closed)	2CMA144691R1000	