

DeepTronica

- Available in power, signal and hybrid cores
- High density, small form-factor connector
- High quality PEEK thermoplastic shell
- Long service life ≥ 1000 mating cycles
- Durable: designed for long term use
- Versatile: full interconnect solution
- Easy and secure coupling



IP68



Corrosion
Resistance



REACH
Compliance



RoHS
Compliance



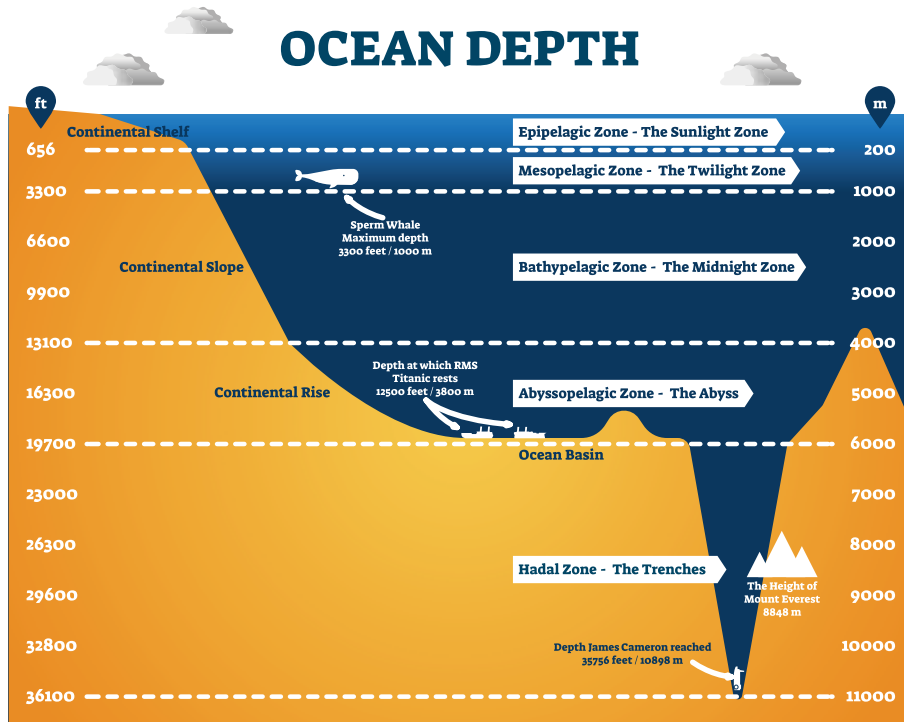
Contents

- 1 Markets / Applications
- 2 Product Range Overview
- 3 Contact Configuration & Ordering Information
- 4 Hadopelagic Circular Mini
- 5 Hadopelagic Circular Micro
- 6 Abyssopelagic Circular Mini
- 7 Abyssopelagic Circular Micro

Why DeepTronica?

In the ocean or underwater area, to mate and unmate a connector whilst guaranteeing the quality of data and power transmission proves to be a real challenge.

DeepTronica series is designed for WET / DRY mate purpose enabling submersion of up to 7,000 meters deep or permanent submersion for both power, data or hybrid applications.



Markets / Applications



Drilling Systems



Seaport



Submarine



ROVs



Marine Renewable Energy



ROTV



Buoys



Underwater Vehicles



Underwater Equipment



Diving

Product Range Overview

Sub-Series Name	Circular	Metal*	Low Profile*	Ethernet*
Ocean Depth	Hadopelagic / Abyssopelagic	Hadopelagic / Bathypelagic	Hadopelagic	Abyssopelagic
Mating Style	Push Pull	Push Pull	Push Pull	Push Pull
Plastic Version	Peek	Peek	Peek	Peek
No. of Contacts	1 ~ 27	2 ~ 12 / 27	2 ~ 9	8, 9, 13
Plating of Contacts	Gold Plated	Gold Plated	Gold Plated	Gold Plated
Operating Voltage (AC/DC)	300 ~ 600V	300 ~ 1000V	600V	250 ~ 600V
Nominal Current	5A ~ 50A	2A ~ 50A	5A ~ 50A	5A ~ 50A
Operating Temperature		<ul style="list-style-type: none"> • Water: -4°C ~ 60°C • Air: -40°C ~ 60°C <li style="padding-left: 20px;">-40°C ~ 90°C <li style="padding-left: 20px;">-40°C ~ 80°C 		
Fasten Style of Nut		Screw NUT (Accessories)		
Receptacle	V	V	V	V
Receptacle With Wires	V	V	V	V
Overmolded With Cable	V	V	V	V
Accessories	V	V	V	V
Applicable Wire Gauge	22 ~ 8AWG (0.34 ~ 10mm ²)	23 ~ 8AWG (0.34 ~ 10mm ²)	24 ~ 8AWG (0.34 ~ 10mm ²)	25 ~ 8AWG (0.34 ~ 10mm ²)
Mating Cycles (Pin Contact)	500 ~ 1,000 Cycles	500 ~ 1,000 Cycles	500 ~ 1,000 Cycles	500 ~ 1,000 Cycles
Qualified Pressure Tested	300 ~ 800 Bar	300 ~ 800 Bar	800 Bar	600 Bar
Salt Spray (Connector, Mated)	Mating 144h	Mating 144h	Mating 144h	Mating 144h

*Upon Request

Contact Configuration & Ordering Information

	Circular			
	Mini		Micro	
	10A	5A+10A	5A	10A
1 Pin				
2 Pin				
G2 2Pin				
3 Pin				
G2 3Pin				
4 Pin				
G2 4Pin				
5 Pin				
6 Pin				
G2 6 Pin				
7 Pin				
8 Pin				
9 Pin				
10 Pin				
12 Pin				
13 Pin				
16 Pin				
21 Pin				
25 Pin				

Example

DT - HCN - 01 B F F - R L A01

DT- XXXX - XX X X X - X X XXX

① ② ③ ④ ⑤ ⑥ ⑦ ⑧

Specification / Size

(HCN) Hadopelagic Circular Mini
 (HCM) Hadopelagic Circular Micro
 (ACN) Abyssopelagic Circular Mini
 (ACM) Abyssopelagic Circular Micro

Number Of Contacts

G2, G3, G4 Contacts
 1 ~ 27 Contacts
 e.g (02) = 2 Contacts

Style

(B) For Cable Without S/R
 (P) For Panel Front Mounting*
 (R) For Panel Rear Mounting
 (L) For Assembly Style 1*
 (S) For Assembly Style 2*

Connector Style

(M) Male Connector
 (F) Female Connector

Contact Type

(M) Male Contact
 (F) Female Contact

Mating Style

(R) Snap In

Backshell

(L) Straight (For Cable Type)
 (R) Right Angle (For Cable & Panel Type)*
 (C) Circular (For Panel Type)*
 (S) Square (For Panel Type)*
 (H) Hexagon (For Panel Type)

More Information

(000) = Phantom

> For Cable
 X30 (30cm) ~ X60 (60cm)

X:
 (A) = Chloroprene Rubber
 (B) = PUR Jacket Cable*
 (C) = Optical Cable*

> For Panel With Wire harness
 X30 (30cm) ~ X60 (60cm)

X:
 (A) = Coloured PTFE
 (B) = CAT 5E Patch Cable*
 (C) = Optical Cable*

*Upon Request

HCN Hadopelagic Circular Mini

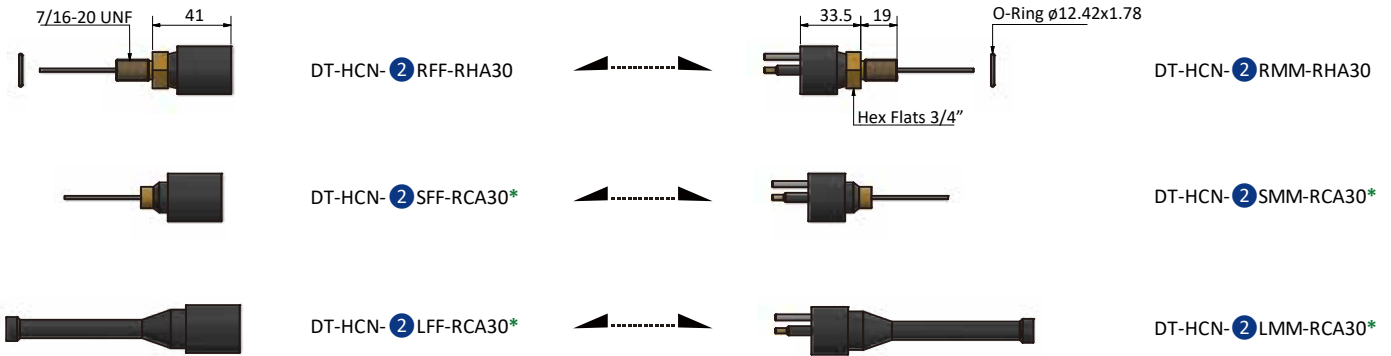
- Maximum Voltage: 600 VDC
- Current Rating @contact: 10A, 5A+10A
- Depth Mating: 800 bar (Up to 7000 m)
- Temperature: -40°C ~ 60°C (Air)
-4°C ~ 60°C (Water)

② No. of Contacts: G2, G3, G4; 01 ~ 25

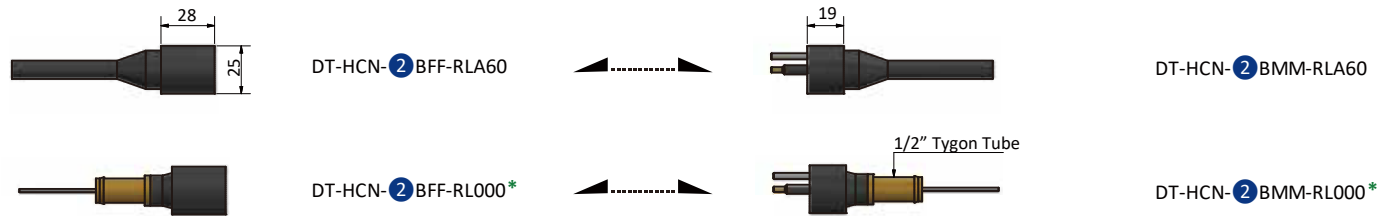
* Panel wire length: 30 cm

Plug cable length: 60 cm

> For Panel

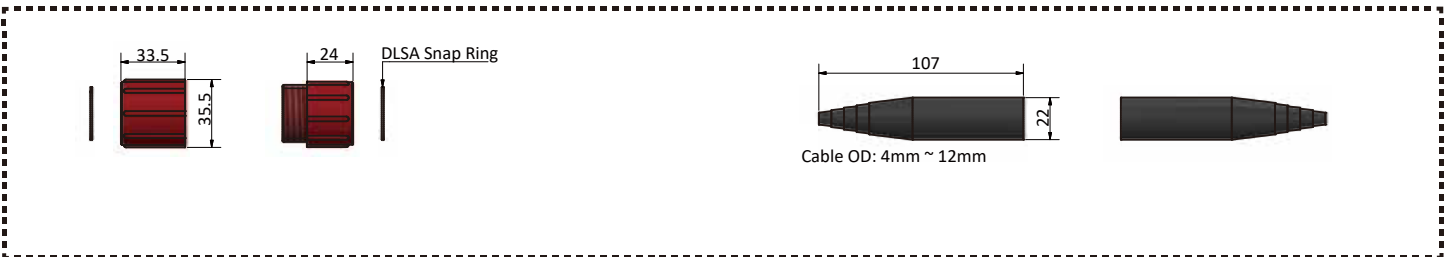


> For Cable



* Upon Request

Accessories



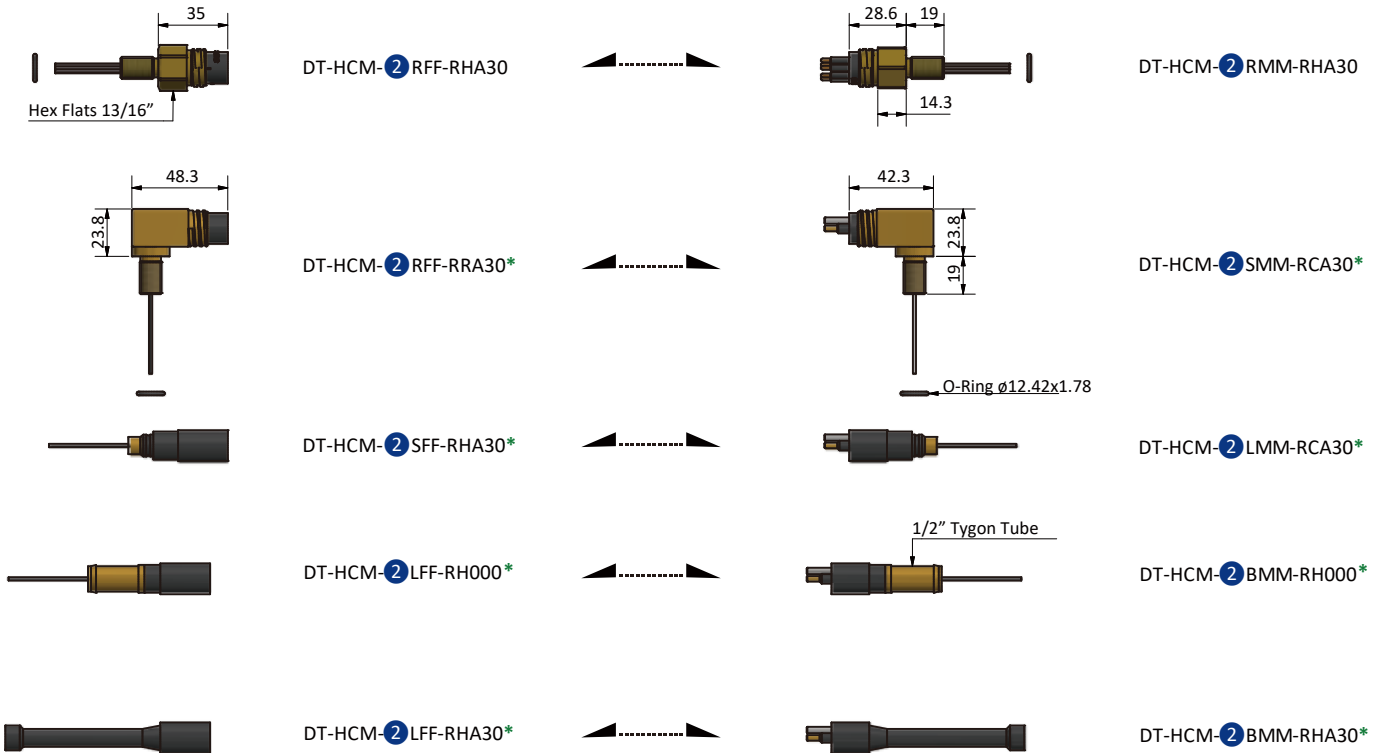
HCM Hadopelagic Circular Micro

- Maximum Voltage: 300 VDC
- Current Rating @contact: 5A, 10A
- Depth Mating: 800 bar (Up to 7000 m)
- Temperature: -40°C ~ 60°C (Air)
-4°C ~ 60°C (Water)

② No. of Contacts: G2, G3, G4; 01 ~ 21

- * Panel wire length: 30 cm
- Plug cable length: 60 cm

> For Panel

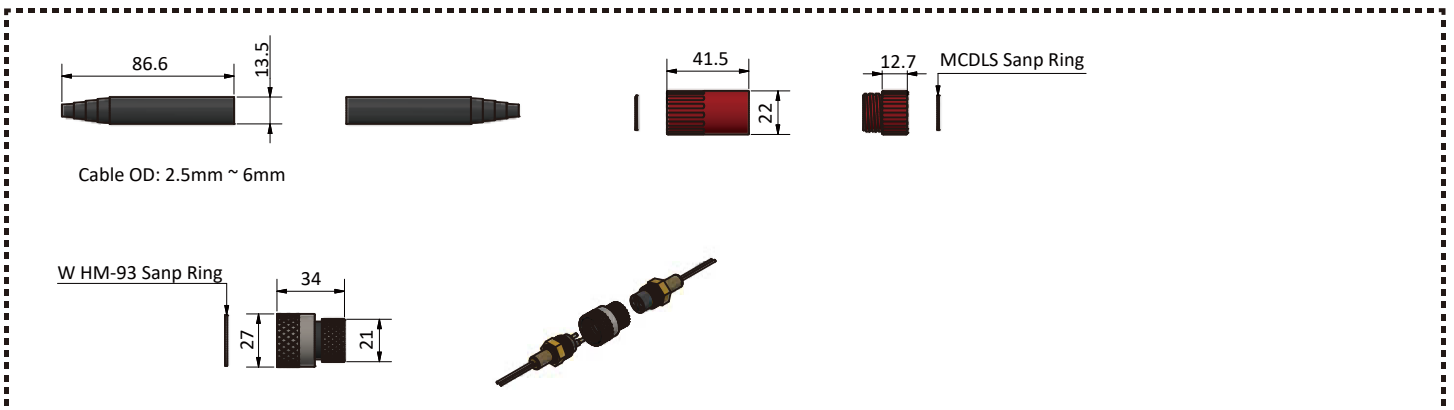


> For Cable



* Upon Request

Accessories



ACN Abyssopelagic Circular Mini

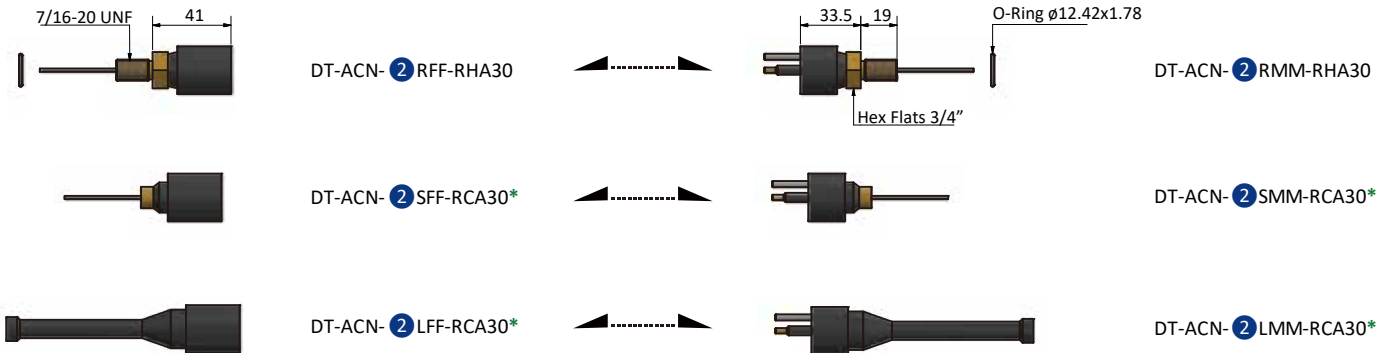
- Maximum Voltage: 600 VDC
- Current Rating @contact: 10A, 5A+10A
- Depth Mating: 300 bar (Up to 6000 m)
- Temperature: -40°C ~ 60°C (Air)
-4°C ~ 60°C (Water)

② No. of Contacts: G2, G3, G4; 01 ~ 25

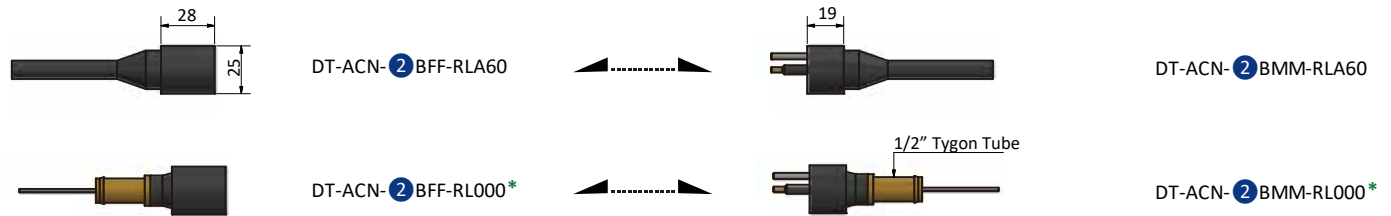
* Panel wire length: 30 cm

Plug cable length: 60 cm

> For Panel

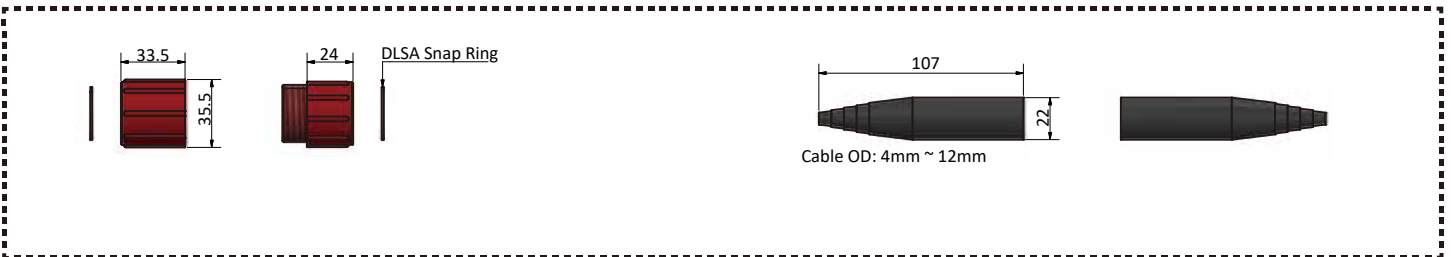


> For Cable



* Upon Request

Accessories



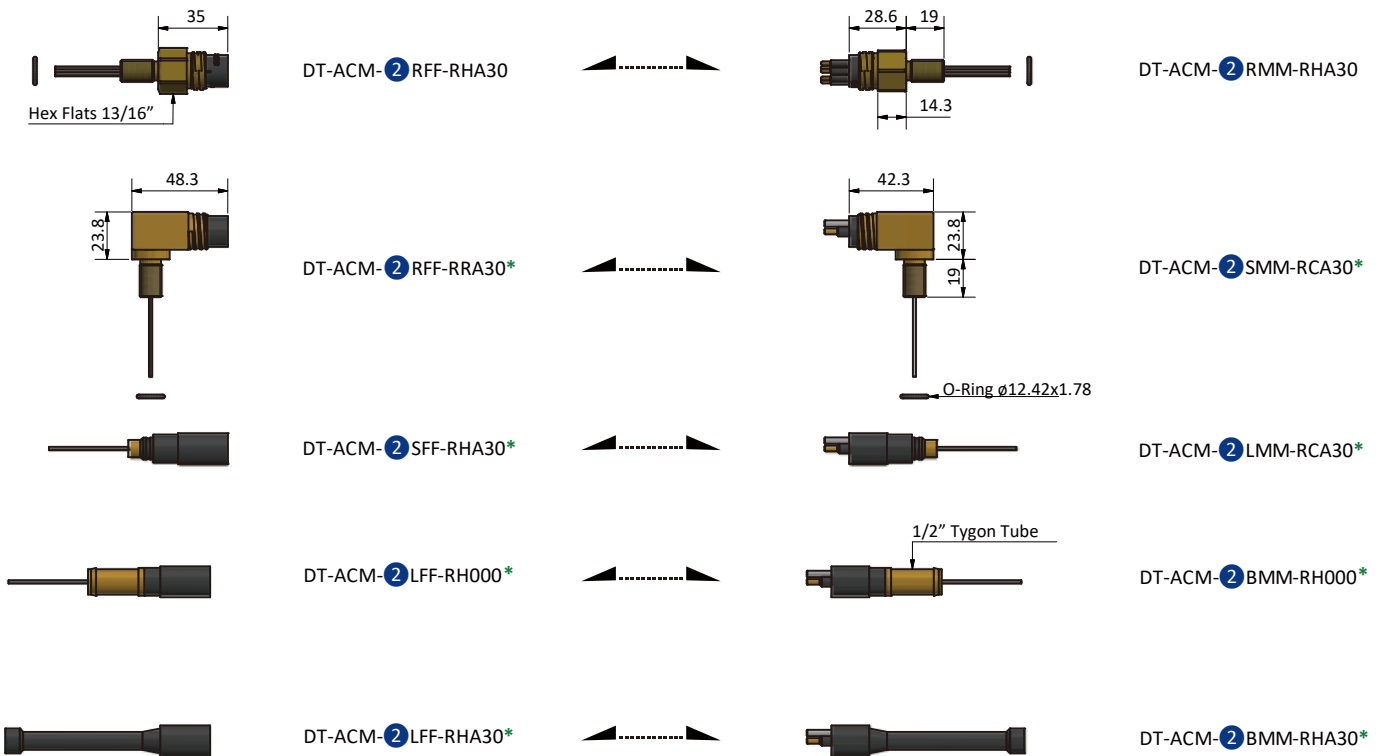
ACM Abyssopelagic Circular Micro

- Maximum Voltage: 300 VDC
- Current Rating @contact: 5A, 10A
- Depth Mating: 300 bar (Up to 6000 m)
- Temperature: -40°C ~ 60°C (Air)
-4°C ~ 60°C (Water)

② No. of Contacts: G2, G3, G4; 01 ~ 21

- * Panel wire length: 30 cm
- Plug cable length: 60 cm

• For Panel

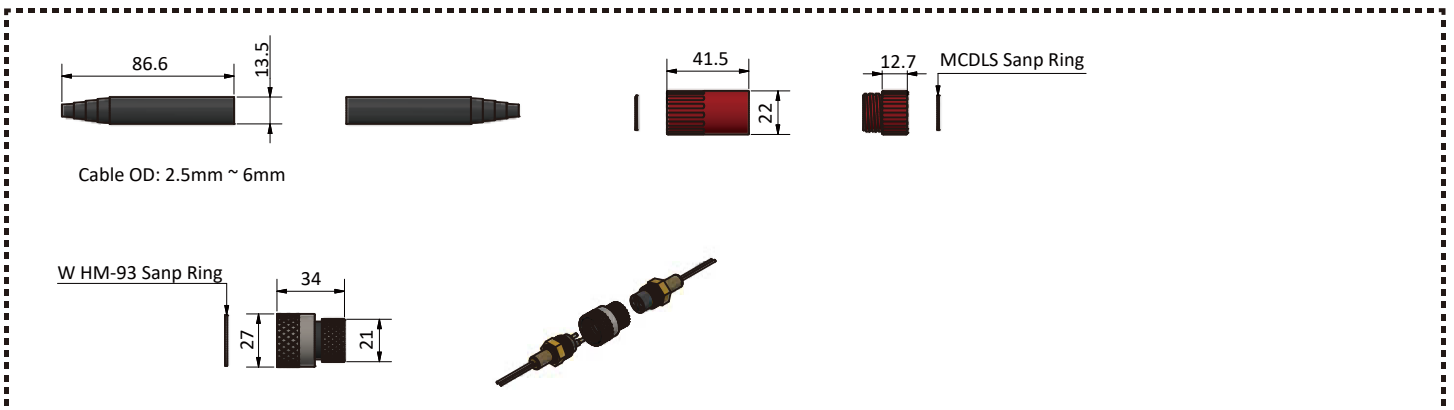


> For Cable



* Upon Request

Accessories



Amphenol LTW Technology Co., Ltd.

5F-3, No.51 , Sec.4 , Zhongyang Rd., Tucheng Dist ., New Taipei City 236 Taiwan

Telephone : +886-2-7741-6888 Fax : +886-2-7741-6999

Email : sales@ltw-tech.com Web: amphenolltw.com

Kunshan Factory

No.62, DaTong Road , Development Zone , Kunshan City , JiangSu Province 215333 China

Telephone : +86-512-5761-0501 Fax : +86-512-5761-0515

For further information, please contact :

Luc Kan | Sales and Marketing

Email : luc@ltw-tech.com

