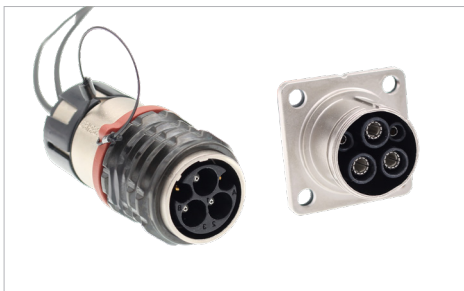


EX series

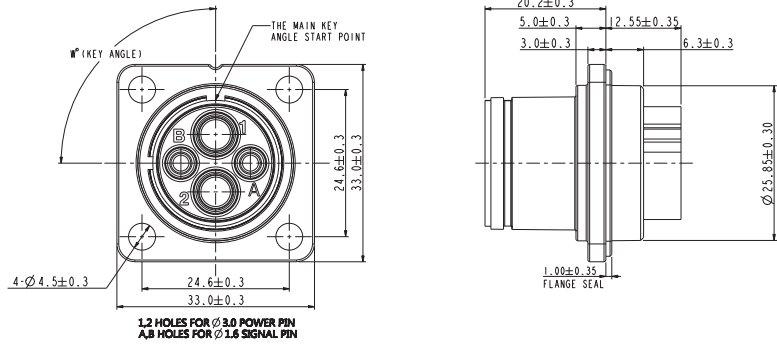


KEY FEATURES

- Easy to install in a limited space
- Push-pull locking system with audible "click"
- EMI shielding
- No tool required to unmate
- Sealing, IP68, IP6K9K (mated)
- Touch-proof IP2XB
- Multiple coding positions
- RoHS compliant

APPLICATIONS	
EV air-conditioner	
DCDC	
PTC	
Power distribution boxes	
MECHANICAL	
Durability	50 mating cycles
Wire range	2.5 to 6mm ² (RA plug: 2.5 to 4mm ²)
Connection type	Crimping
ELECTRICAL	
Rated voltage	1000V DC
Rated current	6.0mm ² cable shield: 40A Max @ Ambient temperature 70°C 4.0mm ² cable shield: 32A Max @ Ambient temperature 70°C 2.5mm ² cable shield: 23A Max @ Ambient temperature 70°C
Insulator resistance	> 2000MΩ
Dielectric withstand voltage	3000V AC
ENVIRONMENTAL	
Sealing	IP68, IP6K9K (mated)
Touch-proof	IP2XB
Operating temperature	-40°C to 125°C
Inflammability	UL94V0
Salt spray	96h
MATERIAL	
Shell	Aluminum alloy with zinc, nickel plating and anodic oxidation
Contacts	Copper alloy, silver plating
Insulator	Flame-retardant thermoplastic composition
Sealing	Rubber

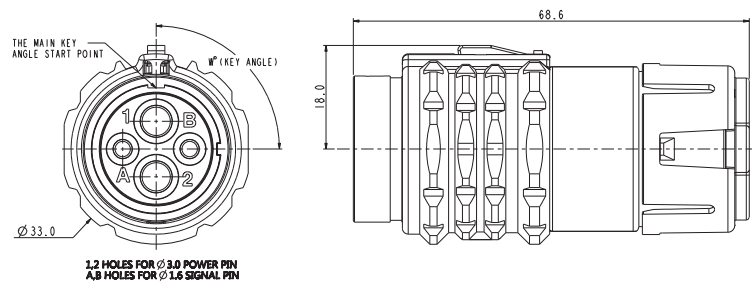
RECEPTACLE EX 402



All connectors do not include contacts. Please order them separately (ref: P/N below)

Socket contact ($\varnothing 3.0$): crimping	Socket signal contact ($\varnothing 1.6$)
P/N: EX30F4 (for 2.5 to 4 mm ²) P/N: EX30F6 (for 6 mm ²)	P/N: EX16F1

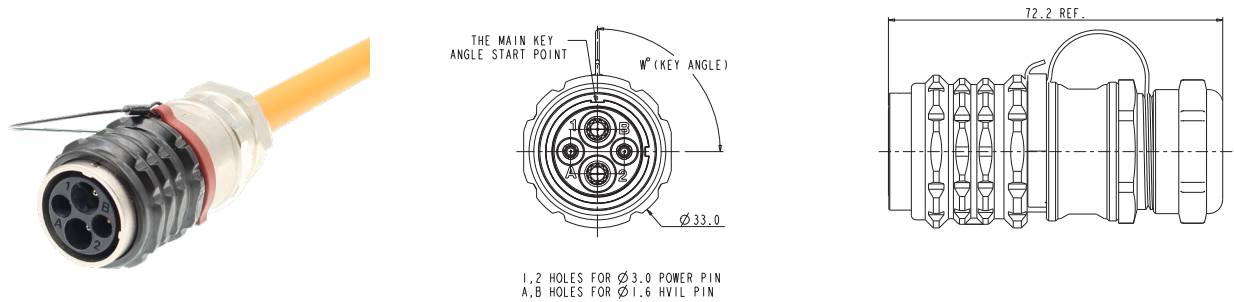
STRAIGHT PLUG EX 402 (Individual shielded wire)



All connectors do not include contacts. Please order them separately (ref: P/N below)

Pin contact ($\varnothing 3.0$): crimping	Pin signal contact ($\varnothing 1.6$)
P/N: EX30M4 (for 2.5 to 4 mm ²) P/N: EX30M6 (for 6 mm ²)	P/N: EX16M1

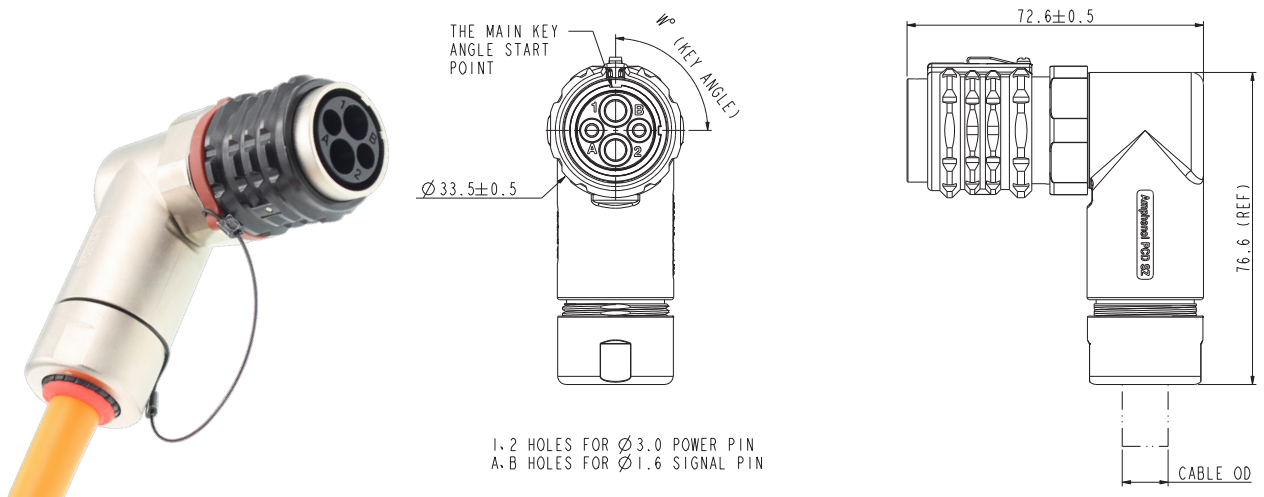
STRAIGHT PLUG EX 402 (Multicore shielded wire)



All connectors do not include contacts. Please order them separately (ref: P/N below)

Pin contact (Ø 3.0): crimping	Pin signal contact (Ø 1.6)
P/N: EX30M4 (for 2.5 to 4 mm ²) P/N: EX30M6 (for 6 mm ²)	P/N: EX16M1

RIGHT-ANGLE PLUG EX 402



All connectors do not include contacts. Please order them separately (ref: P/N below)

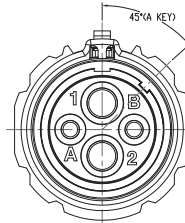
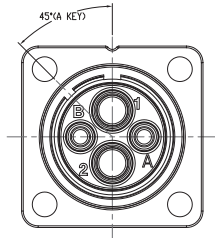
Pin contact (Ø 3.0): crimping	Pin signal contact (Ø 1.6)
P/N: EX30M4 (for 2.5 to 4 mm ²) P/N: EX30M6 (for 6 mm ²)	P/N: EX16M1

EX 402: ALTERNATE KEYING POSITIONS

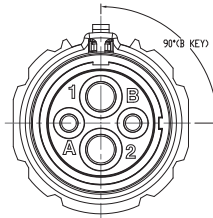
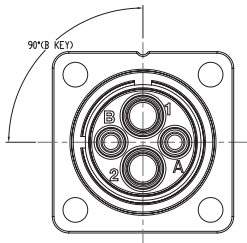
RECEPTACLE

STRAIGHT PLUG

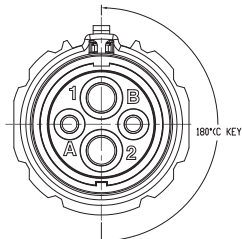
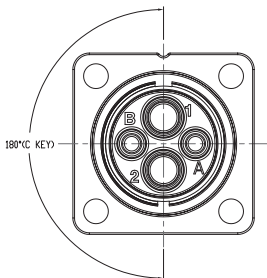
A: 45°



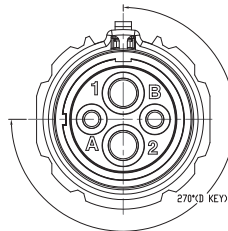
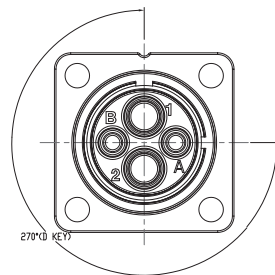
B: 90°



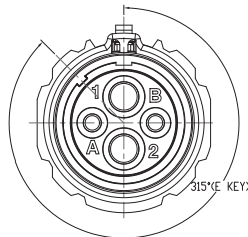
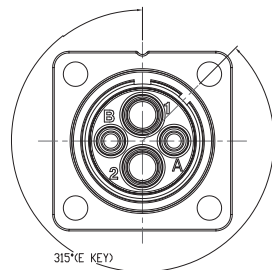
C: 180°



D: 270°



E: 315°

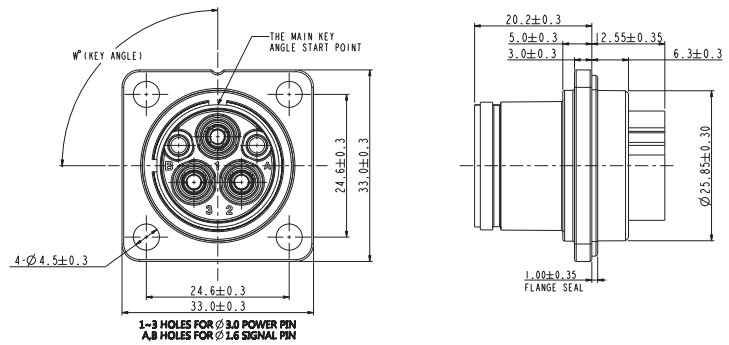


REMARK

To avoid cross-plugging problems in applications requiring the use of more than one connector of the same size and arrangement, alternate keying positions are available.

The shell key is rotated counter-clockwise. The plug would be rotated clockwise the same number of degrees in respect to the shell key.

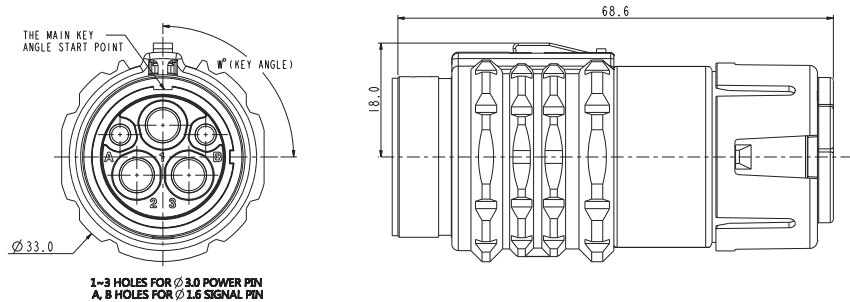
RECEPTACLE EX 403



All connectors do not include contacts. Please order them separately (ref: P/N below)

Socket contact ($\varnothing 3.0$): crimping	Socket signal contact ($\varnothing 1.6$)
P/N: EX30F4 (for 2.5 to 4 mm ²) P/N: EX30F6 (for 6 mm ²)	P/N: EX16F1

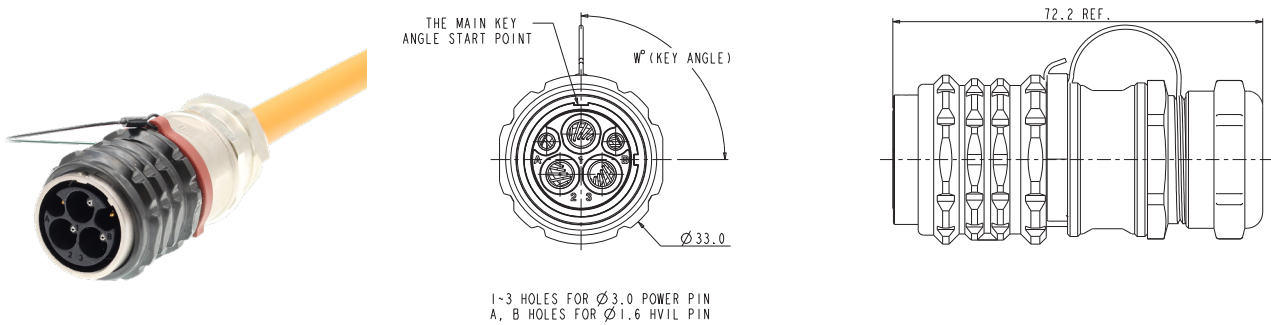
STRAIGHT PLUG EX 403 (Individual shielded wire)



All connectors do not include contacts. Please order them separately (ref: P/N below)

Pin contact ($\varnothing 3.0$): crimping	Pin signal contact ($\varnothing 1.6$)
P/N: EX30M4 (for 2.5 to 4 mm ²) P/N: EX30M6 (for 6 mm ²)	P/N: EX16M1

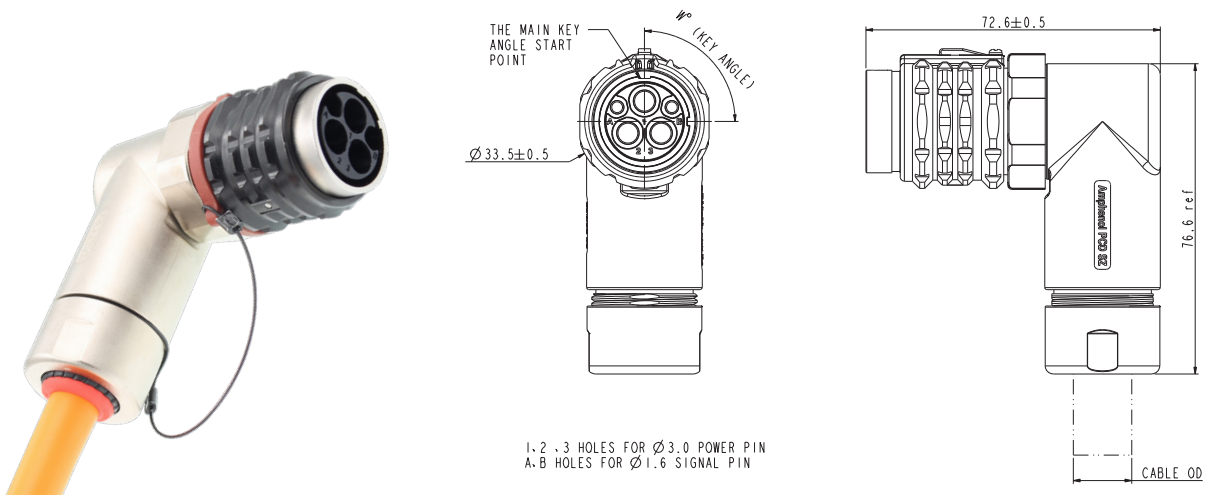
STRAIGHT PLUG EX 403 (Multicore shielded wire)



All connectors do not include contacts. Please order them separately (ref: P/N below)

Pin contact (Ø 3.0): crimping	Pin signal contact (Ø 1.6)
P/N: EX30M4 (for 2.5 to 4 mm ²) P/N: EX30M6 (for 6 mm ²)	P/N: EX16M1

RIGHT-ANGLE PLUG EX 403



All connectors do not include contacts. Please order them separately (ref: P/N below)

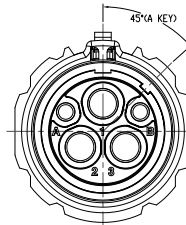
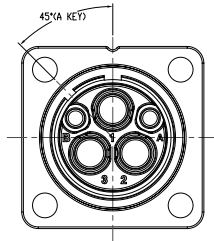
Pin contact (Ø 3.0): crimping	Pin signal contact (Ø 1.6)
P/N: EX30M4 (for 2.5 to 4 mm ²) P/N: EX30M6 (for 6 mm ²)	P/N: EX16M1

EX 403: ALTERNATE KEYING POSITIONS

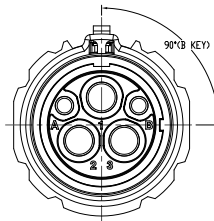
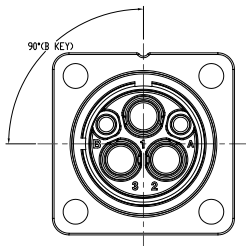
RECEPTACLE

STRAIGHT PLUG

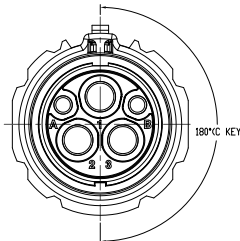
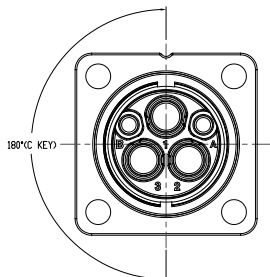
A: 45°



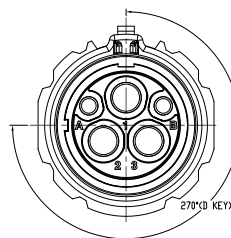
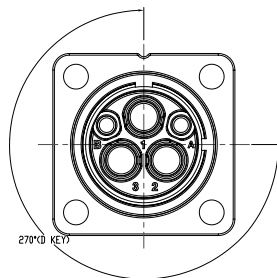
B: 90°



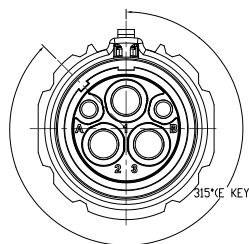
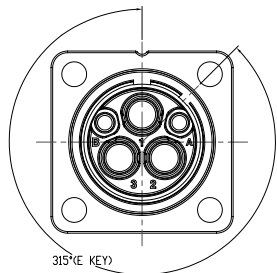
C: 180°



D: 270°



E: 315°



REMARK

To avoid cross-plugging problems in applications requiring the use of more than one connector of the same size and arrangement, alternate keying positions are available.

The shell key is rotated counter-clockwise. The plug would be rotated clockwise the same number of degrees in respect to the shell key.

HOW TO ORDER

STRAIGHT PLUG (Individual shielded wire)

EX	402	06	A	1	2	I
Product series: 402 (2 pin), 403 (3 pin)						
Product type: 06: Straight plug						
Alternate keying positions & Locking nut color: A: Coding A, Red D: Coding D, Green B: Coding B, Black E: Coding E, Blue C: Coding C, Yellow						
Interlock 0: Without interlock 1: With internal interlock 2: With external interlock						
Cable section: 2: 2.5mm ² (23A) 4: 4.0mm ² (32A) 6: 6.0mm ² (40A)						
Cable type: I: Individually						



STRAIGHT PLUG (Multicore shielded wire)

EX	402	06	A	M
Product series: 402 (2 pin), 403 (3 pin)				
Product type: 06: Straight plug				
Alternate keying positions & Locking nut color: A: Coding A, Red D: Coding D, Green B: Coding B, Black E: Coding E, Blue C: Coding C, Yellow				
Cable type: M: Multicore				



	EX	402	08	A	1	11	M
Product series: 402 (2 pin), 403 (3 pin)							
Product type: 08: Right-angle plug							
Alternate keying positions & Locking nut color: A: Coding A, Red D: Coding D, Green B: Coding B, Black E: Coding E, Blue C: Coding C, Yellow							
Interlock 0: Without interlock 1: With internal interlock 2: With external interlock							
Cable section: 11: Cable OD 10 to 10.8mm 13: Cable OD 11.9 to 12.8mm 12: Cable OD 10.9 to 11.8mm 14: Cable OD 12.9 to 14mm							
Cable type: M: Multicore							



RECEPTACLE

	EX	402	02	A			
Product series: 402 (2 pin), 403 (3 pin)							
Product type: 02: Flange receptacle							
Alternate keying positions & Locking nut color: A: Coding A, Red D: Coding D, Green B: Coding B, Black E: Coding E, Blue C: Coding C, Yellow							

