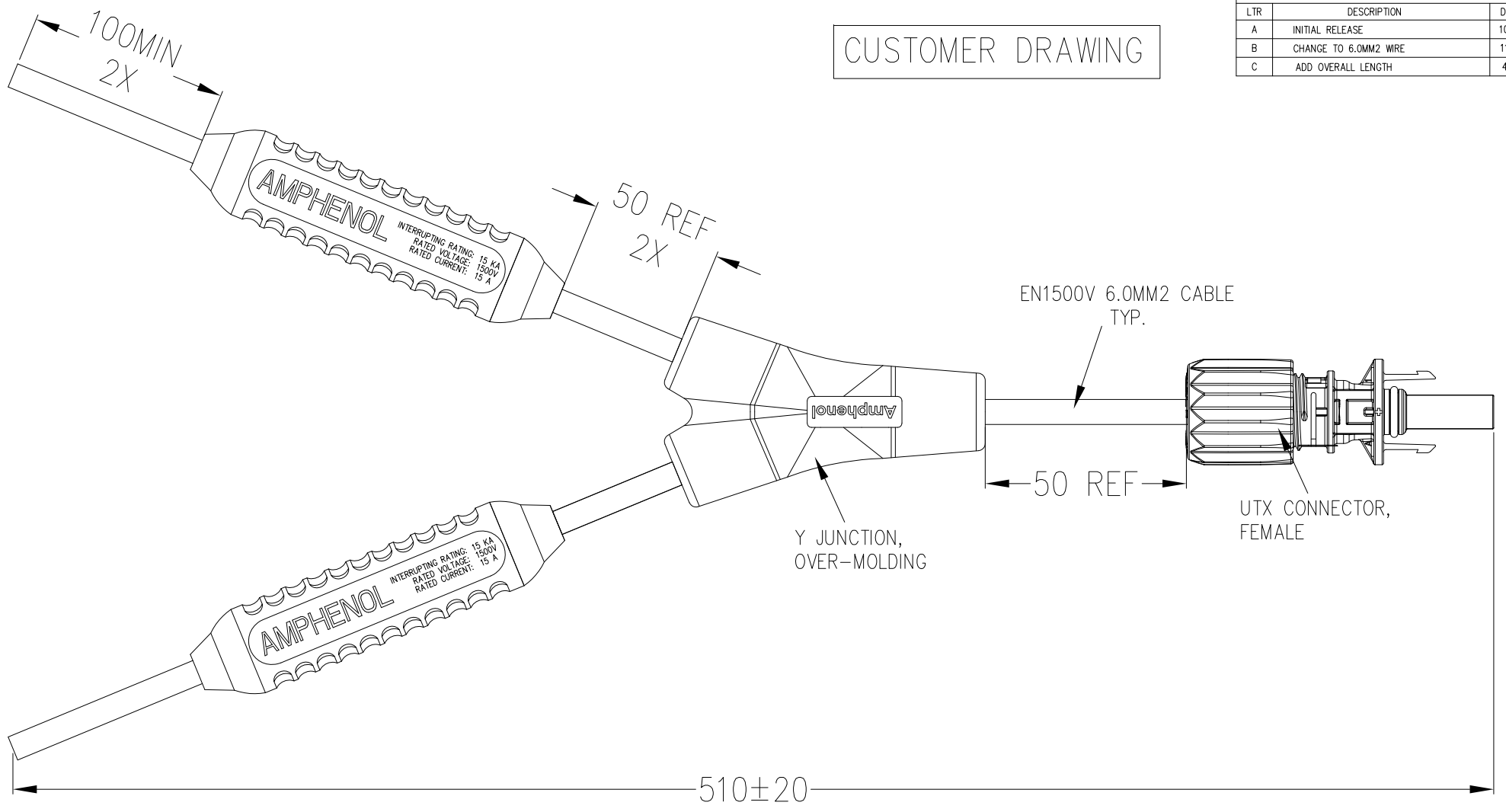


REV. C	1 OF 1	DOCUMENT NO. PV-517003-14
REVISIONS		
LTR	DESCRIPTION	DATE
A	INITIAL RELEASE	10/23/18
B	CHANGE TO 6.0MM2 WIRE	11/19/18
C	ADD OVERALL LENGTH	4/19/19

CUSTOMER DRAWING



- 2. OVERALL LENGTH 500MM AS A REFERENCE.
- 1. ALL MATERIALS SHALL BE CERTIFIED COMPLIANT TO THE LATEST RoHS DIRECTIVE.

NOTES:

THIS DOCUMENT CONTAINS PROPRIETARY INFORMATION AND SUCH INFORMATION MAY NOT BE DISCLOSED TO OTHERS FOR ANY PURPOSE OR USED FOR MANUFACTURING PURPOSES WITHOUT WRITTEN PERMISSION FROM THE AMPHENOL CORP.

N/A	PRO/ENGINEER INFORMATION
N/A	Pro/e Model Used:
	Drawing Name:
	PRO/INTRALINK INFORMATION
	RELEASE STATE
	REVISION
	VERSION

UNLESS OTHERWISE SPECIFIED		SPECIFICATIONS		ITEM	QTY	PART NUMBER	DESCRIPTION	NOTE
LINEAR DIMENSIONS ARE IN: MILLIMETERS		MATERIAL SPEC.		APPROVALS		DATE	PARTS LIST	
TOLERANCES: .x= ±0.2 ANGLES= ±2° NO DEFAULT LINEAR TOLERANCES		N/A		PREPARED BY:	Eddie	10/23/18	Amphenol Technology (Shenzhen) Co., Ltd Building C, 2nd Industrial Zone of Xia Shi Jia, Jiangshi Community, Gongming Sub-district, Guangming New District, Shenzhen, PRC	
DIM. & TOL. PER ASME Y14.5M-1994; DRM PER MIL-DTL-31000; OTHER AMPHENOL STANDARDS: 9-9318		PROCESS SPEC.		ENGINEER IN CHARGE:	Eddie		Y TYPE OVERMOLD CABLE ASSEMBLY, FEMALE, WITH FUSE 1500V 15A	
LEGENDS: =FLAG NOTE CALL OUT REFERENCE ONLY		N/A		DESIGN MANAGER:	Gary		SIZE A2 CAGE CODE - DOCUMENT NO. PV-517003-14 REV. C	
				DESIGN ACTIVITIES GROUP	C&I		SCALE: N/A REF. SHEET 1 OF 1	
				THIRD ANGLE PROJECTION				