

### HVC 6.3mm 2 poles connector(180° )

High voltage, high current , 6mm<sup>2</sup> wire, metal shielded, HVIL

#### Part-No.:

- Plug:  
HVC2P63TFSX06  
(6MM<sup>2</sup>)  
X indicates code 1/2/3/4/5/6/0
- Socket:  
HVC2P63TMVX06  
X indicates code 1/2/3/4/5/6

#### Mating design:

- Locking assurance by CPA

#### Terminal system:

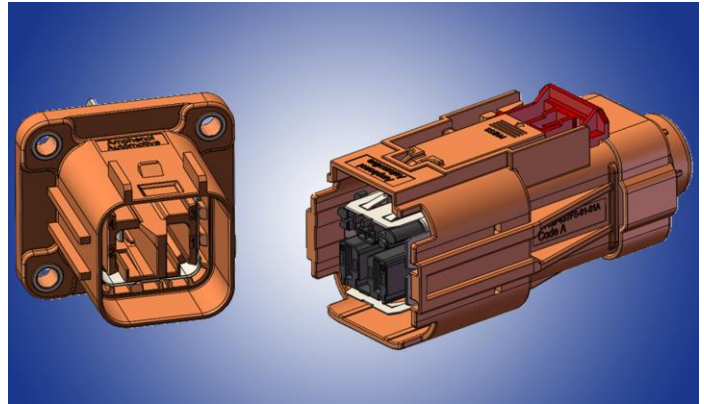
- Pin Number: 2 (+2 HVIL)
- Terminal 0.8 x 6.3 mm , Silver plated
- Conductor Cross-sections: Meet LV216-2,6.0 mm<sup>2</sup> ; Outer Ø 12.8 +0/-0.6mm, Inner layer outer- Ø 9.7 +0/-0.4mm, shielding
- HVIL contact system , 0.35mm<sup>2</sup>

#### General:

- IP67, IP6K9K (mated), IPXXD(Mated)
- IPXXB (unmated)
- 360° shielding

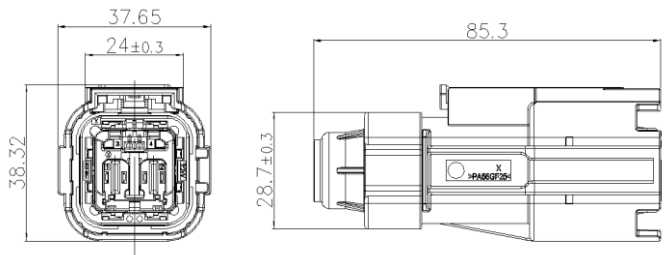
#### Standard:

- LV215

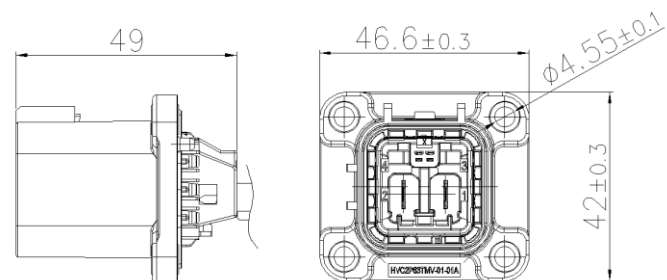


#### Dimensional characteristics:

##### Plug:



##### Socket:



#### Performance characteristics:

- Max. rated voltage:750V DC
- Temperature range: -40°C to+125°C
- Bridged in the connector
- Current Carrying Capacity: 40 A@85 °C
- CPA:Yes
- TPA:Yes
- Fire Classification:V0
- Vibration Level:V2(LV215)

#### Construction:

- Housing material: PA66-GF UL94-V0, RAL2003
- Terminal material : Copper alloy
- RFI/EMI protection: Metal shielding