

Excel|Mate PT (HVPT M)

HVPT M

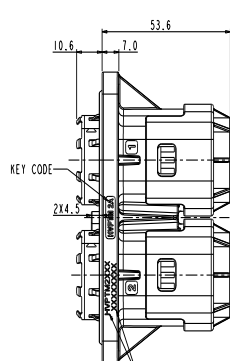
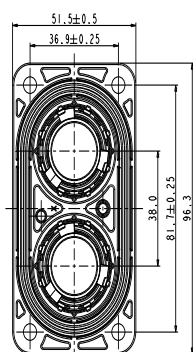


KEY FEATURES

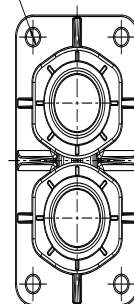
- Easy to install, reliable connection
- Sealing, IP67 (mated), IP6K9K
- Multiple coding positions
- 360° shielded from wire to device
- Economical

MECHANICAL	
Wire range	70 to 150 mm ² shielded wire
Connection type	Crimp
ELECTRICAL	
Voltage rating (cable)	1000V DC
Insulator resistance	> 200MΩ
Shielding	360° from wire to device
ENVIRONMENTAL	
Sealing	IP67, IP6K9K (mated)
Temperature range	-40°C to 125°C
Salt spray	96 hours
STANDARDS	
RoHS	
MATERIAL	
Housing	Metal

HVPT M 2-PIN

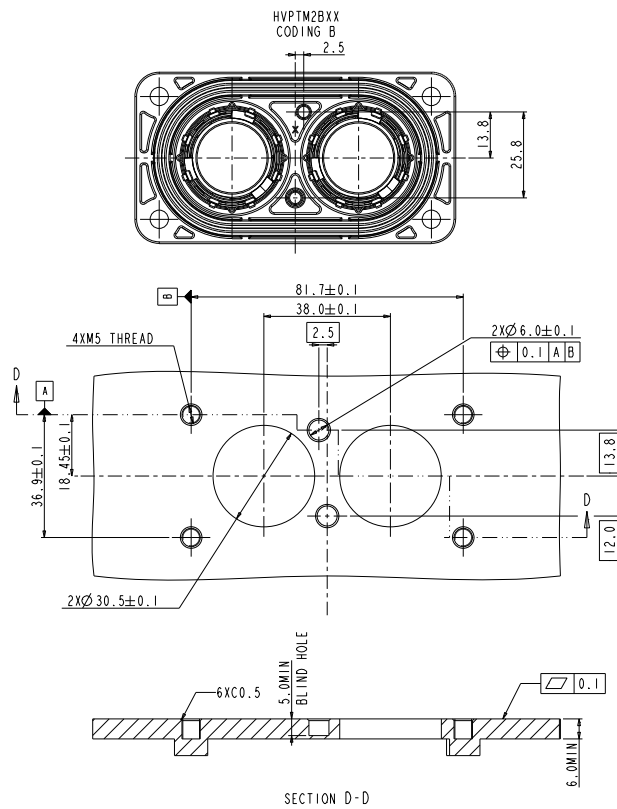
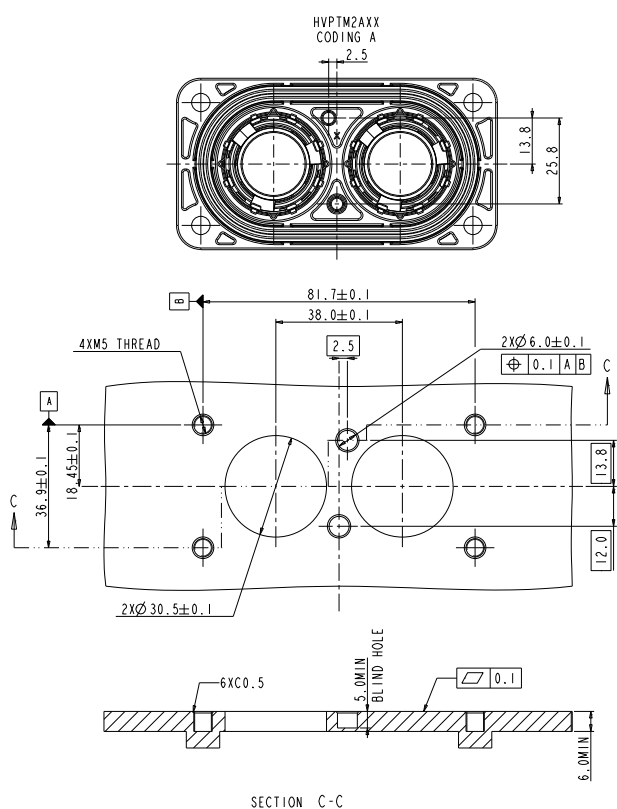


MS SCREW AND WASHER APPLICABLE
4XØ5.5

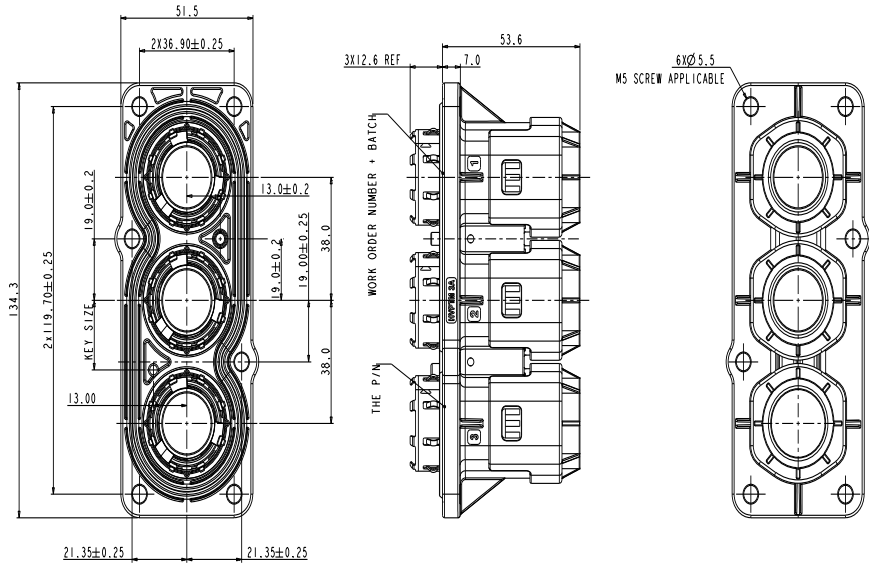


PRINTING CONTENT:
THE FIRST ROW IS P/N (PRINT THE FULL CODE)
THE SECOND ROW IS WORK ORDER NUMBER + BATCH

PANEL MOUNTING DIMENSION

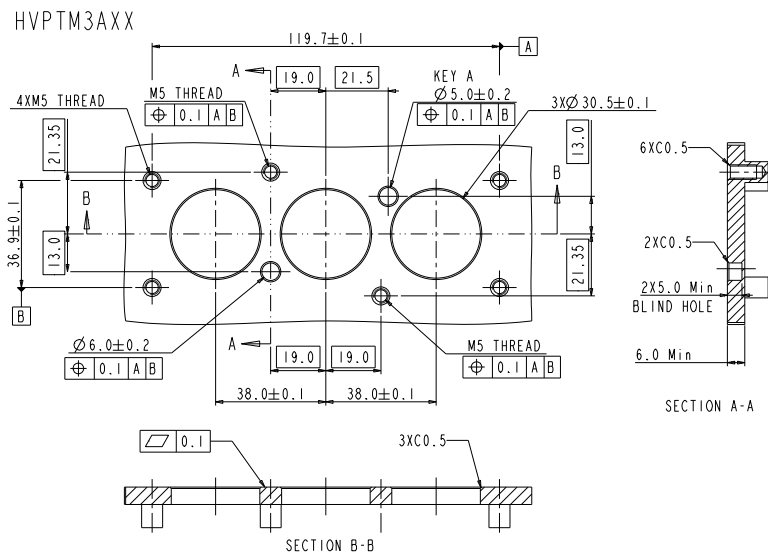


HVPT M 3-PIN

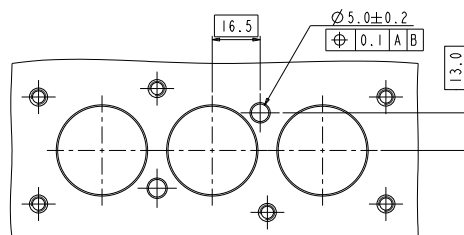


PANEL MOUNTING DIMENSION

MOUNTING PANEL RECOMMENDATION



HVPTM3BXX



HOW TO ORDER: PLUG

	HVPT M	2	A	01
Position:				
2:	2 positions			
3:	3 positions			
Coding:				
A:	Coding A			
B:	Coding B			
Wire type:				
01:	95mm ² shielded wire			
02:	120mm ² shielded wire			
03:	70mm ² shielded wire			
04:	150mm ² shielded wire			