

HVC 8mm single pole connector (90°)

High voltage, high current, 16mm²~50mm² Unshielded Wire

Part-No:

→ Plug:

- HVSC1P80FVX16 (16 mm²)
- HVSC1P80FVX25 (25 mm²)
- HVSC1P80FVX35 (35 mm²)
- HVSC1P80FVX50 (50 mm²)

→ Socket:

- HVSC1P80MVX01 (M6)
- "X" indicates code 1/2/3/4

Mating design:

- Serviceable locking leg
- Locking assurance by CPA
- Operation with handle

Terminal system:

- 1x Ø 8 mm Radsok, silver plated
- Wire size 16/25/35/50mm², Unshielded

Terminal technology:

- Crimping for power termination
- Screw fasten for power terminal

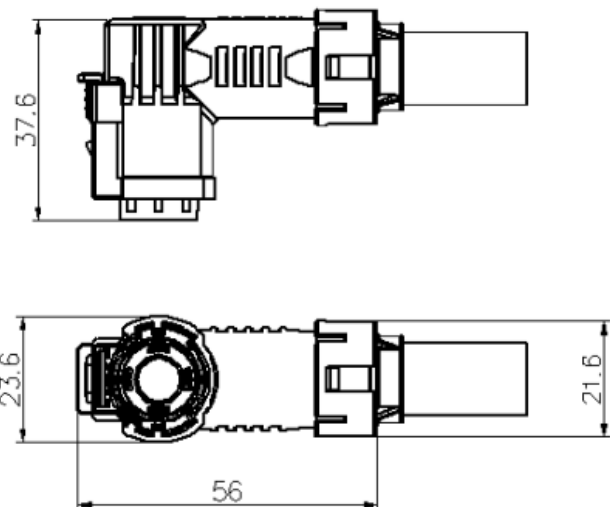
General:

- IP67, IP6K9K(mated)
- IPXXB (unmated)
- coding: A/B/C/D
- Plug type: 90°

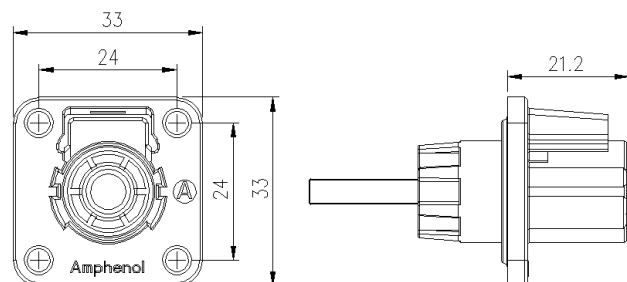


Dimensional characteristics:

Plug:



Socket :



Performance characteristics:

- Unmating force : ≤ 100N
- Temperature range : -40°C to +140°C
- Max. rated voltage : 1000V DC
- Mating cycles : 50min
- Max. current : 220A

Construction:

- Housing material : PA66-GF, V0, orange
- Terminal material : Copper alloy