

The solderless surface mount Micro-D (SSMM) is a new Micro PCB connector using Amphenol surface mount clip Technology and is fully intermateable with standard M83513 connectors. Connection to the board is made by spring loaded contacts which required contact pads instead of a traditional through holes, thus reducing the footprint of the connector. When PCB design space is critical, the smaller footprint allows more space for other board level components or smaller board. The solder-less surface mount Micro-D (SSMM) also eliminates the need for washing and soldering processes saving time and cost in PCB assembly.



HANDLING

As these connectors have delicate contacts:

- Handle connector by the outer edges being careful to avoid touching the spring contacts.
- Do not touch spring contacts with fingers, tools, wipes, or any other devices.
- Latex gloves or finger cots must be used when handling and installing connectors. Do not use cotton gloves when handling the connectors.
- Return connectors to their original containers, if removed for incoming inspection purposes.
- Do not expose connectors to liquid or dry chemicals
- For long-term storage: store connectors in a clean, dry environment at a temperature between 40°-80°F (4°-26.67° C), and 30%-60% relative humidity.

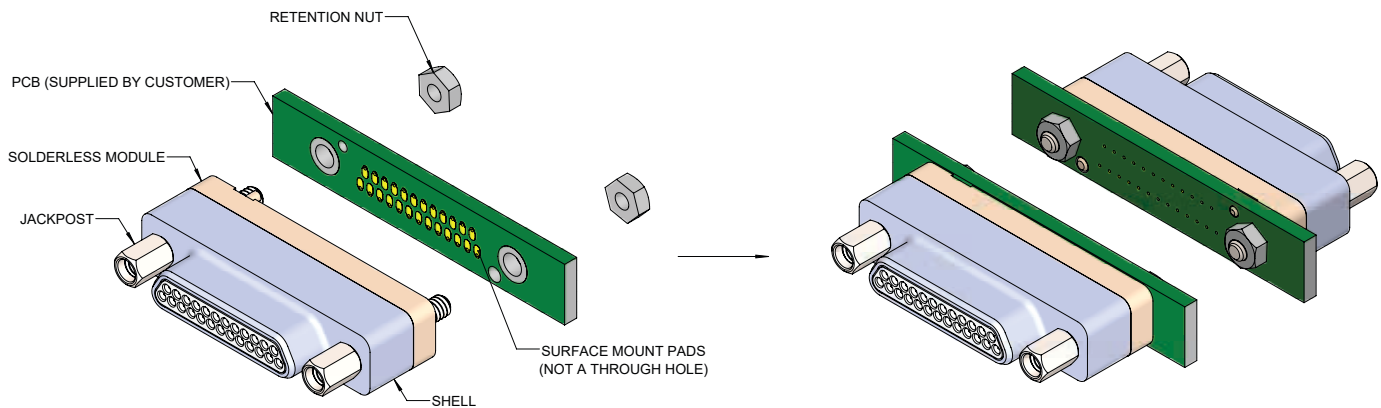


TABLE 1: SPECIFICATIONS

LLCR	60, 63, 67 mΩ Max Depending on wire size
D.W.V	500 VAC / No DWV required after humidity
I.R	1000 MΩ
Current Rating	0.5A
Shock	50 G Half-Sine
Vibration	Frequency Ranges: 50 to 2000 Hz Peak Level: 10gn for 45 minutes in each axis
Thermal Shock	-55°C TO +80°C
Humidity	2000 hours total 25°C to 80°C at 80% RH TO 47% RH respectively for 2 hours at each temperature
Salt Spray	N/A
Magnetic Permeability	N/A

MICRO-D SOLDER-LESS SURFACE MOUNT SERIES SSMM

How to Order

FEATURES

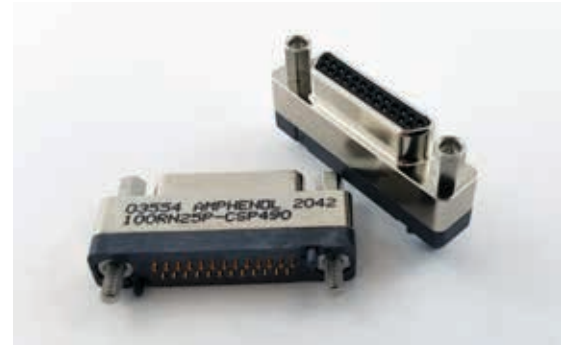
- Space savings
- Cost-optimized
- High-Quality
- Increased in contact density
- Increased space on opposite side of PCB for more components

1.	2.	3.	4.	5.	6.	7.	8.
Connector Series	Insulator Material	Shell Finish	Connector Size	Contact Type	Type	Hardware	Jackpost Length
100	R	N	25	P-	CS	P	490

1. Connector Series		2. Insulator Material		3. Shell Finish		4. Connector Size (Number of Contacts)	
100	Metal Shell Per MIL-DTL-83513	R	Polyphenylene Sulfide (Ryton)	A	Anodize (Black)	09	
				C	Cadmium (Black Chromate)	15	
				G	Gold	21	
				N	Electroless Nickel	25	
				T	Nickel Teflon	31	
				K	Zinc Nickel	37	

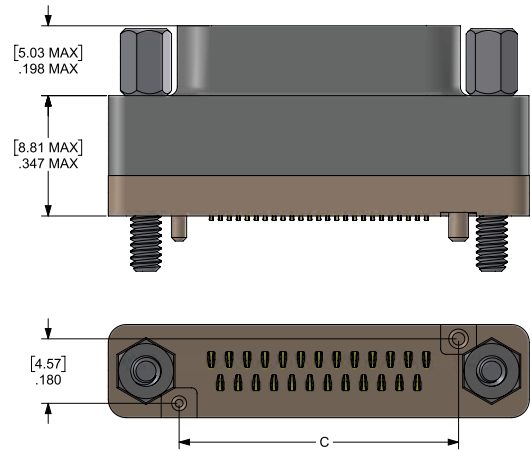
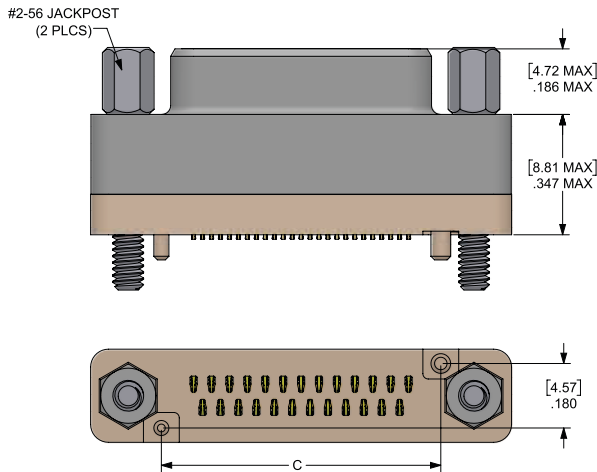
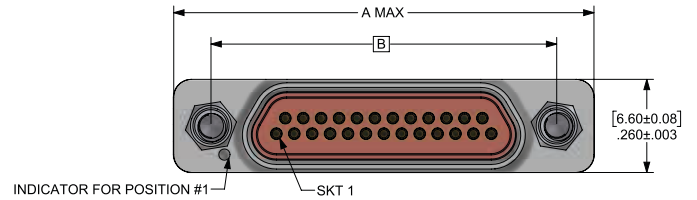
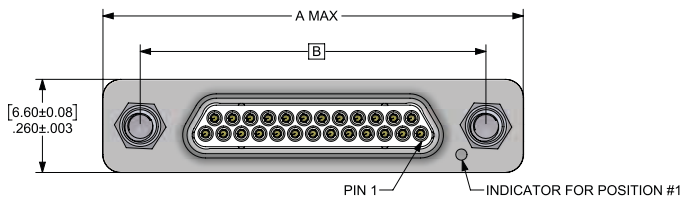
5. Contact Type		6. Type		7. Hardware		8. Jackpost Length	
P-	Plug (Pin)	CS	Solder-less	P-	Jackpost	.490	.490" Long
S-	Receptacle (Socket)					.520	.520" Long

MICRO-D



PLUG

RECEPTACLE



Dimensions are in inch(mm)

SIZE	A MAX	B	C
09	.776 (19.71)	.565 (14.35)	.380
15	.926 (23.52)	.715 (18.16)	.530
21	1.076 (27.33)	.865 (21.97)	.680
25	1.176 (29.87)	.965 (24.51)	.780
31	1.326 (33.68)	1.115 (28.32)	.930
37	1.476 (37.49)	1.265 (32.13)	1.080

MICRO-D SOLDER-LESS SURFACE MOUNT SERIES SSMM

SSMM TERMINATION TYPE PC CONFIGURATION

MICRO-D

