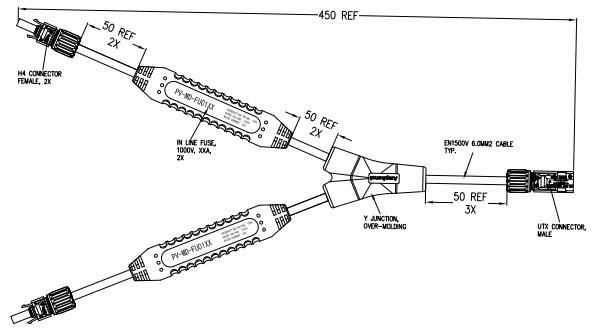
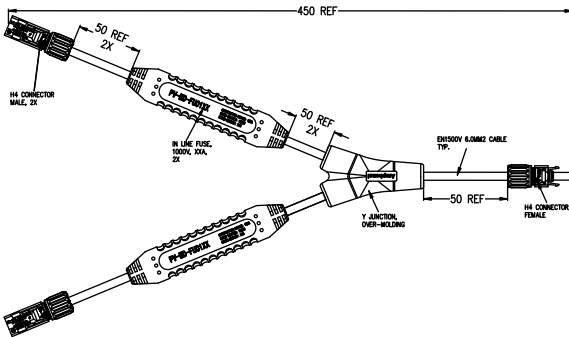



Y Branch Harness with In-line Fuse, 1000V



Description	Specification
Cable Conductor	6.0mm ² /10AWG
Rated Voltage	1000VDC
Rated Current	Same to fuse rating
Degree of Protection	IP67(mated)
Ambient Temperature Range	-40°C to +50°C
Over-molding Material	TPV, UL 94 V-0
Cable Bending Radius	30mm



Order No.	Safety (A/V)	Type of Connector	Cable Size	Cable Length (mm)	Certifications
MDH-10-66-1Y04-H4-P	04/1000	H4	6.0mm ² /10AWG	50	 Total Quality. Assured. IEC/EN 62093 UL9703
MDH-10-66-1Y04-H4-N	04/1000	H4	6.0mm ² /10AWG	50	
MDH-10-66-1Y10-H4-P	10/1000	H4	6.0mm ² /10AWG	50	
MDH-10-66-1Y10-H4-N	10/1000	H4	6.0mm ² /10AWG	50	
MDH-10-66-1Y15-H4-P	15/1000	H4	6.0mm ² /10AWG	50	
MDH-10-66-1Y15-H4-N	15/1000	H4	6.0mm ² /10AWG	50	
MDH-10-66-1Y20-H4-P	20/1000	H4	6.0mm ² /10AWG	50	
MDH-10-66-1Y20-H4-N	20/1000	H4	6.0mm ² /10AWG	50	