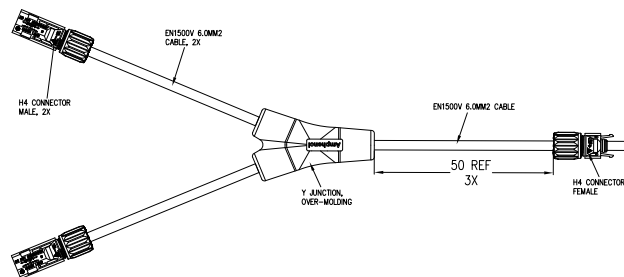
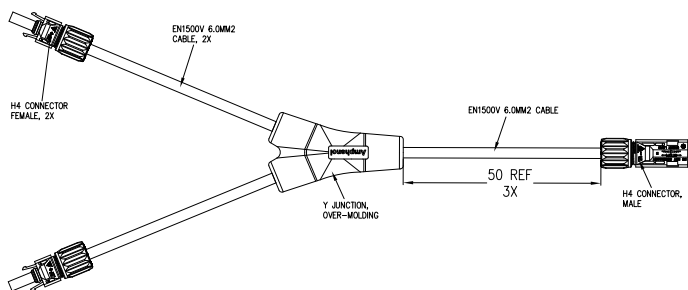


## Y Branch Harness



Description	Specification
Cable Size	6.0mm <sup>2</sup> /10AWG
Rated Voltage	1000VDC/1500V DC
Rated Current	Input 15A, output 30A
Ingress Protection	IP67(mated)
Ambient Temperature Range	-40°C to +85°C
Over-Molding Material	TPV, UL 94 V-0
Cable Bending Radius	30mm

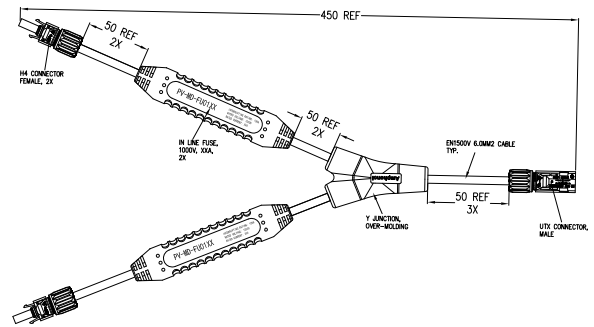
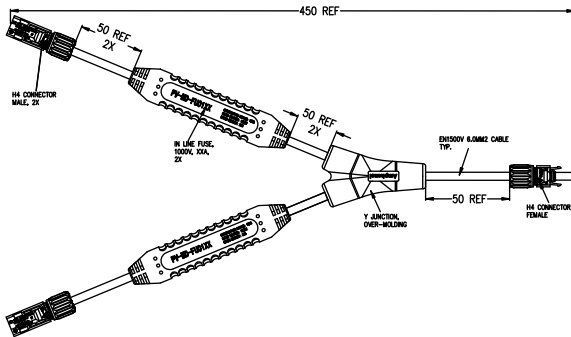



Order No.	Safety(V)	Type of Connector	Cable Size	Cable Length (mm)	Certifications
MDH-10-66-1Y-H4-P	1000	H4	6.0mm <sup>2</sup> /10AWG	50	 IEC/EN 62093 UL9703
MDH-10-66-1Y-H4-N	1000	H4	6.0mm <sup>2</sup> /10AWG	50	
MDH-20-66-1Y-H4S-P	1500	H4 Plus	6.0mm <sup>2</sup> /10AWG	50	
MDH-20-66-1Y-H4S-N	1500	H4 Plus	6.0mm <sup>2</sup> /10AWG	50	

## Y Branch Harness with In-line Fuse, 1000V



Description	Specification
Cable Conductor	6.0mm <sup>2</sup> /10AWG
Rated Voltage	1000VDC
Rated Current	Same to fuse rating
Degree of Protection	IP67(mated)
Ambient Temperature Range	-40°C to +50°C
Over-molding Material	TPV, UL 94 V-0
Cable Bending Radius	30mm

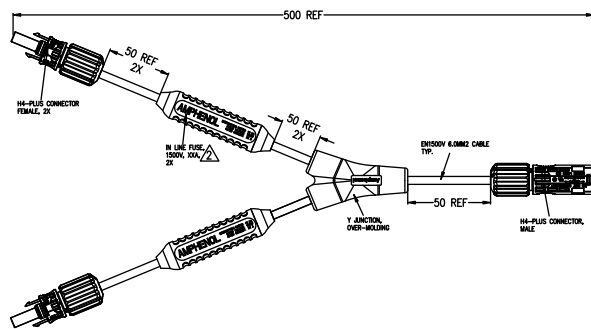
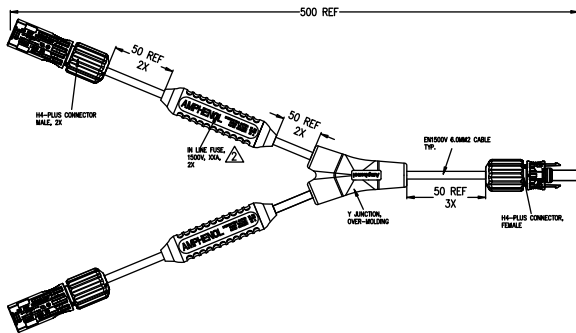



Order No.	Safety (A/V)	Type of Connector	Cable Size	Cable Length (mm)	Certifications
MDH-10-66-1Y04-H4-P	04/1000	H4	6.0mm <sup>2</sup> /10AWG	50	 Total Quality. Assured. IEC/EN 62093 UL9703
MDH-10-66-1Y04-H4-N	04/1000	H4	6.0mm <sup>2</sup> /10AWG	50	
MDH-10-66-1Y10-H4-P	10/1000	H4	6.0mm <sup>2</sup> /10AWG	50	
MDH-10-66-1Y10-H4-N	10/1000	H4	6.0mm <sup>2</sup> /10AWG	50	
MDH-10-66-1Y15-H4-P	15/1000	H4	6.0mm <sup>2</sup> /10AWG	50	
MDH-10-66-1Y15-H4-N	15/1000	H4	6.0mm <sup>2</sup> /10AWG	50	
MDH-10-66-1Y20-H4-P	20/1000	H4	6.0mm <sup>2</sup> /10AWG	50	
MDH-10-66-1Y20-H4-N	20/1000	H4	6.0mm <sup>2</sup> /10AWG	50	

## Y Branch Harness with In-Line Fuse, 1500V



Description	Specification
Cable Conductor	6.0mm <sup>2</sup> /10AWG
Rated Voltage	1500V DC
Rated Current	Same as fuse rating
Degree of Protection	IP67(mated)
Ambient Temperature Range	-40°C to +50°C
Over-Molding Material	TPV, UL 94 V-0
Cable Bending Radius	30mm



Order No.	Safety (A/V)	Type of Connector	Cable Size	Cable Length (mm)	Certifications
MDH-20-66-1Y04-H4S-P	04/1500	H4 Plus	6.0mm <sup>2</sup> /10AWG	50	 Total Quality. Assured. IEC/EN 62093 UL9703
MDH-20-66-1Y04-H4S-N	04/1500	H4 Plus	6.0mm <sup>2</sup> /10AWG	50	
MDH-20-66-1Y10-H4S-P	10/1500	H4 Plus	6.0mm <sup>2</sup> /10AWG	50	
MDH-20-66-1Y10-H4S-N	10/1500	H4 Plus	6.0mm <sup>2</sup> /10AWG	50	
MDH-20-66-1Y15-H4S-P	15/1500	H4 Plus	6.0mm <sup>2</sup> /10AWG	50	
MDH-20-66-1Y15-H4S-N	15/1500	H4 Plus	6.0mm <sup>2</sup> /10AWG	50	
MDH-20-66-1Y20-H4S-P	20/1500	H4 Plus	6.0mm <sup>2</sup> /10AWG	50	
MDH-20-66-1Y20-H4S-N	20/1500	H4 Plus	6.0mm <sup>2</sup> /10AWG	50	