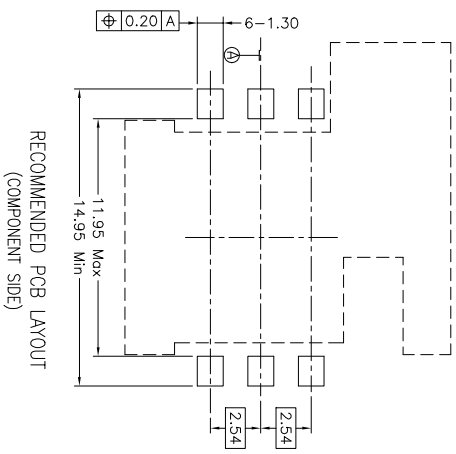
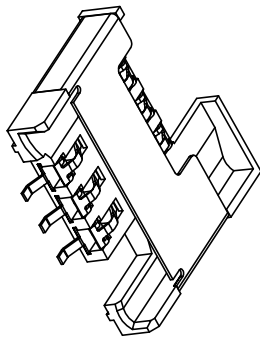
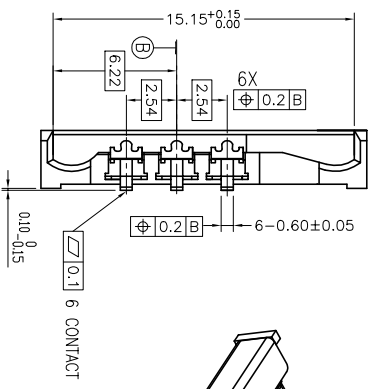
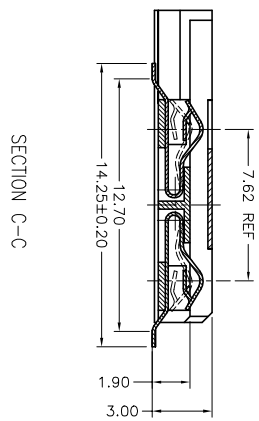
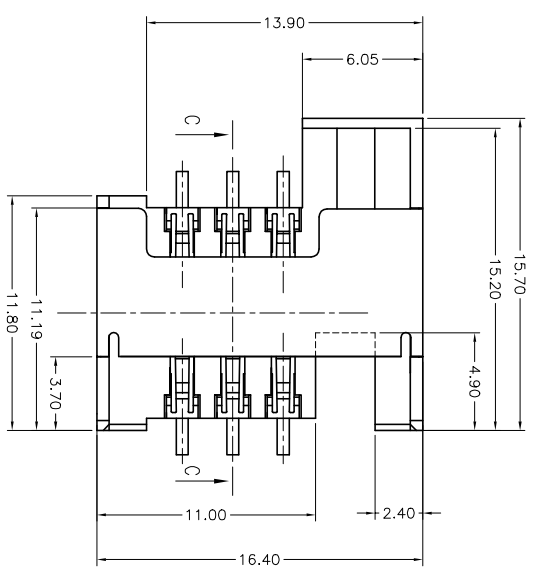


This document is the property of Amphenol Corporation and is delivered on a non-exclusive basis. It is to be used for manufacturing or sale by anyone other than Amphenol or its authorized agents. Amphenol Corporation reserves the right to change the design or to use any information in this document without notice.



Order Number:
CAD-06W3-30X

- 0-Unplated;
- 1-0.76um MIN Gold
- 2-0.38um MIN Gold
- 3-Gold Flash,0.025um MIN

NOTE:

1. Contacts chip cards according to ISO7816 and Plug In SIM-Cards.
2. Material:
 - a.Housing: 30% GLASS-FILLED THERMOPLASTIC
 - b.Contact: Phosphor Bronze C5191R-H
 - Finish of contact: Au over,the gold plating thickness refers to part number system
 - 2um MIN Ni underplated
 - 4um SnPb over Soldering point
 - 2um MIN Ni underplated
 - c.Plate: stainless steel
 - Finish of plate: 2um MIN all Sn
 - 2um MIN Ni underplated
 - d.Contact normal force for 0.4N MIN.
3. Packing:Tape&Reel,See packing method.

REVISIONS		DATE	APPROVED
SM	ECN#		
A	HK---	10/24/03	IP
RELEASE TO CUSTOMER			

UNLESS OTHERWISE SPECIFIED
TOLERANCES
U.S. METRIC

X +/-
XX +/-
XXX +/-
ANGLES +/-
2.5°
REMOVE SHARP EDGES
SEE NOTES

DIMENSIONS
U.S. INCHES
METRIC (MM)

APPROVAL	DATE
DRAWN	CHECKED

TITLE
6 Pin Wingblock
Smartcard Connector

SIZE	DRAWING NO.	REV.
A3	CAD-06W3-30X	A
SCALE	NONE	SHEET 1 OF 1

CUSTOMER DRAWING