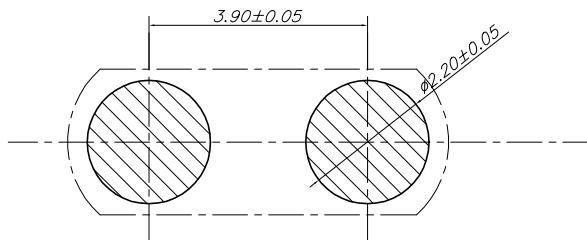
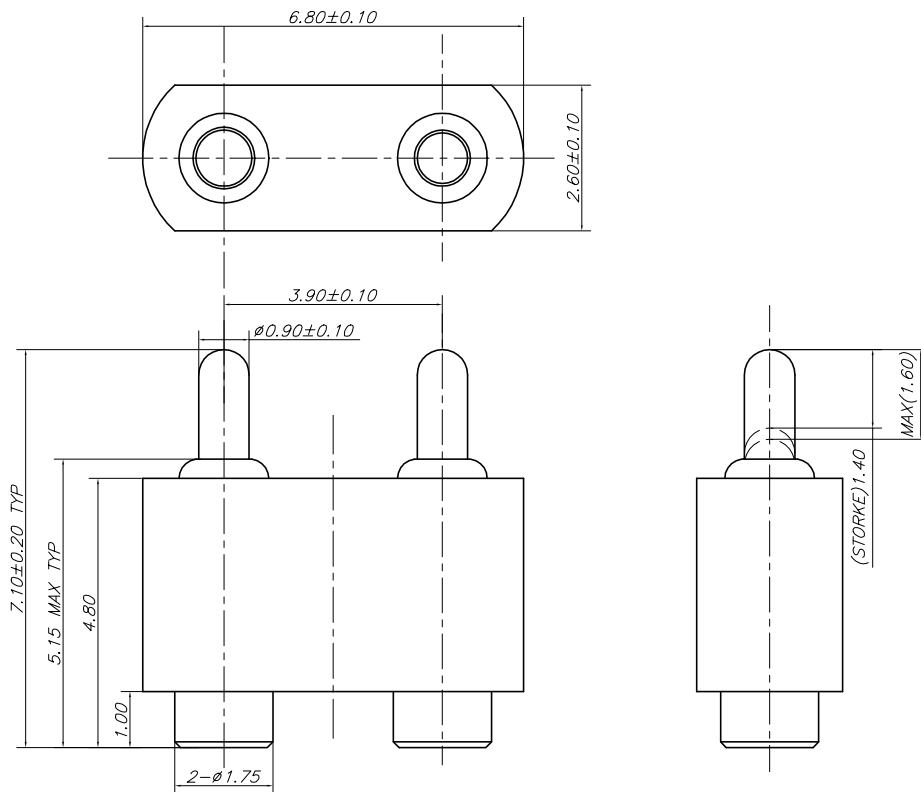


This document is the property of Amphenol Corporation and is delivered on the express condition that it is not to be disclosed, reproduced or used, in whole or in part, for manufacture or sale by anyone other than Amphenol Corporation without its prior consent, & that no right is granted to disclose or to use any information in this document.

REVISIONS				
SYM	ECN	DESCRIPTION	DATE	APPROVED
A	HK----	FIRST ISSUE		lp



Recommended PCB Lay-out

NOTE:

1. Temperature range: -40~+85°C.
2. Characteristics:
 - A. Electrical
 - 1) Operating voltage: 20V max.
 - 2) Operating current: 2A.
 - 3) Contact resistance: 50mohm MAX.
 - 4) Insulation resistance: 10,000Mohm.
 - B. Mechanical
 - 1) Total working travel: 1.40mm.
 - 2) Spring force: 100g Min at normal working level.
 - 3) Mechanical life: 5k cycle min.
 - C. Material
 - 1) Plunger and solder contact:
Plunger: Brass, plating 0.3um Au over 0.25um Ni.
solder contact: Brass, plating flash 0.1um Au.
 - 2) Spring: Beryllium copper wire, plating flash 0.1um Au.
 - 3) Housing: 30% glass filled thermoplastic LCP black UL94V-0
 - D. Environmental
 - 1) Storage and operating temperature range:
-40~+70°C.
 - 2) Humidity range: %10 RH to 90% RH.
3. Qualification requirement
 - A. Temperature shock:
-40~+85°C, 32 cycles, 30 min DWELL.
20 sec max. transition.
 - B. Static humidity: 70°C, 90% RH for 250 hours.
 - C. Solder heat resistance:
250°C, 2 min exposure, no degradation.
 - D. Solderability:
95% coverage after 5 sec dip in a 230
4. Order number is BATP-0201-001.

Customer drawing

UNLESS OTHERWISE SPECIFIED TOLERANCES U.S. METRIC .X +/- 0.30 .XX +/- 0.20 .XXX +/- 0.10 FRACTIONS +/- ANGLES +/- 1° SEE NOTES	APPROVAL	DATE	Amphenol Amphenol East Asia Limited Manufacturing Operation
	DRAWN		
	CHECKED		
	CHECKED		
FOR MATERIALS AND FINISHES SEE NOTES	DRAWING FILE : DRAWING\SP\CBATP-0201-001.DWG		TITLE
REMOVE SHARP EDGES	ANGLE OF PROJECTION		BATTERY CONNECTOR OF 2 PIN POGO
DIMENSIONS			SIZE DRAWING NO.
U.S. INCHES			A3 C BATP-0201-001
(METRIC) (MM)			REV. A
	SCALE	NONE	SHEET 1 OF 1