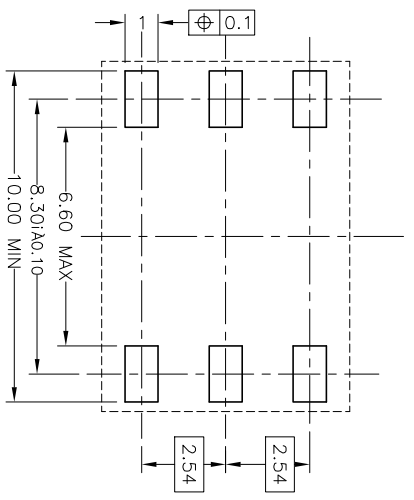
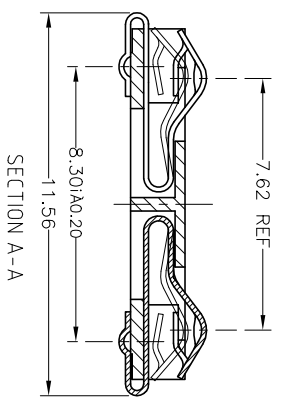
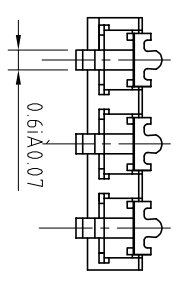
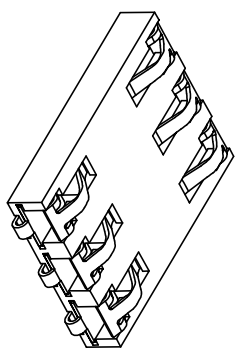
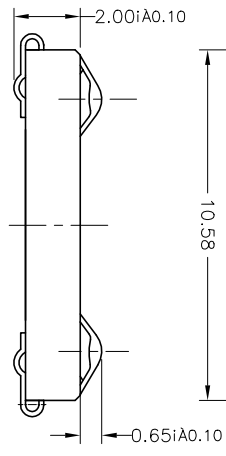
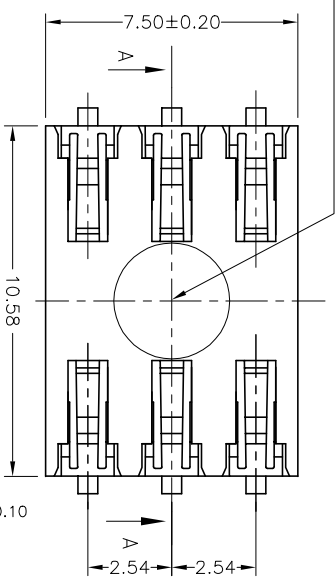


This document is the property of Amphenol Corporation and is delivered on the express condition that it is not to be duplicated, reproduced or used in any manner without the prior consent of Amphenol Corporation. Amphenol Corporation reserves the right to change specifications or to use any information in this document.

PICK & PLACE AREA MIN ϕ 35



RECOMMENDED PCB MOUNTING PATTERN

CUSTOMER DRAWING

REVISIONS				
S/W	ECN	DESCRIPTION	DATE	APPROVED
A	HK2908	RELEASE TO CUSTOMER	3/17/04	IP

Notes :

1. Contacts chip cards according to ISO7816 and Plug In SIM-Cards.
2. Material :
Housing : 30% GLASS-FILLED THERMOPLASTIC LCP BLACK UL94V-0
Pin : Phosphor Bronze C5191R-H.
Plating: Card side plating 0.38 μ m gold
Tin/Lead 2.54~5.08 μ m THICK
Under layer 1.3 μ m Ni.
3. PACKING: TAPE&REEL
4. ORDER NUMBER IS CAD-0614-202

UNLESS OTHERWISE SPECIFIED TOLERANCES

	U.S.	METRIC
X	+/-	0.20
.XX	+/-	0.10
.XXX	+/-	
FRACTIONS	+/-	
ANGLES	+/-	3°

FOR MATERIALS AND FINISHES SEE NOTES REMOVE SHARP EDGES

APPROVAL	DATE
DRAWN	
CHECKED	
CHECKED	

Amphenol

TITLE
6PIN Smart Card Connector,
without switch.

DIMENSIONS		ANGLE OF PROJECTION	
U.S.	(MM)		

SIZE	DRAWING NO.	REV.
A3	CCAD-0614-202	A
SCALE	NONE	SHEET 1 OF 1