

2M805 High Speed Series Connector



Series	Shell Style	Service Class	Shell Size-Insert Arrg.	Contact Type	Alternate Position
2M805-00X	-16	C	7-10	S	A

*add "-501" to the suffix of Jam Nut version to include a Hex Nut instead of a Spanner Nut.

SERIES	
2M805-020	Plug with Integral Backshell
2M805-021	Plug with Accessory Thread
2M805-022	Receptacle with Integral Backshell
2M805-023	Receptacle with Accessory Thread

SHELL SIZE - INSERT ARRANGEMENTS

See Insert Arrangements Below

CONTACTS	
P	Pin
S	Socket
A	Pin, less contacts
B	Socket, less contacts

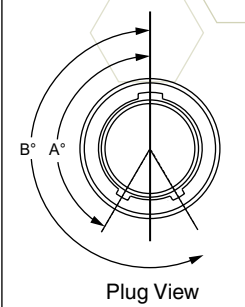
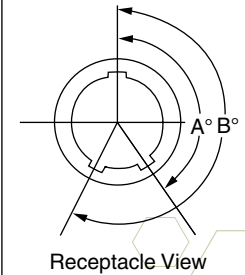


SHELL STYLE 2M805-001, 2M805-002	
-16	Plug Connector with Ratcheting Anti-Decoupling Mechanism

SHELL STYLE 2M805-003, 2M805-004	
-01	In-Line Receptacle
-02	Square Flange Receptacle
-07	Jam Nut* for Rear Panel Mounting Receptacle

SERVICE CLASS	
	Finish
C	Aluminum/Black Anodize (Non-Conductive)
M	Aluminum/Electroless Nickel
NF	Aluminum/Cadmium with Olive Drab Chromate
MT	Aluminum/Nickel-PTFE (Durmalon)
Z1	Stainless Steel/Passivated
ZM	Stainless Steel/Electroless Nickel
ZN	Aluminum/Zinc-Nickel w/Olive Drab Chromate
ZNU	Aluminum/Zinc-Nickel with Black Chromate

KEYING		
Key Position	Key Rotation	
	A	B
Normal A	150°	210°
B	75°	210°
C	95°	230°
D	140°	275°



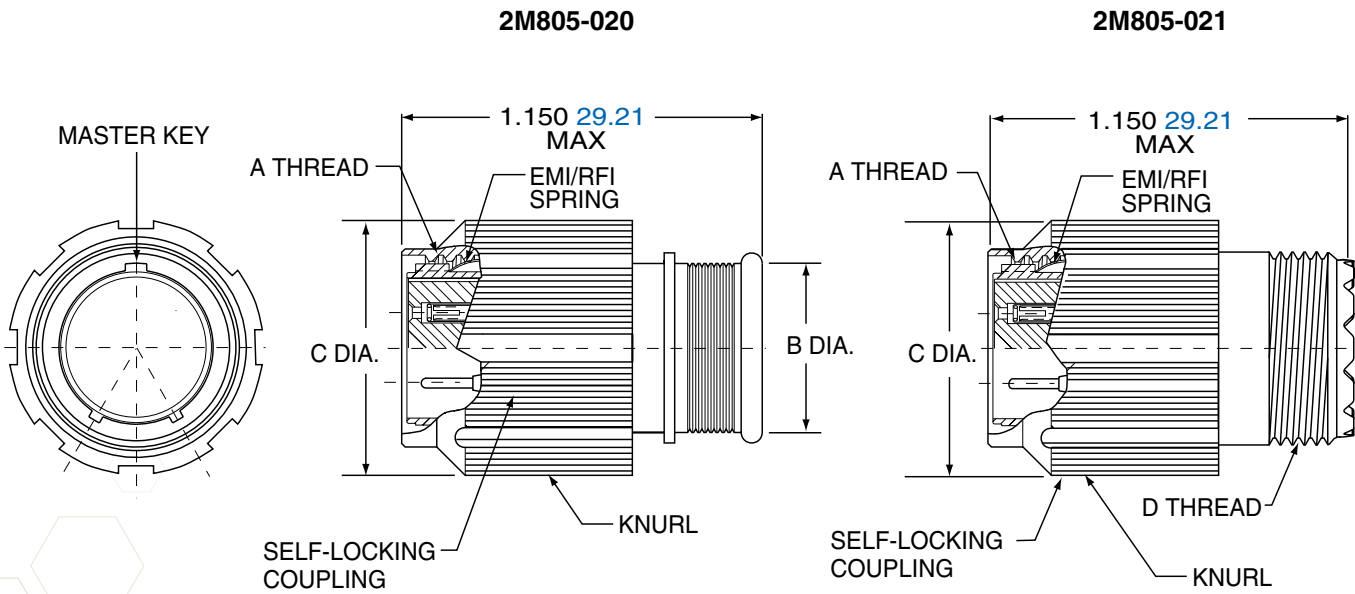
INSERT ARRANGEMENTS

8-4 (4) #23 Contacts	8-7 (7) #23 Contacts	9-10 (10) #23 Contacts	11-19 (19) #23 Contacts	12-26 (26) #23 Contacts

2M805 High Speed Tri-Start Plug



2M805-020 and 2M805-021



Shell Size	A Threads	B Dia.		C Dia.		D Threads Accessory
		in.	mm.	in.	mm.	
8	.5000-.1P-.3L-TS-2B	.317	8.05	.691	17.55	.3750-32 UNEF-2A
9	.5625-.1P-.3L-TS-2B	.397	10.08	.787	19.99	.4375-28 UNEF-2A
11	.6875-.1P-.3L-TS-2B	.519	13.18	.925	23.50	.5625-24 UNEF-2A
12	.7500-.1P-.3L-TS-2B	.585	14.86	.982	24.94	.6250-24 UNEF-2A

Contacts & Tools

2M Specs

2M801

2M803

2M804

2M805

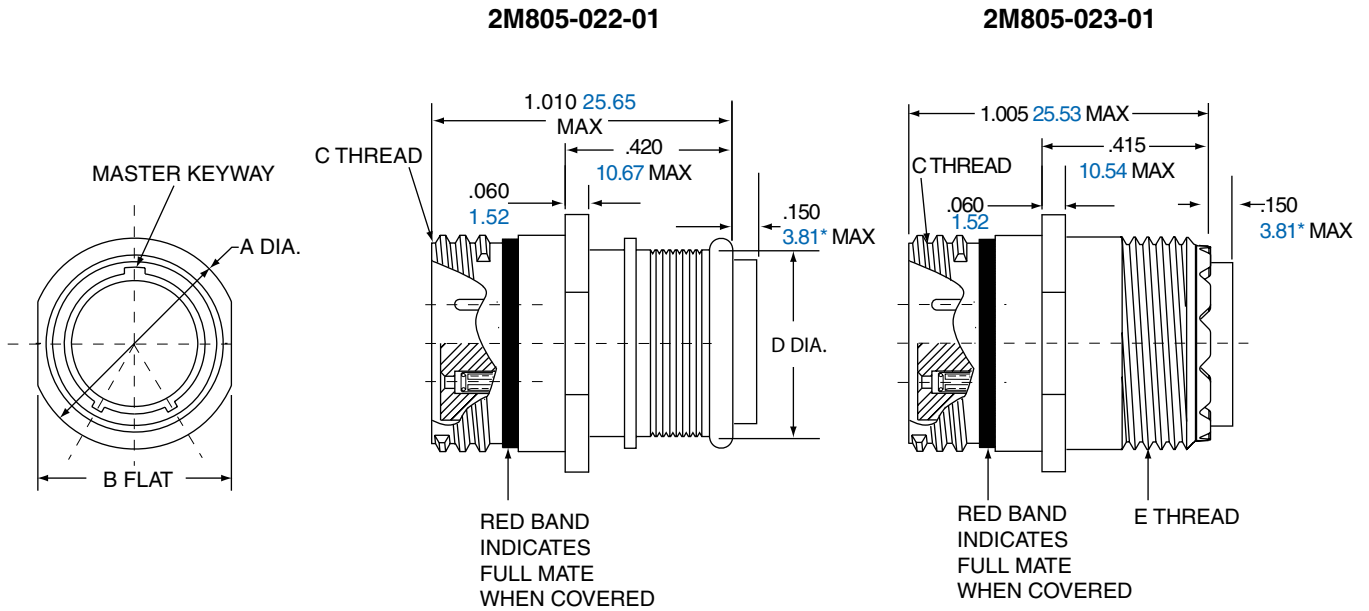
2M Filter & Accessories

HD38999

Micro-D

Terrapin

Nexus



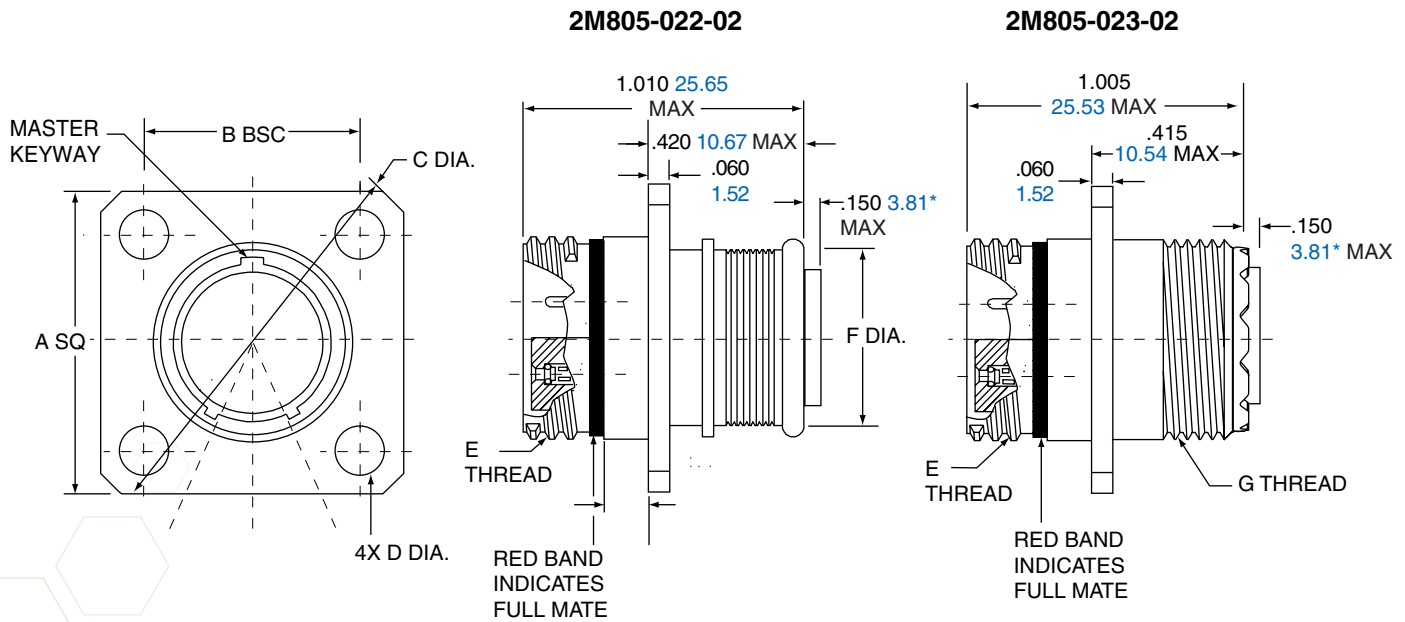
* Grommet protrudes for power/combo arrangement

Shell Size	A Dia.		B Flat		C Threads	D Dia.		E Threads Accessory
	in.	mm.	in.	mm.		in.	mm.	
8	.543	13.79	.513	13.03	.5000-.1P-.3L-TS-2A	.317	8.05	.3750-32 UNEF-2A
9	.608	15.44	.578	14.68	.5625-.1P-.3L-TS-2A	.397	10.08	.4375-28 UNEF-2A
11	.733	18.62	.703	17.86	.6875-.1P-.3L-TS-2A	.519	13.18	.5625-24 UNEF-2A
12	.796	20.22	.766	19.46	.7500-.1P-.3L-TS-2A	.585	14.86	.6250-24 UNEF-2A

2M805 High Speed Tri-Start Square Flange Receptacle



2M805-022-02 and 2M805-023-02



* Grommet protrudes for power/combo arrangement

Shell Size	A Sq.		B BSC.		C Dia.		D Dia.		E Threads	F Dia.		G Threads Accessory
	in.	mm.	in.	mm.	in.	mm.	in. ±.003	mm. ±.08		in.	mm.	
8	.853	21.67	.660	16.76	1.153	29.29	.091	2.31	.5000-.1P-.3L-TS-2A	.317	8.05	.3750-32 UNEF-2A
9	.916	23.27	.723	18.36	1.233	31.32	.091	2.31	.5625-.1P-.3L-TS-2A	.397	10.08	.4375-28 UNEF-2A
11	1.042	26.47	.848	21.54	1.413	35.89	.091	2.31	.6875-.1P-.3L-TS-2A	.519	13.18	.5625-24 UNEF-2A
12	1.102	27.99	.909	23.09	1.503	38.18	.091	2.31	.7500-.1P-.3L-TS-2A	.585	14.86	.6250-24 UNEF-2A

Contacts & Tools

2M Specs

2M801

2M803

2M804

2M805

2M Filter & Accessories

HD38999

Micro-D

Terrapin

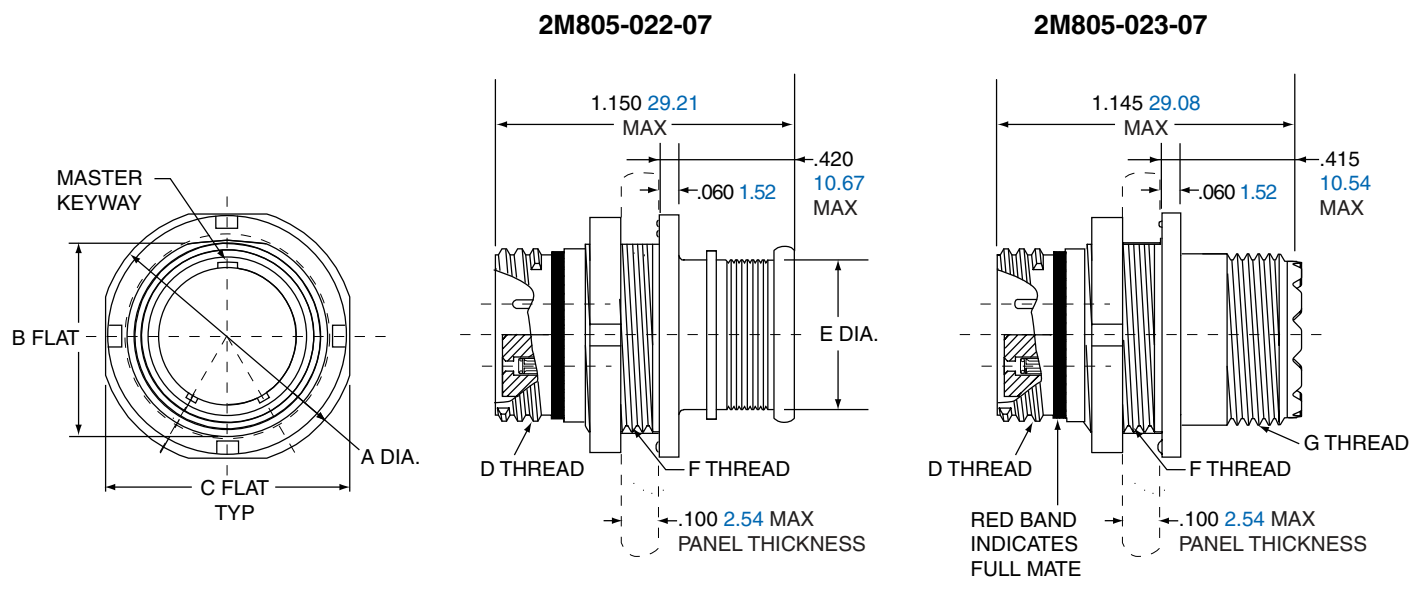
Nexus



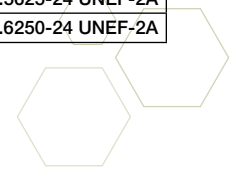
2M805 High Speed Tri-Start Jam Nut Receptacle

2M805-022-07 and 2M805-023-07

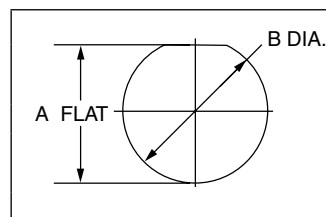
- Contacts & Tools
- 2M Specs
- 2M801
- 2M803
- 2M804
- 2M805
- 2M Filter & Accessories
- HD38999
- Micro-D
- Terrapin
- Nexus



Shell Size	A Dia.		B Flat		C Flat		D Threads	E Dia.		F Threads	G Threads Accessory
	in.	mm.	in.	mm.	in.	mm.		in.	mm.		
8	.760	19.30	.535	13.59	.730	18.54	.5000-.1P-.3L-TS-2A	.317	8.05	.5625-28 UN-2A	.3750-32 UNEF-2A
9	.880	22.35	.661	16.79	.850	21.59	.5625-.1P-.3L-TS-2A	.397	10.08	.6875-28 UN-2A	.4375-28 UNEF-2A
11	.955	24.26	.721	18.31	.925	23.50	.6875-.1P-.3L-TS-2A	.519	13.18	.7500-28 UN-2A	.5625-24 UNEF-2A
12	1.065	27.05	.784	19.91	1.039	26.39	.7500-.1P-.3L-TS-2A	.585	14.86	.8125-28 UN-2A	.6250-24 UNEF-2A



PANEL CUTOUT FOR JAM NUT



Shell Size	A Flat		B Dia	
	in. ±.002	mm. ± 0.05	in. ±.005	mm. ± 0.13
8	.543	13.79	.572	14.53
9	.669	16.99	.698	17.73
11	.729	18.51	.760	19.30
12	.792	20.17	.822	20.88

High Speed PC Board Receptacles:

2M805 High Speed Series of PC Board Receptacles are intended for use of terminating the connector directly to a Circuit Board or Flex assembly. These connectors can also be supplied with solder cup termination for direct wire attachment.

2M805 HIGH SPEED FEATURES INCLUDE:

- Low profile shells for minimum box protrusion
- Shell Standoffs for PC Board washout
- Non-removable PC and/or Solder cup contacts
- Teflon Inserts
- Environmental Sealing



Series	Shell Style	Service Class	Shell Size-Insert Arrg.	Contact Type	Alternate Position
2M805-0XX	-02	C	7-10	S	A

*add "-501" to the suffix of Jam Nut version to include a Hex Nut instead of a Spanner Nut.

SERIES	
2M805-024	Receptacle for Solder Cup or PCB Termination, with Standard Epoxy Potting

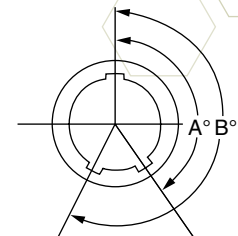
SHELL STYLE	
-02	Square Flange Receptacle
-07	Jam Nut* for Rear Panel Mounting Receptacle

SHELL SIZE - INSERT ARRANGEMENTS
See Insert Arrangements Below

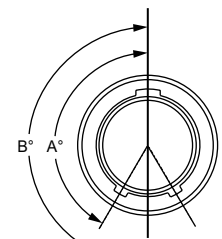
CONTACTS	
P	Pin - PC Tail
S	Socket - PC Tail
E	Pin - Solder Cup
F	Socket - Solder Cup

SERVICE CLASS		
		Finish
C		Aluminum/Black Anodize (Non-Conductive)
M		Aluminum/Electroless Nickel
NF		Aluminum/Cadmium with Olive Drab Chromate
MT		Aluminum/Nickel-PTFE (Durmalon)
Z1		Stainless Steel/Passivated
ZM		Stainless Steel/Electroless Nickel
ZN		Aluminum/Zinc-Nickel w/Olive Drab Chromate
ZNU		Aluminum/Zinc-Nickel with Black Chromate

KEYING		
Key Position	Key Rotation	
	A	B
(Normal) A	150°	210°
B	75°	210°
C	95°	230°
D	140°	275°



Receptacle View



Plug View

INSERT ARRANGEMENTS

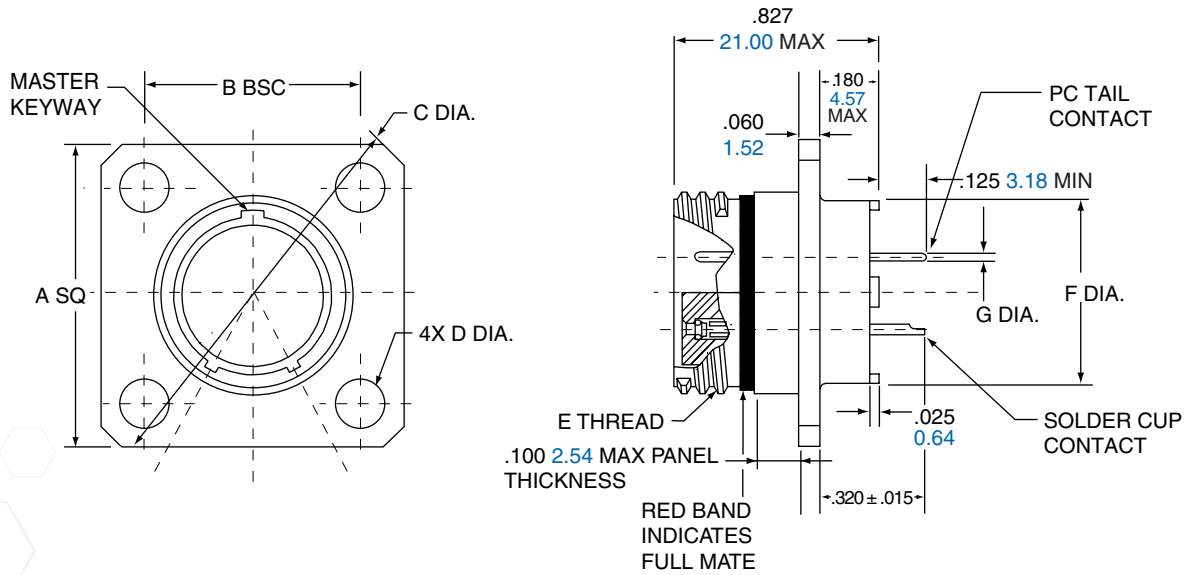
8-4 (4) #23 Contacts	8-7 (7) #23 Contacts	9-10 (10) #23 Contacts	11-19 (19) #23 Contacts	12-26 (26) #23 Contacts

2M805 High Speed Tri-Start PC Solder Cup Sq. Flange



2M805-024-02

2M805-024-02



Shell Size	A Sq.		B BSC.		C Dia.		D Dia.		E Threads	F Dia.		G PC Tail Dia. #23 .018/.022 0.46/0.56
	in.	mm.	in.	mm.	in.	mm.	in. ±.003	mm. ±.08		in.	mm.	
8	.853	21.67	.660	16.76	1.153	29.29	.091	2.31	.5000-1P-.3L-TS-2A	.330	8.38	
9	.916	23.27	.723	18.36	1.233	31.32	.091	2.31	.5625-1P-.3L-TS-2A	.432	10.97	
11	1.042	26.47	.848	21.54	1.413	35.89	.091	2.31	.6875-1P-.3L-TS-2A	.551	14.00	
12	1.102	27.99	.909	23.09	1.503	38.18	.091	2.31	.7500-1P-.3L-TS-2A	.620	15.78	

Contacts & Tools

2M Specs

2M801

2M803

2M804

2M805

2M Filter & Accessories

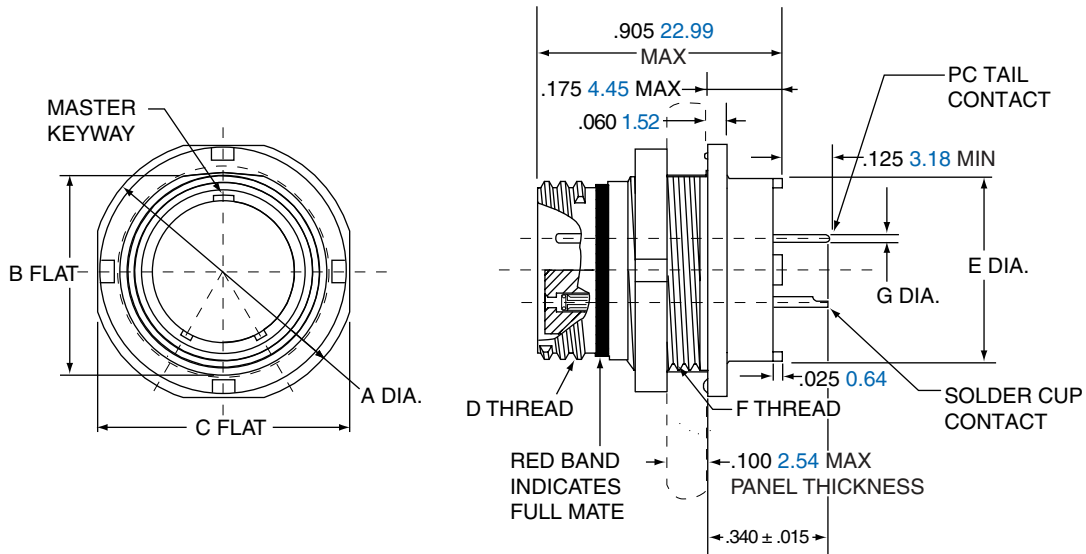
HD38999

Micro-D

Terrapin

Nexus

2M805-024-07



Shell Size	A Dia.		B Flat		C Flat		D Threads	E Dia.		F Threads	G PC Tail Dia.
	in.	mm.	in.	mm.	in.	mm.		in.	mm.		
8	.760	19.30	.535	13.59	.730	18.54	.5000-.1P-.3L-TS-2A	.330	8.38	.5625-28 UN-2A	#23 .018/.022 0.46/0.56
9	.880	22.35	.661	16.79	.850	21.59	.5625-.1P-.3L-TS-2A	.432	10.97	.6875-28 UN-2A	
11	.955	24.26	.721	18.31	.925	23.50	.6875-.1P-.3L-TS-2A	.551	14.00	.7500-28 UN-2A	
12	1.060	26.92	.784	19.91	1.035	26.29	.7500-.1P-.3L-TS-2A	.620	15.78	.8125-28 UN-2A	

PANEL CUTOUT FOR JAM NUT

Shell Size	A Flat		B Dia	
	in. ±.002	mm. ± 0.05	in. ±.005	mm. ± 0.13
8	.543	13.79	.572	14.53
9	.669	16.99	.698	17.73
11	.729	18.51	.760	19.30
12	.792	20.17	.822	20.88

