

K



TABLE OF CONTENTS FOR SECTION K

Design Features, Customer Options, Specifications	18, 19
Quick Reference of Choices - Threaded Styles	20-22
Quick Reference of Choices - Bayonet Styles	23
Quick Reference of Choices - Hermetic Receptacles, Threaded	24, 25
Insert Availability, Alternate Keying Positions	26
Insert Arrangement Drawings	27, 28
How to Order - Military or Commercial	29
How to Order - Pyle Commercial Designed to Meet GE Specifications	30
How to Order - Boeing (BACC63CM/CN) or Pyle Comm. Equivalent	31
How to Order - ASD Designation (EN997)	32
How to Order - Pyle Commercial Equivalents to ASD Designations/European Standards	33
How to Order - ESC10/11 for SBAC and Rolls Royce Standards	34
How to Order - Pyle Commercial Equivalent to ESC11/ European Specifications - Scoop-Proof only	35
How to Order - Hermetic, Military or Commercial	36

THREADED SHELL STYLES:

Square Flange Receptacle	37
Jam Nut (D-Hole Mount) Receptacle	38
Straight Plug & Non-Decoupling Plug	39

BAYONET SHELL STYLES:

Square Flange Receptacle	40
Jam Nut (D-Hole Mount) Receptacle	41
Straight Plug	42

HERMETIC SHELL STYLES:

Square Flange Receptacle	43
Jam Nut (D-Hole Mount) Receptacle	44
Solder Mount/Weld Mount Receptacle	45

CONTACTS, SEALING PLUGS, TOOLS:

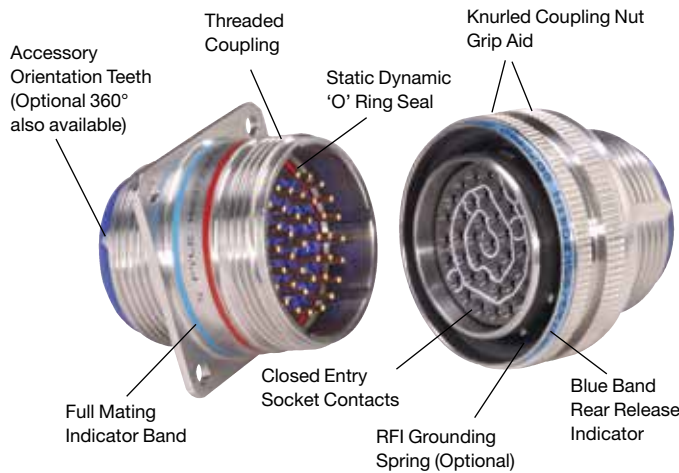
Contacts, Sealing Plugs, Tools	46-49
--	-------

MIL-DTL-83723, Series III, Pyle®

Threaded or Bayonet, High Temp. Stainless Steel

AMPHENOL AEROSPACE OFFERS THE PYLE® PRODUCT LINE OF MIL-DTL-83723*, SERIES III CONNECTORS.

DESIGN FEATURES (THREADED STYLE SHOWN)



The Amphenol MIL-DTL-83723, Series III family of connectors includes styles from Pyle National. These are proven technology for severe environments and are widely used in commercial and military aerospace markets. Amphenol/Pyle 83723 connectors incorporate many advantageous features, such as a unique threaded coupling mechanism that provides greater resistance to decoupling. This coupling mechanism eliminates the need for safety wiring and tends to couple during vibration - thus offering the user added assurance and a margin of safety.

Amphenol/Pyle 83723 Series III high temperature styles are capable of operation at 260° C/500°F. A 100% scoop-proof version of the high temperature connector is also available under specification ESC11/Pyle HTK Series. In addition, this connector series incorporates a unique sealing grommet that is capable of sealing on standard diameter wire as well as Kapton wire of reduced diameter.

The Pyle 83723 family provides connectors in environmental, firewall and hermetic classes that exceed the most stringent specification requirements.

SERVICE RATINGS

Service Rating	Recommended Operating AC Voltage at Sea Level	Test Voltage AC (RMS), 60 cps			
		Sea Level	50,000 ft.	70,000 ft.	110,000 ft.
I	600	1,500	500	375	200

Please note that the electrical data given is not an establishment of electrical safety factors. This is left entirely in the designer's hands as he can best determine which peak voltage, switching surges, transients, etc. can be expected in a particular circuit.

MIL-DTL-83723, SERIES III CONNECTORS ARE AVAILABLE IN A WIDE VARIETY OF STYLES:

THREADED STYLE CONNECTORS

- Stainless steel shells** provide corrosion resistance
- Metal-to-metal bottoming
- Unique sealing grommet accepts a wide range of wire diameters
- Patented non-decoupling device in plugs - a self-locking clutch plate that provides greater resistance to decoupling than coupling during vibration

BAYONET STYLE CONNECTORS

- Same quality features of the threaded style, but with 3 point bayonet coupling - quick turn to lock, visual confirmation of complete coupling

HIGH TEMPERATURE STYLE CONNECTORS

- High temperature connector materials and contacts provide operation to 200°C and Firewall capability to 260°C
- Improved metal-to-metal bottoming design
- Unique sealing grommet accepts a wide range of wire diameters
- Improved 360° accessory orientation teeth provide greater performance under vibration
- Patented non-decoupling device (torque differential)
- Improved shell-to-shell conductivity with optional RFI grounding fingers
- Styles available that meet several European specifications, General Electric and Rolls Royce specifications
- Special Shell Geometry Styles available

HERMETIC STYLE CONNECTORS

- Hermetic styles are available in threaded receptacles with solderwell or flat eyelet termination. PC Tail Designs are available on request.
- Designed for environmental moisture sealing with fused compression glass sealed inserts
- High temperature hermetics 200°C and 260°C Firewall



Pyle Connectors with PC Tail and Standoff

* MIL-DTL-83723 supersedes MIL-C-83723.

** The Amphenol Pyle 83723 family is offered in stainless steel shell classes. See the Amphenol Matrix 83723 family for aluminum shell classes in the preceding section of this catalog.

MIL-DTL-83723, Series III, Pyle®

Manufacturer's Specifications



The Amphenol/Pyle® Product line of MIL-DTL-83723*, Series III Connectors was developed for the higher operating temperatures inherent in today's high performance aircraft and aircraft engines.



**ESC11
Engine Connector**

THESE CONNECTORS MEET THE PERFORMANCE REQUIREMENTS OF THE FOLLOWING MANUFACTURER'S SPECIFICATIONS:

- Boeing BACC63CM/CN* Firewall
- European: ASD† EN2997
- General Electric: M50TF3564
- Rolls Royce/SBAC: ESC10 and ESC11

MIL-DTL-83723, SERIES III CONNECTOR PERFORMANCE CHARACTERISTICS

Operating Temperature Data	Std: -85°F (-65°C) to 392°F (200°C) Class K types meet fireproof test per MIL-DTL-83723 2000°F (1093°C) High Temperature Series: Operates at 500°F (260°C)
Altitude	Sea Level to 110,000 feet
Voltage Breakdown Rating	Service Rating I Sea Level 1,500 50,000 ft. 500 70,000 ft. 375 110,000 ft. 200
Contact Rating	Size 20 contacts ... 7.5 amperes max. Size 16 contacts ... 13.0 amperes max. Size 12 contacts ... 23 amperes max.
Contact Retention Strength	Exceeds MIL-DTL-83723 requirements
Connector Durability	500 cycles per MIL-DTL-83723 for threaded coupling; 500 cycles per General Electric M50TF2321 for non-decoupling styles
Humidity	To 98% relative humidity, including condensation
Exposure	Freezing rain
Non-Decoupling	Exceeds requirements of MIL-DTL-83723/95 and 96.
Vibration	Meets MIL-DTL-83723 of 41.7G's for 16 hours.; Boeing BACC63CM/CN for 36 hours General Electric vibration spec. M50TF2321 and M50TF2238 for 36 hours, which includes: Temp. Extremes G Level Time Length Room Temp. 60 G's 12 hrs. (4 hrs. each axis) -65°F ±5°F 60 G's 12 hrs. (4 hrs. each axis) 350°F ±5°F 60 G's 12 hrs. (4 hrs. each axis)

HERMETIC CONNECTOR PERFORMANCE CHARACTERISTICS

Thermal Shock	No damage detrimental to the operation of the connector occurs when subjected to 10 cycles of thermal shock from 0°C to 90°C and back to 0°C.
Physical Shock (Mated)	300 G's
Moisture Resistance (Mated)	500 Megohms
Insulation Resistance, High Temp. (Mated)	500 Megohms
Corrosion (Unmated)	Complies with MIL-DTL-83723 Req.
Temperature Life	Fully functional for 1000 hours at 200°C (392°F) ambient. Internal temperature 238°C (460°F).
Air Leakage (Unmated)	Less than .01 micron per cubic feet per hour on application of 15 PDS pressure differential across the connector.
Altitude Immersion (Mated)	After 3 cycles immersed in salt water with pressure reduced to 1 in. Hg (75,000 ft. altitude) for 30 minutes and returned to atmosphere pressure. While connectors submerged insulation resistance should remain 1000 megohms minimum and support 1500 volts RMS applied without flash-over or breakdown.
High Potential Voltage Altitude (Unmated)	When tested in accordance with MIL-STD-202, Method 301, no flash-over or breakdown under simulated altitude conditions as shown: Altitude/Service Rating I 50,000 500 AC-RMS 70,000 375 AC-RMS 110,000 200 AC-RMS

MIL-DTL-83723, Series III, Pyle®

Sq. Flange Receptacle, Threaded - Quick Reference

MIL-DTL-83723, SERIES III SQUARE FLANGE RECEPTACLE, THREADED COUPLING

Military: **M83723/82** with Sockets, Classes G, K

Military: **M83723/83** with Pins, Classes G, K

Commercial: **BT()-17**
With 'O' ring seal, Classes G, K

Comm. Special for General Electric: **BJ-17**
With Static Dynamic Seal, Stainless Steel, but not avail. in Firewall

BJ8-17
Same as BJ-17 except with Scoop-proof recessed pins

BN-17
Same as BJ-17 except Electro-deposited Nickel Base

BN8-17
Same as BN-17 except with Scoop-proof recessed pins

BNK-17
Same as BN except Stainless Steel Firewall

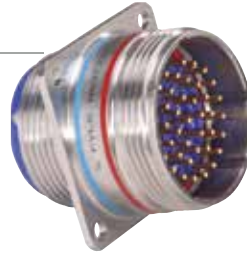
Special with Boeing Designation: **BACC63CN****
With 'O' ring seal, Stainless Steel Firewall, with Boeing approved contacts, Shell modifications with 360° teeth per MS3155

Comm. Special per Boeing Co. Spec.: **BSK-17**
Stainless Steel Firewall with 'O' ring seal, qualified to Boeing, Y126 Variation - with Boeing approved contacts

Commercial ASD Designation: **EN2997 ()0**
Meets ASD specifications
200°C temp. (Classes K, S, Y),
260°C high temp. (Classes KE, SE, YE)

Comm.- Meet Several European Stds: **BT()-17**
With 'O' ring seal, Classes G, K
Variations for Euro market specifications

BJ()-17
With Static Dynamic Seal, Classes G, K
Variations for Euro market specifications



SQUARE FLANGE RECEPTACLE THREADED

SERVICE CLASSES* MILITARY AND COMMERCIAL

G	Stainless steel, 200°C
K	Stainless steel, 200°C Firewall capability
S	Stainless steel, 200°C firewall capability, grounding spring
P	Stainless steel, 200°C, hermetic with eyelet contacts
Y	Stainless steel, 200°C, hermetic with solderwell contacts
KE	Stainless steel, high temp. (260°C) firewall capability
SE	Stainless steel, high temp. (260°C) firewall capability, grounding spring
YE	Stainless steel, high temp. (260°C) firewall capability, hermetic with solderwell contacts

* For Classes A, R and W (aluminum shell types) - Amphenol supplies these in their Matrix 83723 family. See the preceding section of this catalog, 83723 III Matrix.



SQUARE FLANGE RECEPTACLE, THREADED, PER EUROPEAN STDS.

(Green Insert - High Temp 260°C;
Blue insert - 200°C)

Commercial - Meet Society of British Aerospace Co./Rolls Royce Standards: **ESC10 ()0**
260°C Firewall (Classes KE, SE, YE),
360° accessory teeth per MS3155

ESC11 ()0
260°C Firewall (Classes KE, SE, YE),
Scoop-proof recessed pins,
360° accessory teeth per MS3155

ESC10 & ESC11 also available in Hermetic square flange receptacles - See Hermetic quick ref. page 369.

ESC11 with Scoop-Proof (Recessed pins): **HTK-17**
Standard ESC11, Class K Firewall, Scoop-proof, Variations for Euro market specifications

HNK-17
Nickel finish, Class K Firewall Mating recept. has 'O' ring seal, Scoop-proof, Variations for Euro market specs

HSK-17
Same as HTK, except this is a special designator for Boeing Co.

** BACC63CN supersedes BACC63BT.
See how to order pages 29-36 for complete part numbers.

Bayonet style square flange receptacles are shown on page 40.

MIL-DTL-83723, Series III, Pyle®

Jam Nut Receptacle, Threaded - Quick Reference

MIL-DTL-83723, SERIES III JAM NUT (D-HOLE MOUNT) RECEPTACLE, THREADED COUPLING

Military: **M83723/84** with Sockets, Classes G, K

Military: **M83723/85** with Pins, Classes G, K

Commercial: **BT()-19**
With 'O' ring seal, Classes G, K

Comm. Special for General Electric: **BJ-19**
With Static Dynamic Seal, Stainless Steel, but not avail. in Firewall

BJ8-19
Same as BJ-17 except with Scoop-proof recessed pins

BN-19
Same as BJ-17 except Electro-deposited Nickel Base

BN8-19
Same as BN-17 except with Scoop-proof recessed pins

BNK-19
Same as BN except Stainless Steel Firewall

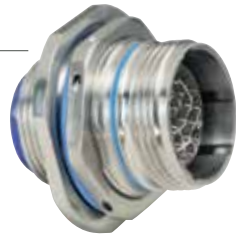
Commercial ASD Designation: **EN2997 ()7**
Meets ASD specifications
200°C temp. (Classes K, S, Y),
260°C high temp. (Classes KE, SE, YE)

NFL 54143 ()7

Comm. - Meet Several European Stds: **BT()-19**
With 'O' ring seal, Classes G, K
Variations for Euro market specifications

BJ()-19
With Static Dynamic Seal, Classes G, K
Variations for Euro market specifications

Commercial - Meet Society of British Aerospace Co./Rolls Royce Standards: ESC10 & ESC11 jam nut receptacles are available in Hermetic only - See Hermetic quick ref. pages 24 & 25.



JAM NUT (D-HOLE MOUNT) RECEPTACLE, THREADED

SERVICE CLASSES* MILITARY AND COMMERCIAL

G	Stainless steel, 200°C
K	Stainless steel, 200°C firewall capability
S	Stainless steel, 200°C firewall capability, Grounding Spring
P	Stainless steel, 200°C, hermetic with eyelet contacts
Y	Stainless steel, 200°C, hermetic with solderwell contacts
KE	Stainless steel, high temp. (260°C) firewall capability
SE	Stainless steel, high temp. (260°C) firewall capability, grounding spring
YE	Stainless steel, high temp. (260°C) firewall capability, hermetic with solderwell contacts

* For Classes A, R and W (aluminum shell types) - Amphenol supplies these in their Matrix 83723 family. See the preceding section of this catalog, 83723 III Matrix.

No Boeing Designated Jam nut receptacle.
See how to order pages 29-36 for complete part numbers.

Bayonet style jam nut receptacles are shown on page 41.

MIL-DTL-83723, Series III, Pyle®

Plugs, Threaded - Quick Reference

MIL-DTL-83723, SERIES III STANDARD STRAIGHT PLUG, THREADED COUPLING

Military: **M83723/86** with Sockets, Classes G, K
 Military: **M83723/87** with Pins, Classes G, K
 Commercial: **BT()11**
 Mating recept. has 'O' ring seal, Classes G, K

Comm. Special for General Electric: **BJ-11**
 With Static Dynamic Seal, Stainless Steel, but not avail. in Firewall
BJ8-11
 Same as BJ-17 except with Scoop-proof recessed pins
BN-11
 Same as BJ-17 except Electro-deposited Nickel Base
BN8-11
 Same as BN-17 except with Scoop-proof recessed pins
BNK-11
 Same as BN except Stainless Steel Firewall



STANDARD STRAIGHT PLUG, THREADED

No Boeing straight plug designations. No ASD or other European/ESC10 or ESC11 straight plug designations. See page 42 for Bayonet style straight plug style.

MIL-DTL-83723, SERIES III NON-DECOUPLING PLUG (UNIQUE SELF-LOCKING CLUTCH PLATE), THREADED COUPLING

Military: **M83723/95** with Sockets, Classes G, K
M83723/96 with Pins, Classes G, K
M83723/97 with EMI Grounding spring, with Pins
M83723/97 with EMI Grounding spring, with Sockets

Commercial: **BT()12**
 Mating recept. has 'O' ring seal, Classes G, K

Comm. Special for General Electric: **BJ-12**
 With Static Dynamic Seal, Stainless Steel, but not avail. in Firewall
BJ8-12
 Same as BJ-17 except with Scoop-proof recessed pins
BN-12
 Same as BJ-17 except Electro-deposited Nickel Base
BN8-12
 Same as BN-17 except with Scoop-proof recessed pins
BNK-12
 Same as BN except Stainless Steel Firewall

Special with Boeing Designation: **BACC63CM****
 Mating recept. has 'O' ring seal, Stainless Steel Firewall, with Boeing approved contacts, Shell modifications with 360° teeth per MS3155

Comm. Special per Boeing Co. Spec.: **BSK-12**
 Stainless Steel Firewall qual. to Boeing, Y126 Variation - with Boeing approved contacts

** BACC63CM supersedes BACC63BR.
 See how to order pages 29-36 for complete part numbers.
 No Bayonet style Non-Decoupling plug available.

SERVICE CLASSES* MILITARY AND COMMERCIAL

G	Stainless steel, 200°C
K	Stainless steel, 200°C firewall capability
S	Stainless steel, 200°C firewall capability, grounding spring
KE	Stainless steel, high temp. (260°C) firewall capability
SE	Stainless steel, high temp. (260°C) firewall capability, grounding spring

* For Classes A, R and W (aluminum shell types) - Amphenol supplies these in their Matrix 83723 family. See the preceding section of this catalog, 83723 III Matrix.



NON-DECOUPLING PLUG, THREADED

Left - Green Insert - High Temp 260°C and 360° Accessory Teeth;
 Right - Blue insert - 200°C and 3 Accessory Teeth

Commercial ASD Designation: **EN2997 ()6**
 Meets ASD specifications
 200°C temp. (Classes K, S),
 260°C high temp. (Classes KE, SE)

Comm.- Meet Several European Stds: **BT()-12**
 Mating recept. has 'O' ring seal, Classes G, K
 Variations for Euro market specifications
BJ()-12
 With Static Dynamic Seal, Classes G, K
 Variations for Euro market specifications

Commercial - Meet Society of British Aerospace Co./Rolls Royce Standards: **ESC10 ()6**
 260°C Firewall (Classes KE, SE),
 360° accessory teeth per MS3155
ESC11 ()6
 260°C Firewall (Classes KE, SE),
 Scoop-proof, 360° accessory teeth per MS3155

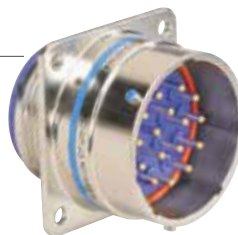
ESC11 with Scoop-Proof (Recessed pins): **HTK-12**
 Standard ESC11, Class K Firewall,
 Scoop-proof, Variations for Euro market specs
HNK-12
 Nickel finish, Class K Firewall
 Mating recept. has Static Dynamic seal,
 Scoop-proof, Variations for Euro market specs
HSK-12
 Same as HTK, except this is a special designator for Boeing Co.

MIL-DTL-83723, Series III, Pyle®

Bayonet Plugs & Receptacles - Quick Reference

MIL-DTL-83723, SERIES III SQUARE FLANGE RECEPTACLE, BAYONET COUPLING

Military: **M83723/71** with Sockets, Classes G, K
 Military: **M83723/72** with Pins, Classes G, K
 Commercial: **BY()17**
 With 'O' ring seal, Classes G, K



SQUARE FLANGE RECEPTACLE WITH BAYONET COUPLING

SERVICE CLASSES* MILITARY AND COMMERCIAL

G	Stainless steel, 200°C
K	Stainless steel, 200°C firewall capability

* For Classes A, R and W (aluminum shell types) - Amphenol supplies these in their Matrix 83723 family. See the preceding section of this catalog, 83723 III Matrix.

MIL-DTL-83723, SERIES III JAM NUT (D-HOLE MOUNT) RECEPTACLE, BAYONET COUPLING

Military: **M83723/73** with Sockets, Classes G, K
 Military: **M83723/74** with Pins, Classes G, K
 Commercial: **BY()19**
 With 'O' ring seal, Classes G, K



JAM NUT (D-HOLE MOUNT) RECEPTACLE WITH BAYONET COUPLING

MIL-DTL-83723, SERIES III STRAIGHT PLUG, BAYONET COUPLING

Military: **M83723/75** with Sockets, Classes G, K
 Military: **M83723/76** with Pins, Classes G, K
 Commercial: **BY()10**
 With 'O' ring seal, Classes G, K



STRAIGHT PLUG WITH BAYONET COUPLING

Bayonet coupling connectors are offered in Military 83723 and Commercial equivalent designations. See how to order page 29. They are not included in Boeing, GE, ASD and other European specified connectors. Shell size 28 is not available in Bayonet coupling connectors.

MIL-DTL-83723, Series III, Pyle®

Hermetic Receptacles - Quick Reference

MIL-DTL-83723, SERIES III HERMETIC SQUARE FLANGE RECEPTACLE, THREADED COUPLING



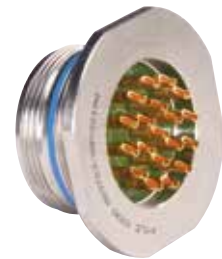
**HERMETIC
SQUARE FLANGE
RECEPTACLE,
THREADED**

- Military: **M83723/88Y**
Stainless Steel, Class Y,
Solderwell contacts
- Military: **M83723/88P**
Stainless Steel, Class P,
Eyelet contacts
- Commercial: **BTY-17**
Stainless Steel, 'O' ring Seal,
Solderwell or Eyelet contacts,
200°C or 260°C
- BFY-17**
Stainless Steel, Static Dynamic
Seal, Solderwell or Eyelet contacts,
200°C or 260°C
- BNY-17**
Stainless Steel, Static Dynamic
Seal, Electro-deposited Nickel, Solderwell or Eyelet contacts,
200°C or 260°C
- Commercial
ASD Designation: **EN2997Y0 / YE0**
Meets ASD Specifications, Stainless Steel,
Class Y (200°C) / Class YE (260°C), Solderwell contacts
- Commercial - Meet
Society of British
Aerospace Co./Rolls
Royce Standards: **ESC10YE2**
260°C Firewall, Stainless Steel, Class YE, Solderwell contacts
- ESC11YE2**
260°C Firewall, Stainless Steel, Class YE, Solderwell contacts,
Scoop-proof Recessed pins
- PCB Tails available upon request

SERVICE CLASSES HERMETIC MILITARY AND COMMERCIAL

Y	Stainless Steel, 200°C, hermetic with solderwell contacts
P	Stainless steel, 200°C, hermetic with eyelet contacts
YE	Stainless steel, high temp. (260°C) firewall capability, hermetic with solderwell contacts

MIL-DTL-83723, SERIES III HERMETIC JAM NUT RECEPTACLE, THREADED COUPLING



**HERMETIC
JAM NUT
RECEPTACLE,
THREADED**

- Military: **M83723/89Y**
Stainless Steel, Class Y, Solderwell contacts
- Military: **M83723/89P**
Stainless Steel, Class Y, Eyelet contacts
- Commercial: **BTY-19**
Stainless Steel, 'O' ring Seal, Solderwell or Eyelet contacts, 200°C or 260°C
- BFY-19**
Stainless Steel, Static Dynamic Seal, Solderwell or Eyelet contacts, 200°C or 260°C
- BNY-19**
Stainless Steel, Static Dynamic Seal, Electro-deposited Nickel, Solderwell or
Eyelet contacts, 200°C or 260°C
- Commercial
ASD Designation: **EN2997Y7 / YE7**
Meets ASD Specifications, Stainless Steel,
Class Y (200°C) / Class YE (260°C), Solderwell contacts
- Commercial - Meet
Society of British
Aerospace Co./Rolls
Royce Standards: **ESC10YE3**
260°C Firewall, Stainless Steel, Class YE, Solderwell contacts
- ESC11YE3**
260°C Firewall, Stainless Steel, Class YE, Solderwell contacts,
Scoop-proof Recessed pins
- PCB Tails available upon request

Commercial BTY, BFY and BNY meet European specifications and General Electric spec. GEM50TF3564, Classes A & B.

Shell sizes 20, 24 and 28, consult Amphenol Aerospace for availability.

Hermetic style receptacles are not included in Boeing designations.

MIL-DTL-83723, Series III, Pyle®

Hermetic Receptacles, cont. - Quick Reference

MIL-DTL-83723, SERIES III HERMETIC SOLDER MOUNT/WELD MOUNT RECEPTACLE, THREADED COUPLING

Military: **M83723/90Y**
Stainless Steel, Class Y,
Solderwell contacts

Military: **M83723/90P**
Stainless Steel, Class P,
Eyelet contacts

Commercial: **BTY-14**
Stainless Steel, 'O' ring Seal,
Solderwell or Eyelet contacts,
200°C or 260°C

BFY-14
Stainless Steel, Static Dynamic
Seal, Solderwell or Eyelet contacts,
200°C or 260°C

BNY-14
Stainless Steel, Static Dynamic
Seal, Electro-deposited Nickel,
Solderwell or Eyelet contacts,
200°C or 260°C

Commercial
ASD Designation: **EN2997Y1 / YE1**
Meets ASD Specifications, Stainless Steel,
Class Y (200°C) / Class YE (260°C), Solderwell contacts

Commercial - Meet
Society of British
Aerospace Co./Rolls
Royce Standards: **ESC10YE1**
260°C Firewall, Stainless Steel, Class YE, Solderwell contacts

ESC11YE1
260°C Firewall, Stainless Steel, Class YE, Solderwell contacts,
Scoop-proof Recessed pins

PCB Tails available upon request



**HERMETIC
SOLDER MOUNT/WELD
MOUNT RECEPTACLE,
THREADED**

SERVICE CLASSES HERMETIC MILITARY AND COMMERCIAL

Y	Stainless steel, 200°C, hermetic with solderwell contacts
P	Stainless steel, 200°C, hermetic with eyelet contacts
YE	Stainless steel, high temp. (260°C) firewall capability, hermetic with solderwell contacts

Commercial BTY, BFY and BNY meet European specifications and General Electric spec. GEM50TF3564, Classes A & B.

Shell sizes 20, 24 and 28, consult Amphenol Aerospace for availability.
Hermetic style receptacles are not included in Boeing designations.

MIL-DTL-83723, Series III, Pyle®

Insert Availability and Identification, Alternate Keying Positions

INSERT ARRANGEMENTS

Shell Size/ Insert Arrangement	Service Rating	Total Contacts	Contact Size			
			8	12	16	20
08-03	I	3				3
08-98	I	3				3
10-02**	I	2				2
10-05	I	5				5
10-06	I	6				6
10-20	I	2			2	
12-03***	I	3			3	
12-12	I	12				12
14-04***	I	4		4		
14-07***	I	7			7	
14-12	I	12			3	9
14-15	I	15				15
16-10***	I	10			10	
16-24	I	24				24
18-08	I	8		8		
18-14***	I	14			14	
18-31	I	31				31
20-16***	I	16			16	
20-25	I	25		6		19
20-28**	I	28		4		24
20-39	I	39			2	37
20-41	I	41				41
22-12**	I	12		12		
22-19***	I	19			19	
22-27	I	27			27	
22-32**	I	32		6		26
22-39**	I	39			12	27
22-55	I	55				55
24-19†	I	19		19		
24-30†***	I	30			30	
24-43**	I	43			20	23
24-46†	I	46	2 Twinax		4	40
24-57	I	57		2		55
24-61	I	61				61
28-41†	I	41			41	
28-42†***	I	42			42	
28-91†*	I	91				91

† Not an MS layout.

* Special - consult Amphenol for availability.

** Special Pyle with Matrix 83723 insert (ESC10 type, EN2997 Spec); consult Amphenol Aerospace for availability.

*** Boeing Qualified Arrangements (See Boeing How to Order page 31)

24-19 is a special ground plane insert with purchased size 12 Coax contacts; consult Amphenol for information.

24-46 is a special insert that accommodates size 8 twinax contacts with ground spring.

Size 8 and Size 12 cavities can accommodate Twinax or Coax contacts; consult Amphenol for information.

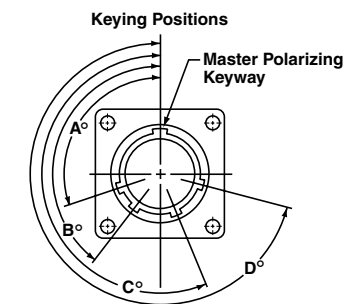
Sizes 20, 24 and 28 Hermetic; consult Amphenol Aerospace for availability.

Size 28 not available in Bayonet style.

ALTERNATE KEYING POSITIONS (ROTATION OF KEY/KEYWAY OF SHELL)

To avoid cross-plugging problems in applications requiring the use of more than one connector of the same size and arrangement, alternate keying positions are available as indicated in the chart below. The diagram shows the engaging view of a receptacle shell with keyways. The insert is rotated counter-clockwise relative to the center-line. Plug shells would be the opposite of this diagram.

In the "Normal insert position" (position N), the insert center line coincides with the center-line of the master key/keyway of the shell. In the "alternate keying positions" (positions 6, 7, 8, 9 and Y), the minor keys/keyways are positioned with reference to master key/keyway as indicated in the keying position table.



Shown is Engaging Face View of Receptacle Shell with Keyways (Plug Shell Keys would be Opposite)

ALTERNATE KEYING POSITIONS OF SHELL

Shell Size	Polarizing Position	Key/Keyway Positions			
		A°	B°	C°	D°
8 thru 24	N	105	140	215	265
	6	102	132	248	320
8 & 10	7	80	118	230	312
	8	35	140	205	275
	9	64	155	234	304
10 only	Y††	25	115	220	270
	6	18	149	192	259
	7	92	152	222	342
12, 14, 16, 18, 20, 22, 24 and 28	8	84	152	204	334
	9	24	135	199	240
	Y††	98	152	268	338

ESC 11 (HTK SERIES) ONLY

Shell Size	Polarizing Position	Key/Keyway Positions			
		A°	B°	C°	D°
	N	95	145	220	255
	6	101	168	211	342
14 thru 24	7	18	138	208	268
	8	26	156	208	276
	9	120	161	225	336

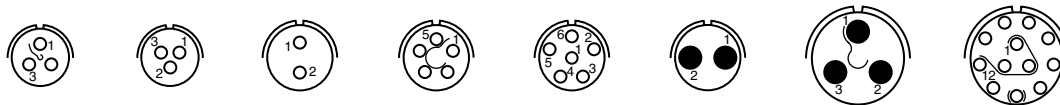
†† Position Y supersedes inactive positions 10 and Z designations. Ref. MIL-STD-1554.

For ordering Pyle 83723 accessories, contact Amphenol Aerospace.

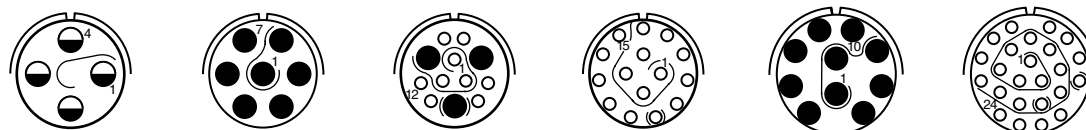
For ordering information on Backshells, see Backshell section of this catalog, family J.

Insert Arrangements

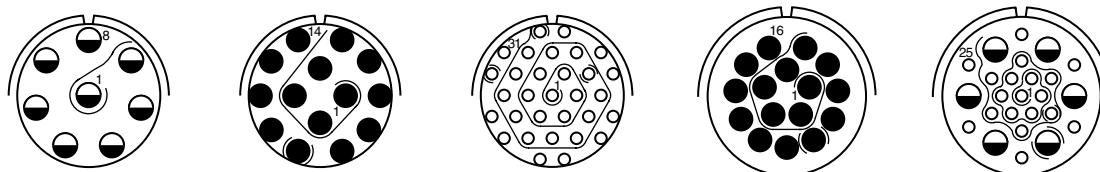
Front face of pin insert or rear face of socket insert illustrated



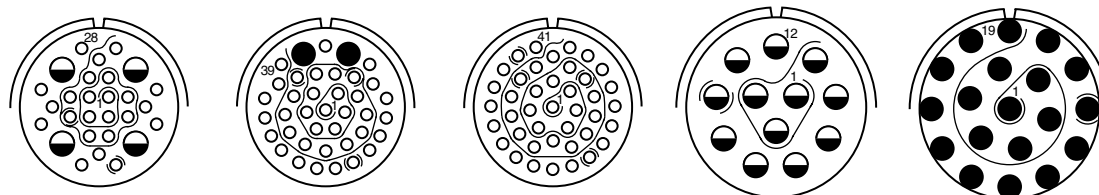
Insert Arrangement	08-03	08-98	10-02**	10-05	10-06	10-20	12-03***	12-12
Service Rating	I	I	I	I	I	I	I	I
Number of Contacts	3	3	2	5	6	2	3	12
Contact Size	20	20	20	20	20	16	16	20



Insert Arrangement	14-04***	14-07***	14-12**	14-15	16-10***	16-24
Service Rating	I	I	I	I	I	I
Number of Contacts	4	7	9	3	15	24
Contact Size	12	16	20	16	20	20



Insert Arrangement	18-08	18-14***	18-31	20-16***	20-25	
Service Rating	I	I	I	I	I	
Number of Contacts	8	14	31	16	19	6
Contact Size	12	16	20	16	20	12



Insert Arrangement	20-28**	20-39	20-41	22-12**	22-19***		
Service Rating	I	I	I	I	I		
Number of Contacts	24	4	37	2	41	12	19
Contact Size	20	12	20	16	20	12	16

† Not an MS layout.

* Special - consult Amphenol Aerospace for availability.

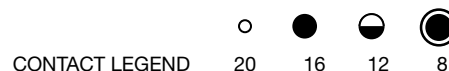
** Special Pyle with Matrix 83723 insert (ESC10 type, EN2997 Spec); consult Amphenol Aerospace for availability.

*** Boeing Qualified Arrangements (See Boeing How to Order page 31)

Size 8 and Size 12 cavities can accommodate Twinax or Coax contacts; consult Amphenol Aerospace for information.

Sizes 20, 24 and 28 Hermetic; consult Amphenol Aerospace for availability.

Size 28 not available in Bayonet style.



83723 III

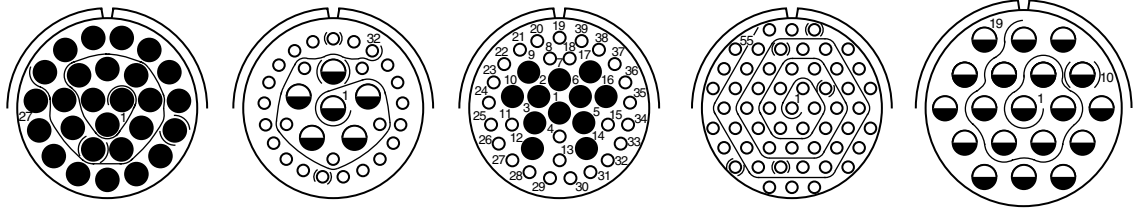
Pyle

K

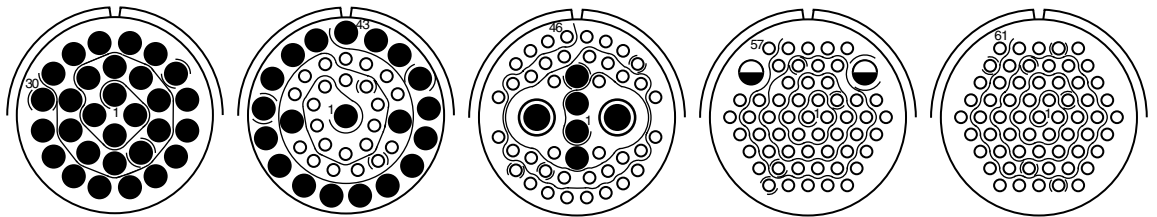
MIL-DTL-83723, Series III, Pyle®

Insert Arrangements

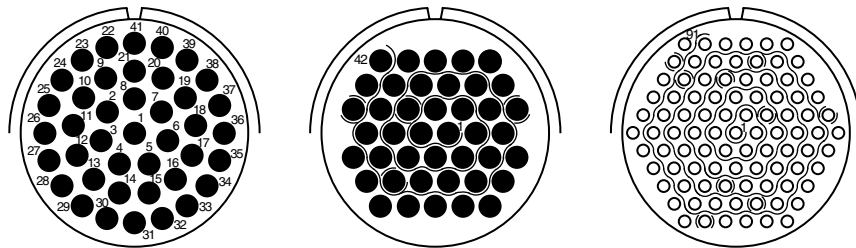
Front face of pin insert or rear face of socket insert illustrated



Insert Arrangement	22-27	22-32**		22-39**		22-55	24-19†
Service Rating	I	I		I		I	I
Number of Contacts	27	26	6	27	12	55	19
Contact Size	16	20	12	20	16	20	12



Insert Arrangement	24-30†***	24-43**		24-46†		24-57	24-61	
Service Rating	I	I		I		I	I	
Number of Contacts	30	23	20	40	4	2	55	61
Contact Size	16	20	16	20	16	8 Twinax	20	12



Insert Arrangement	28-41†	28-42†***	28-91†*
Service Rating	I	I	I
Number of Contacts	41	42	91
Contact Size	16	16	20

† Not an MS layout.

* Special - consult Amphenol Aerospace for availability.

** Special Pyle with Matrix 83723 insert (ESC10 type, EN2997 Spec); consult Amphenol for availability.

*** Boeing Qualified Arrangements (See Boeing How to Order page 31)

24-19 is a special ground plane insert with purchased size 12 Coax contacts; consult Amphenol Aerospace for information.

24-46 is a special insert that accommodates size 8 twinax contacts with ground spring.

Size 8 and Size 12 cavities can accommodate Twinax or Coax contacts; consult Amphenol Aerospace for information.

Sizes 20, 24 and 28 Hermetic; consult Amphenol Aerospace for availability.

Size 28 not available in Bayonet style.



CONTACT LEGEND

20 16 12 8

How to Order – Military or Commercial Designation

	1.	2.	3.	4.	5.
	Connector Type	Connector Style and Contact Type (Crimp)	Service Class	Shell Size/ Insert Arrangement	Alternate Keying Position of Shell
MILITARY	M83723	/82	G	16-24	6

	1.	2.	3.	4.	5.	6.	7.	8.
	Connector Style	Service Class	Shell Style	Shell Size/ Insert Arrangement	Contact Type	Alternate Contact Finish or Without Contacts	Alternate Keying Position of Shell	Variations
COMMERCIAL	BT	G	-17	16-24	S	D	06	XXX

1. MILITARY CONNECTOR TYPE

M83723	Designates MIL-DTL-83723 Series III Connectors
---------------	--

(Refer to military specification slash sheet number).
(How to Order Hermetic Styles is provided on page 36).

2. CONNECTOR STYLE

/71	Bayonet, square flange receptacle, with sockets
/72	Bayonet, square flange receptacle, with pins
/73	Bayonet, jam nut (D-hole mount) recept., with sockets
/74	Bayonet, jam nut (D-hole mount) recept., with pins
/75	Bayonet, straight plug, with sockets
/76	Bayonet, straight plug, with pins
/82	Threaded, square flange receptacle, with sockets
/83	Threaded, square flange receptacle, with pins
/84	Threaded, jam nut (D-hole mount) recept., with sockets
/85	Threaded, jam nut (D-hole mount) recept., with pins
/86	Threaded, straight plug, with sockets
/87	Threaded, straight plug, with pins
/95	Threaded, non-decoupling plug, with sockets
/96	Threaded, non-decoupling plug, with pins
/97	Threaded, non-decoupling plug, with EMI grounding spring, with sockets
/98	Threaded, non-decoupling plug, with EMI grounding spring, with pins

3. SERVICE CLASS

G	Stainless steel
K	Stainless steel firewall

Note: See Matrix 83723 styles for aluminum classes A, R and W.

4. SHELL SIZE & INSERT ARRANGEMENT FROM CHART ON PG. 26

(except size 28 is not available in Bayonet Style)
First number represents Shell Size, second number is the Insert Arrangement

5. ALTERNATE KEYING POSITION - ROTATION OF MASTER KEY/KEYWAY OF SHELL

Use N for normal. Use 6, 7, 8, 9 or Y for alternate keying positions. See page 26 for descriptions.

1. COMMERCIAL CONNECTOR/ M83723 SERIES II

BT	Threaded with 'O' ring seal in receptacle
BY	Bayonet with 'O' ring seal in receptacle

(How to Order Hermetic Styles is provided on page 36).

2. SERVICE CLASS

G	Stainless steel
K	Stainless steel firewall

Note: See Matrix 83723 styles for aluminum classes A, R and W.

3. SHELL STYLE

-10	Straight plug, bayonet coupling only
-11	Straight plug, threaded coupling only
-12	Non-decoupling plug, threaded coupling only
-12F	Modification 360° accessory teeth per MS3155, EMI grounding spring on plug only. For /97 & /98 only.
-17	Square flange receptacle
-19	Jam nut (D-hole mount) receptacle

4. SHELL SIZE & INSERT ARRANGEMENT FROM CHART ON PG. 26

(except size 28 is not available in Bayonet Style)
First number represents Shell Size, second number is the Insert Arrangement.

5. CONTACT TYPE (CRIMP)

P	Pin contacts
S	Socket contacts

6. ALTERNATE CONTACT FINISH/ WITHOUT CONTACTS

D	Gold per SAE AS39029*
E	Without contacts

7. ALTERNATE KEYING POSITION - ROTATION OF MASTER KEY/KEYWAY OF SHELL

Use N for normal. Use 06, 07, 08, 09 or Y for alternate keying positions. See page 26 for descriptions.

8. VARIATIONS

Consult Amphenol Aerospace for information.

*Supersedes MIL-C-39029

MIL-DTL-83723, Series III, Pyle®

How to Order – Pyle Commercial - Designed to Meet General Electric Specifications

	1.	2.	3.	4.	5.	6.	7.	8.
	Connector Type	Shell Style	Shell Modification (Accessory Teeth)	Shell Size/ Insert Arrangement	Contact Type	Alternate Contact Finish or Without Contacts	Alternate Keying Position of Shell	Variations
PYLE COMMERCIAL DESIGNED TO MEET G. E. SPECIFICATIONS	BJ	-17	E	16-24	S	D	06	XXXX

1. COMMERCIAL CONNECTORS DESIGNED TO GENERAL ELECTRIC SPECIFICATIONS

BJ	Threaded, stainless steel, static/dynamic seal in receptacle
BJ8	Threaded, stainless steel, scoop proof recessed pins, static/dynamic seal in receptacle
BN	Electro-deposited nickel plating, threaded, stainless steel, static/dynamic seal in receptacle
BN8	Electro-deposited nickel plating, threaded, stainless steel, scoop proof recessed pins, static/dynamic seal in receptacle
BNK	Stainless steel firewall, electro-deposited nickel plating, threaded, stainless steel, static/dynamic seal in receptacle

3. SHELL MODIFICATION

E	360° accessory teeth per MS3155 Plug and receptacle
F	360° accessory teeth per MS3155, EMI grounding spring on Plug only
G	3 accessory teeth, EMI grounding spring on plug only

5. CONTACT TYPE (CRIMP)

P	Pin contacts
K	#20 Pins with #18 crimpwell
S	Socket contacts
L	#20 Sockets with #18 crimpwell

7. ALTERNATE KEYING POSITION - ROTATION OF MASTER KEY/KEYWAY OF SHELL

Use N for normal. Use 06, 07, 08, 09 or Y for alternate keying positions. See page 26 for descriptions.

2. SHELL STYLE

-10	Bayonet plug
-11	Threaded straight plug
-12	Threaded non-decoupling plug
-17	Square flange receptacle
-19	Jam nut (d-hole mount) receptacle

4. SHELL SIZE & INSERT ARRANGEMENT FROM CHART ON PG. 26

First number represents Shell Size, second number is the Insert Arrangement.

6. ALTERNATE CONTACT FINISH OR WITHOUT CONTACTS

D	Gold per SAE AS39029*
E	Without contacts

8. VARIATION FOR GENERAL ELECTRIC

Y176	260°C per G.E. M50TF3564, Class B, No accessory teeth
Y185	Older style with 200°C capability - european market (Superseded by Y163)
Y186	260°C capability per G. E. M50TF3564 Class B**
Y188	200°C capability per G. E. M50TF3564 Class A**

Another variation available with molding groove for potting - consult Amphenol Aerospace for ordering information.

* Supersedes MIL-C-39029

** Also see Hermetic styles that meet G.E. specification M50TF3564, Classes A & B on page 36.

How to Order – Boeing Designation (BACC63CM/CN*) or Pyle Commercial Equivalent

	1.	2.	3.	4.	5.	6.	7.	8.
	Connector Type	Shell Style	Boeing Spec. Qualified Shell Size	Shell Modification (Accessory Teeth)	Boeing Spec. Qualified Insert Arrangement	Contact Style	Alternate Keying Position of Shell	Without Contacts Option
BOEING CO. DESIGNATION	BACC63	CM	18	B	14	P	8	A

	1.	3.	4.	5.	6.	7.	8.	
	Connector Type	Shell Style	Shell Modification (Accessory Teeth)	Shell Size/ Insert Arrangement	Contact Type	Alternate Contact Finish or Without Contacts	Alternate Keying Position of Shell	Variation
PYLE COMMERCIAL EQUIV. TO BOEING BACC63CM/CN	BSK	-12	E	18-14	P	D	08	XXX

1. BOEING BACC63 FIREWALL CONNECTORS

BACC63	Boeing Designation BACC63CM/CN** Firewall Connectors
---------------	--

(Refer to military specification slash sheet number.)

** BACC63CM/CN supersedes BACC63BR/BT

2. SHELL STYLE

CM	Threaded, non-decoupling plug stainless steel firewall
CN	Threaded, square flange receptacle, stainless steel firewall

3. BOEING SPECIFICATION QUALIFIED SHELL SIZE

12, 14, 16, 18, 20, 22, 24, 28

4. SHELL MODIFICATION

-	Accessory teeth per MIL-DTL-83723, series III (normally 3 teeth)
B	360° accessory teeth per MS3155 plug and receptacle
D	360° accessory teeth per MS3155, EMI grounding spring on plug only

5. BOEING SPECIFICATION QUALIFIED INSERT ARRANGEMENT FROM CHART ON PG. 26

12-03, 14-04, 14-07, 16-10, 18-14, 20-16, 22-19, 24-30, 28-42 (these incorporate Boeing approved contacts)

6. CONTACT TYPE (CRIMP)

P	Pin contacts, gold plate per SAE AS39029*
S	Socket contacts, gold plate per SAE AS39029*

7. ALTERNATE KEYING POSITION - ROTATION OF MASTER KEY/KEYWAY OF SHELL

Use N for normal. Use 6, 7, 8, 9 or Y for alternate keying positions. See page 26 for descriptions.

8. WITHOUT CONTACTS OPTION

A	With contacts and sealing plugs.
	No code without contacts and sealing plugs.

*Supersedes MIL-C-39029

1. COMMERCIAL TYPE TO BOEING BACC63

BSK	Threaded with 'O' ring seal in receptacle
------------	---

2. SHELL STYLE

-12	Threaded, non-decoupling plug stainless steel firewall
-17	Threaded, square flange receptacle, stainless steel firewall

3. SHELL MODIFICATION

E	360° accessory teeth per MS3155 plug and receptacle
F	360° accessory teeth per MS3155, EMI grounding Spring on plug only

No designation needed for shells with accessory teeth per MIL-DTL-83723, Series III (normally 3 teeth).

4. SHELL SIZE & INSERT ARRANGEMENT FROM CHART ON PG. 26

Shell Sizes 12, 14, 18, 20, 24, 28 are available. Shell size and insert arrangement are written together. First number represents Shell Size, second number is the Insert Arrangement.

5. CONTACT TYPE (CRIMP)

P	Pin contacts
S	Socket contacts

6. ALTERNATE CONTACT FINISH OR WITHOUT CONTACTS

D	Gold per SAE AS39029*
E	Without contacts and sealing plugs

7. ALTERNATE KEYING POSITION - ROTATION OF MASTER KEY/KEYWAY OF SHELL

Omit for N for normal. Use 06, 07, 08, 09 or Y for alternate keying positions. See page 26 for descriptions.

8. VARIATION

Y126	Contact Marking per MIL-DTL-83723/33 & /34 (Required with BACC63CM/CN Series)
-------------	---

No variation suffix - connector will incorporate Mil-Spec AS39020 contacts

MIL-DTL-83723, Series III, Pyle®

How to Order – ASD Designation

	1.	2.	3.	4.	5.	6.
	Connector Type	Service Class	Shell Style	Shell Size/Insert Arrangement	Contact Style	Alternate Keying Position of Shell
ASD DESIGNATION	EN2997	KE	6	16-24	F	6

1. ASD DESIGNATED/EUROPE

EN2997	ASD Designated/Europe an Standards Connector Type
---------------	---

Note: ASD supersedes AECMA Designation

3. SHELL STYLE

0	Threaded, Square Flange Receptacle
1	Threaded, Solder Mount receptacle, Hermetic only
6	Threaded non-decoupling plug
7	Threaded Jam Nut (D-Hole Mount) Receptacle

5. SELECT A CONTACT TYPE (CRIMP)

M	Standard Pin Contacts
C	#20 Pins with #18 crimpwell
A	Pin Insert less Contacts
F	Standard Socket Contacts
D	#20 Sockets with #18 crimpwell
B	Socket Insert less Contacts

2. SERVICE CLASS-STANDARD TEMPERATURE

K	Threaded, stainless steel, 200°C
S	Threaded, Stainless Steel, EMI Grounding Spring on Plug, 200°C
Y*	Stainless Steel Hermetic with Solderwell Contacts, 200°C

2. SERVICE CLASS-HIGH TEMPERATURE CLASS

KE	Threaded, Stainless Steel Firewall, 260°C
SE	Threaded, Stainless Steel, EMI Grounding Spring on Plug, 260°C
YE*	Stainless Steel Hermetic with Solderwell Contacts, 260°C

4. SHELL SIZE & INSERT ARRANGEMENT FROM CHART ON PG. 26

First number represents Shell Size, second number is the Insert Arrangement.

6. ALTERNATE KEYING POSITION - ROTATION OF MASTER KEY/KEYWAY OF SHELL

Use N for normal. Use 6, 7, 8, 9 or Y for alternate keying positions. See page 26 for descriptions.

*Amphenol is no longer QPL supplier for EN2997Y, EN2997YE and ESC10YE we are able to provide commercial equivalent please contact Amphenol Aerospace for more information

How to Order – Pyle Commercial Equivalents to ASD Designation/European Standards

	1.	2.	3.	4.	5.	6.	7.	8.	9.
	Connector Type	Service Class	Shell Style	Shell Modification (Accessory Teeth)	Shell Size/ Insert Arrangement	Contact Type	Alternate Contact Finish or Without Contacts	Alternate Keying Pos. of Shell	Variations
COMMERCIAL MEET ASD & EUROPEAN STDS.	BT	G	-12	E	18-14	P	D	08	XXX

1. CONNECTOR TYPE

BT	Threaded with 'O' ring seal in receptacle
BJ	Threaded, Stainless Steel, Static/Dynamic Seal in receptacle

2. SERVICE CLASS

G	Stainless steel
K	Stainless steel Firewall

3. SHELL STYLE

-12	Threaded, Non-Decoupling Plug
-17	Threaded, Square Flange Receptacle
-19	Threaded, Jam Nut (D-Hole Mount) Receptacle

4. SHELL MODIFICATION

E	360° Accessory Teeth per MS3155 Plug and Receptacle
F	360° Accessory Teeth per MS3155, EMI Grounding Spring on Plug only

No designation needed for shells with accessory teeth per MIL-DTL-83723, Series III (normally 3 teeth).

5. SHELL SIZE & INSERT ARRANGEMENT FROM CHART ON PG. 26

First number represents Shell Size, second number is the Insert Arrangement.

6. CONTACT TYPE (CRIMP)

P	Pin Contacts
S	Socket Contacts

7. ALT CONTACT FINISH OR WITHOUT CONTACTS

D	Gold per SAE AS39029*
E	Without contacts

8. ALTERNATE KEYING POSITION - ROTATION OF MASTER KEY/KEYWAY OF SHELL

Use N for normal. Use 06, 07, 08, 09 or Y for alternate keying positions. See page 26 for descriptions.

9. VARIATIONS

Y144	260°C Capability (Euro Market)
Y163	200°C Capability (Euro Market)
Y175	Older designation superseded by Y144

*Supersedes MIL-C-39029

MIL-DTL-83723, Series III, Pyle®

How to Order – ESC10/11 for SBAC and Rolls Royce Standards

	1.	2.	3.	4.	5.	6.	7.
	Connector Type	Service Class	Shell Style	Shell Size/ Insert Arrangement	Contact Type	Alternate Keying Position of Shell	Variations
MEETS SOCIETY OF BRITISH AEROSPACE CO./ ROLLS ROYCE STANDARDS	ESC10	KE	0	16-24	S	6	X

1. CONNECTOR TYPE

ESC10	Threaded, Basic High Temperature Connector, 260°C Firewall
ESC11	Threaded, High Temperature Connector (260°C Firewall) with 100% Scoop-Proof Recessed Pins

2. SERVICE CLASS

KE	Threaded, Stainless Steel Firewall, 260°C
SE	Threaded, Stainless Steel, EMI Grounding Spring on Plug, 260°C
YE*	Threaded, Stainless Steel Hermetic with Solderwell Contacts, 260°C

*Amphenol is no longer QPL supplier for EN2997Y, EN2997YE and ESC10YE we are able to provide commercial equivalent please contact Amphenol Aerospace for more information

3. SHELL STYLE

0	Threaded, Square Flange Receptacle with 360° Accessory Teeth per MS3155
1	Threaded, Hermetic Solder Mount Receptacle
2	Threaded, Hermetic Square Flange Receptacle
3	Threaded, Hermetic Jam Nut (D-Hole Mount) Receptacle
6	Threaded, Non-Decoupling Plug with 360° Accessory Teeth per MS3155

4. SHELL SIZE & INSERT ARRANGEMENT FROM CHART ON PG. 26

First number represents Shell Size, second number is the Insert Arrangement.

5. CONTACT TYPE (CRIMP)

P	Pin Contacts
S	Socket Contacts

All connectors are supplied without contacts except Shell Styles 1, 2 and 3

6. ALTERNATE KEYING POSITION - ROTATION OF MASTER KEY/KEYWAY OF SHELL.

Use N for normal. Use 6, 7, 8, 9 or Y for alternate keying positions. See page 26 for descriptions.

7. VARIATIONS

O (Alpha)	Basic Connector, no Variations
A	Lockwire Holes on Plug

How to Order – Pyle Commercial Equivalent to ESC11 European Specifications – Scoop-Proof only

	1.	2.	3.	4.	5.	6.	7.
	Connector Type	Shell Style	Shell Size/ Insert Arrangement	Contact Type	Contact Finish	Alternate Keying Position of Shell †	Modification Number
COMMERCIAL	HTK	12	16-24	S	D	06	XXX

1. COMMERCIAL EQUIVALENT TO ESC11 EUROPEAN

HTK	Threaded, Basic ESC-11, Class K (Choice of temperature rating 260° or 200° is in the Variations for this part number).
HNK	Same as HTK except Electroless Nickel Plated
HSK	Same as HTK, except this is a special designator for Boeing Company

2. SHELL STYLE

-12	Threaded Non-Decoupling Plug with 100% Scoop-Proof Recessed Pins
-17	Square Flange Receptacle with 100% Scoop-Proof Recessed Pins

3. SHELL SIZE & INSERT ARRANGEMENT FROM CHART ON PG. 26

Shell Sizes 12, 14, 18, 20, 24, 28 are available. Shell size and insert arrangement are written together. First number represents Shell Size, second number is the Insert Arrangement.

4. CONTACT TYPE (CRIMP)

P	Pin Contacts
S	Socket Contacts

5. CONTACT FINISH OR WITHOUT CONTACT

D	Gold per AS39029*
E	Socket Contacts

Special High Temperature Contacts are another option - consult Amphenol Aerospace for ordering information.

6. ALTERNATE KEYING POSITION - ROTATION OF MASTER KEY/KEYWAY OF SHELL

Use N for normal. Use 06, 07, 08, 09 or Y for alternate keying positions. See page 26 for descriptions.

7. VARIATIONS

Y144	260°C
Y163	200°C

*Supersedes MIL-C-39029

MIL-DTL-83723, Series III, Pyle®

How to Order – Hermetic, Military or Pyle Commercial

	1.	2.	3.	4.	5.
	Connector Type	Connector Style and Contact Type (Crimp)	Service Class	Shell Size/Insert Arrangement	Alternate Keying Position of Shell
MILITARY HERMETIC	M83723	/88	y	16-24	6

	1.	2.	3.	4.	5.	6.	7.	8.
	Connector Style	Shell Style	Shell Size/Insert Arrangement	Contact Type	Contact Style	Alternate Contact Finish	Alternate Keying Position of Shell	Variations
COMMERCIAL HERMETIC	BTY	-17	16-24	S	1	D	06	XXXX

1. MILITARY CONNECTOR TYPE

M83723	Designates MIL-DTL-83723 Series III Connectors
---------------	--

2. MILITARY HERMETIC CONNECTOR STYLE

/88	Hermetic, Threaded Square Flange Receptacle
/89	Hermetic, Threaded Jam Nut (D-Hole Mount) Receptacle
/90	Hermetic, Threaded Solder Mounted Receptacle

(Refer to military specification slash sheet number.)

3. SERVICE CLASS

Y	Hermetic, Stainless Steel, 200°C, with Solderwell Contacts
H	Hermetic, Tin Plated Carbon Steel, 150° C

For availability of a Plated Steel Shell, consult Amphenol Aerospace.

4. SHELL SIZE & INSERT ARRANGEMENT FROM CHART ON PG. 26

(Except sizes 24 and 28 are not available in Hermetic Styles.) First number represents Shell Size, second number is the Insert Arrangement

5. ALTERNATE KEYING POSITION - ROTATION OF MASTER KEY/KEYWAY OF SHELL

Use N for normal. Use 6, 7, 8, 9 or Y for alternate keying positions. See page 26 for descriptions.

1. COMMERCIAL HERMETIC CONNECTOR STYLE

BTY	Hermetic, Threaded, Stainless Steel, with 'O' ring seal
BFY	Hermetic, Threaded, Stainless Steel, Static/Dynamic Seal
BNY	Hermetic, Threaded, Stainless Steel, Electro-deposited Nickel plated, with Static/Dynamic Seal

2. SHELL STYLE

-17	Square Flange Receptacle
-19	Jam Nut (D-Hole Mount) Receptacle
-14	Solder Mounted Receptacle

3. SHELL SIZE & INSERT ARRANGEMENT FROM CHART ON PG. 26

(Except sizes 24 and 28 are not available in Hermetic Styles). First number represents Shell Size, second number is the Insert Arrangement

4. CONTACT TYPE (CRIMP)

P	Pin Contacts
----------	--------------

5. CONTACT STYLE

1	Solderwell Contacts (Mil-Spec Type)
4	Eyelet Contacts

6. ALTERNATE CONTACT FINISH

D	.000050 (per MIL-DTL-83723, III) Gold
V	.000100 Gold

7. ALTERNATE KEYING POSITION - ROTATION OF MASTER KEY/KEYWAY OF SHELL

Omit for normal. Use 06, 07, 08, 09 or Y for alternate keying positions. See page 26 for descriptions.

8. VARIATIONS

Y144	260°C Capability (Euro Market)
Y163	200°C Capability (Euro Market)
Y186	260°C Capability per G.E. M50TF3564, Class B
Y188	200°C Capability per G.E. M50TF3564, Class A

Square Flange Receptacle, Threaded Coupling

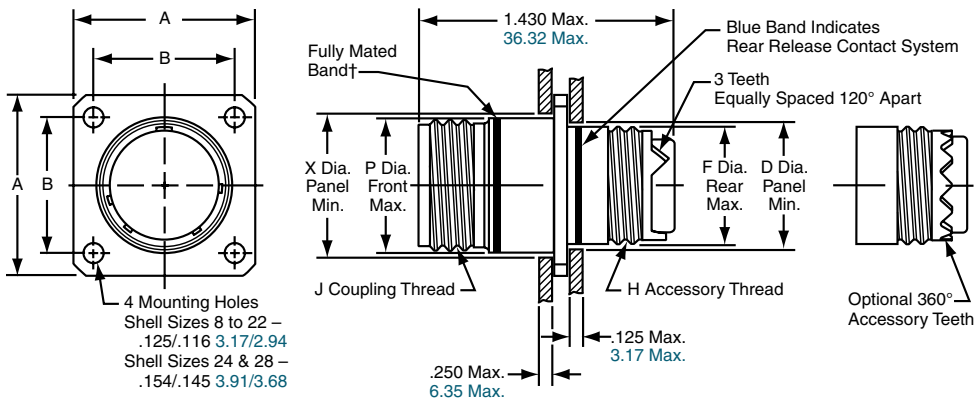


Military (M83723/82, /83), Commercial (BT()-1, BJ, BJ8, BN, BN8, BNK-17, BACC63CN, BSK-17, EN2997()0, BT(), BJ()-17, ESC10()0, ESC11()0 HTK, HNK, HSK-17)

QUICK REFERENCE Page
PART NUMBER BUILDER Page 42-46

MILITARY
M83723/86
M83723/87

Commercial
BT()-17
BJ, BJ8, BN, BN8
BNK-17
BACC63CN
BSK-17
EN2997()0
BT(), BJ()-17
ESC10()0
ESC11()0
HTK, HNK, HSK-17



† When fully mated with plug, this band will be covered. (Band is red on military types; can be red or blue on commercial types).

Inches

Shell Size	A ±.005	B ±.005	D Dia. Panel Min.	F Dia. Rear Max.	H Accessory Thread Class 2A	J Coupling Thread Class 2A	P Dia. Front Max.	X Dia. Panel Min.
8	.812	.594	.510	.500	.5000-20 UNF	.5625-24 UNF	.562	.620
10	.937	.719	.635	.625	.6250-24 UNEF	.6875-24 UNEF	.696	.748
12	1.031	.812	.760	.750	.7500-20 UNEF	.8750-20 UNEF	.875	.913
14	1.125	.906	.885	.875	.8750-20 UNEF	.9375-20 UNEF	.936	.980
16	1.250	.969	1.010	1.000	1.0000-20 UNEF	1.0625-18 UNEF	1.062	1.107
18	1.343	1.062	1.072	1.062	1.0625-18 UNEF	1.1875-18 UNEF	1.187	1.209
20	1.437	1.156	1.192	1.187	1.1875-18 UNEF	1.3125-18 UNEF	1.312	1.337
22	1.562	1.250	1.322	1.312	1.3125-18 UNEF	1.4375-18 UNEF	1.437	1.452
24	1.703	1.375	1.447	1.437	1.4375-18 UNEF	1.5625-18 UNEF	1.562	1.577
28	1.953	1.562	1.760	1.750	1.7500-18 UNEF	1.8125-16 UNEF	1.812	1.827

Millimeters

Shell Size	A ±.005	B ±.005	D Dia. Panel Min.	F Dia. Rear Max.	P Dia. Front Max.	X Dia. Panel Min.
8	20.62	15.09	12.95	12.70	14.27	15.75
10	23.80	18.26	16.13	15.88	17.68	18.99
12	26.19	20.62	19.30	19.05	22.23	23.19
14	28.58	23.01	22.48	22.23	23.77	24.89
16	31.75	24.61	25.65	25.40	26.97	28.12
18	34.11	26.97	27.23	26.97	30.15	30.71
20	36.50	29.36	30.28	30.15	33.32	33.96
22	39.67	31.75	33.58	33.32	36.50	36.88
24	43.26	34.93	36.75	36.50	39.67	40.06
28	49.61	39.67	44.70	44.45	46.02	46.41

Shell sizes 8 and 10 are not available in Boeing BACC63 styles and commercial ESC11 styles. Bayonet style square flange receptacles are shown on page 40. Hermetic threaded style square flange receptacles are shown on page 43. All dimensions for reference only.

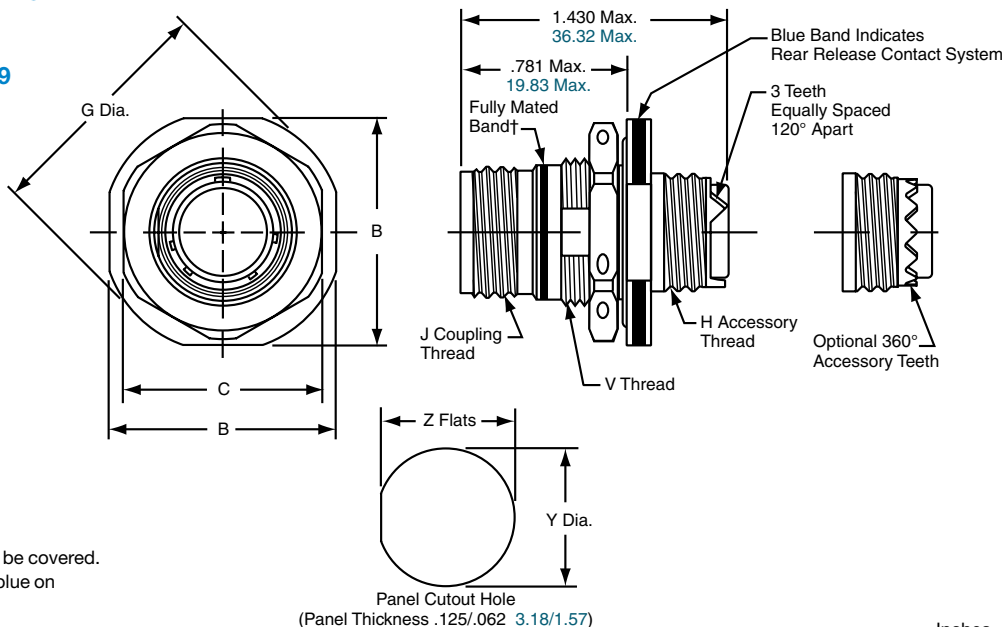
Jam Nut (D-Hole Mount) Recpt, Threaded Coupling

Military (M83723/84 & /85), Commercial (BT()-19, BJ, BJ8, BN, BN8, BNK-19, EN2997()7, BT(), BJ()-19)

QUICK REFERENCE Page
PART NUMBER BUILDER Page 42-46

MILITARY
M83723/84
M83723/87

Commercial
BT()-19
BJ, BJ8, BN, BN8
BNK-19
EN2997()7
BT(), BJ()-19



† When fully mated with plug, this band will be covered.
(Band is red on military types; can be red or blue on commercial types).

Inches

Shell Size	B Max.	C Hex Max.	G Dia. Max.	H Accessory Thread Class 2A	J Coupling Thread Class 2A	V Thread Class 2A	Y Dia. ±.005	Z Flats ±.005
8	.979	.828	1.068	.5000-20 UNF	.5625-24 UNF	.6250-20 UNEF	.635	.605
10	1.104	.953	1.192	.6250-24 UNEF	.6875-24 UNEF	.7500-20 UNEF	.760	.730
12	1.291	1.140	1.380	.7500-20 UNEF	.8750-20 UNEF	.9380-20 UNEF	.947	.917
14	1.391	1.205	1.505	.8750-20 UNEF	.9375-20 UNEF	1.0000-20 UNEF	1.010	.980
16	1.516	1.329	1.630	1.0000-20 UNEF	1.0625-18 UNEF	1.1250-18 UNEF	1.135	1.105
18	1.641	1.455	1.756	1.0625-18 UNEF	1.1875-18 UNEF	1.2500-18 UNEF	1.260	1.225
20	1.766	1.574	1.860	1.1875-18 UNEF	1.3125-18 UNEF	1.3750-18 UNEF	1.385	1.350
22	1.954	1.705	2.068	1.3125-18 UNEF	1.4375-18 UNEF	1.5000-18 UNEF	1.510	1.475
24	2.074	1.830	2.160	1.4375-18 UNEF	1.5625-18 UNEF	1.6250-18 UNEF	1.635	1.600
28	2.329	2.080	-	1.7500-18 UNEF	1.8125-16 UNEF	1.8750-20 UNEF	1.885	1.850

Millimeters

Shell Size	B Max.	C Hex Max.	G Dia. Max.	Y Dia. ±.13	Z Flats ±.13
8	24.87	21.03	27.13	16.13	15.37
10	28.04	24.21	30.28	19.30	18.54
12	32.79	28.96	35.05	24.05	23.29
14	35.33	30.61	38.23	25.65	24.89
16	38.51	33.76	41.40	28.83	28.07
18	41.68	36.96	44.60	32.00	31.12
20	44.86	39.98	47.24	35.18	34.29
22	49.63	43.31	52.53	38.35	37.47
24	52.68	46.48	80.26	41.53	40.64
28	59.16	52.83	-	47.88	46.99

No Boeing Designated jam nut receptacles.
Bayonet style jam nut receptacles shown on page 40.
Hermetic threaded style jam nut receptacles shown on page 43.
All dimensions for reference only.

83723 III
Pyle

K

Straight Plug and Non-Decoupling Plug, Threaded Coupling

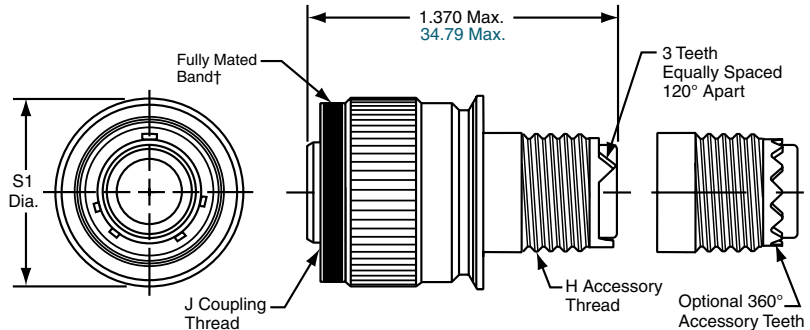
Military (M83723/86, /87, /95, /96, /97, /98), Commercial (See below)

QUICK REFERENCE Page
PART NUMBER BUILDER Page 42-46

MILITARY
M83723/86
M83723/87

Commercial
BY()-11
BJ, BJ8
BN, BN8, BNK-11

STRAIGHT PLUG

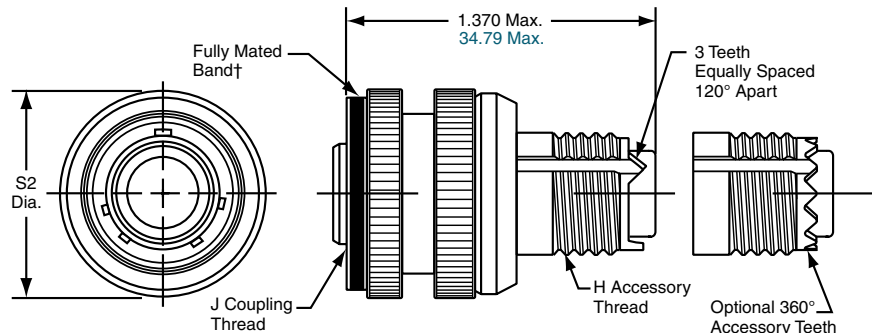


QUICK REFERENCE Page
PART NUMBER BUILDER Page 42-46

MILITARY
M83723/95
M83723/96
M83723/97
M83723/98

Commercial
BT()-12
BJ, BJ8, BN, BN8
BNK-12
BACC63CM
BSK-12
EN2997()6
BT(), BJ()-12
ESC10()6
ESC11()6
HTK/HNK/HSK-12

NON-DECOUPLING PLUG



† When fully mated with receptacle, this band will be covered.
(Band is red on military types; can be red or blue on commercial types).

Shell Size	H Accessory Thread Class 2A	J Coupling Thread Class 2A	S1 Dia. Max.	S2 Dia. Max.
8	.5000-20 UNF	.5625-24 UNF	.776	.832
10	.6250-24 UNEF	.6875-24 UNEF	.906	.958
12	.7500-20 UNEF	.8750-20 UNEF	1.078	1.090
14	.8750-20 UNEF	.9375-20 UNEF	1.141	1.203
16	1.0000-20 UNEF	1.0625-18 UNEF	1.266	1.326
18	1.0625-18 UNEF	1.1875-18 UNEF	1.375	1.432
20	1.1875-18 UNEF	1.3125-18 UNEF	1.500	1.557
22	1.3125-18 UNEF	1.4375-18 UNEF	1.625	1.682
24	1.4375-18 UNEF	1.5625-18 UNEF	1.750	1.817
28	1.7500-18 UNEF	1.8125-16 UNEF	2.000	2.122

Inches

Shell Size	S1 Dia. Max.	S2 Dia. Max.
8	19.71	21.13
10	23.01	24.33
12	27.38	27.68
14	28.98	30.55
16	32.15	33.68
18	34.92	36.37
20	38.10	39.54
22	41.27	42.72
24	44.45	46.15
28	50.80	53.89

Millimeters

All dimensions for reference only.

Shell sizes 8 and 10 are not available in Boeing BACC63 styles and commercial ESC11 styles.
Boeing designations are in non-decoupling plugs only; not in straight plug designations.
ASD and European/ESC10 or ESC11 are in non-decoupling plugs only; not in straight plug designations.
Bayonet style straight plugs shown on page 42. Bayonet style non-decoupling plugs are not available.

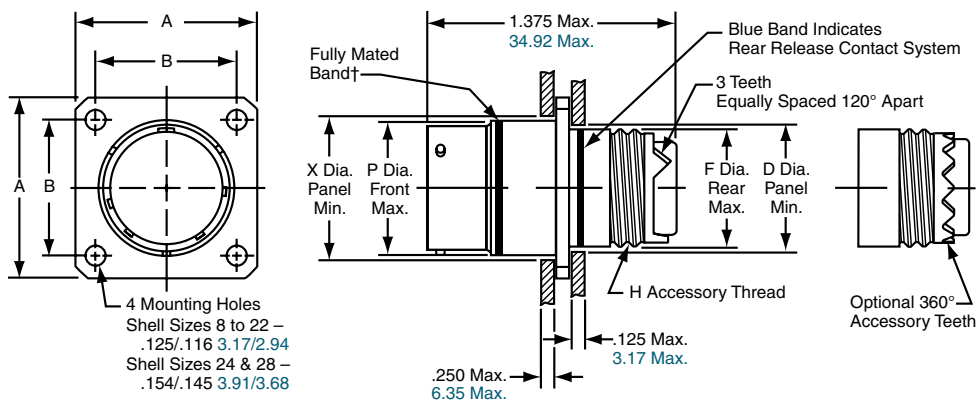
Square Flange Receptacle, Bayonet Coupling

Military (M83723/71 & 72), Commercial (BY()-17)

QUICK REFERENCE Page
PART NUMBER BUILDER Page 42-46

MILITARY
M83723/71
M83723/72

Commercial
BY()-17



† When fully mated with plug, this band will be covered.
(Band is red on military types; can be red or blue on commercial types).

Inches

Shell Size	A ±.005	B ±.005	D Dia. Panel Min.	F Dia. Rear Max.	H Accessory Thread Class 2A	P Dia. Front Max.	X Dia. Panel Min.
8	.812	.594	.510	.500	.5000-20 UNF	.562	.620
10	.937	.719	.635	.625	.6250-24 UNEF	.696	.748
12	1.031	.812	.760	.750	.7500-20 UNEF	.875	.913
14	1.125	.906	.885	.875	.8750-20 UNEF	.936	.980
16	1.250	.969	1.010	1.000	1.0000-20 UNEF	1.062	1.107
18	1.343	1.062	1.072	1.062	1.0625-18 UNEF	1.187	1.209
20	1.437	1.156	1.192	1.187	1.1875-18 UNEF	1.312	1.337
22	1.562	1.250	1.322	1.312	1.3125-18 UNEF	1.437	1.452
24	1.703	1.375	1.447	1.437	1.4375-18 UNEF	1.562	1.577

Millimeters

Shell Size	A ±.005	B ±.005	D Dia. Panel Min.	F Dia. Rear Max.	P Dia. Front Max.	X Dia. Panel Min.
8	20.62	15.04	12.95	12.70	14.27	15.75
10	23.80	18.26	16.13	15.88	17.68	18.99
12	26.19	20.62	19.30	19.05	22.23	23.19
14	28.58	23.01	22.48	22.23	23.77	24.89
16	31.75	24.61	25.65	25.40	26.97	28.12
18	34.11	26.97	27.23	26.97	30.15	30.71
20	36.50	29.36	30.28	30.15	33.32	33.96
22	39.67	31.75	33.58	33.32	36.50	36.88
24	43.26	34.93	36.75	36.50	39.67	40.06

Bayonet coupling connectors are offered in Military 83723 and Commercial equivalent designations. They are not included in Boeing, GE, ASD and other European specified connectors. Shell size 28 is not available in Bayonet coupling connectors. All dimensions for reference only.

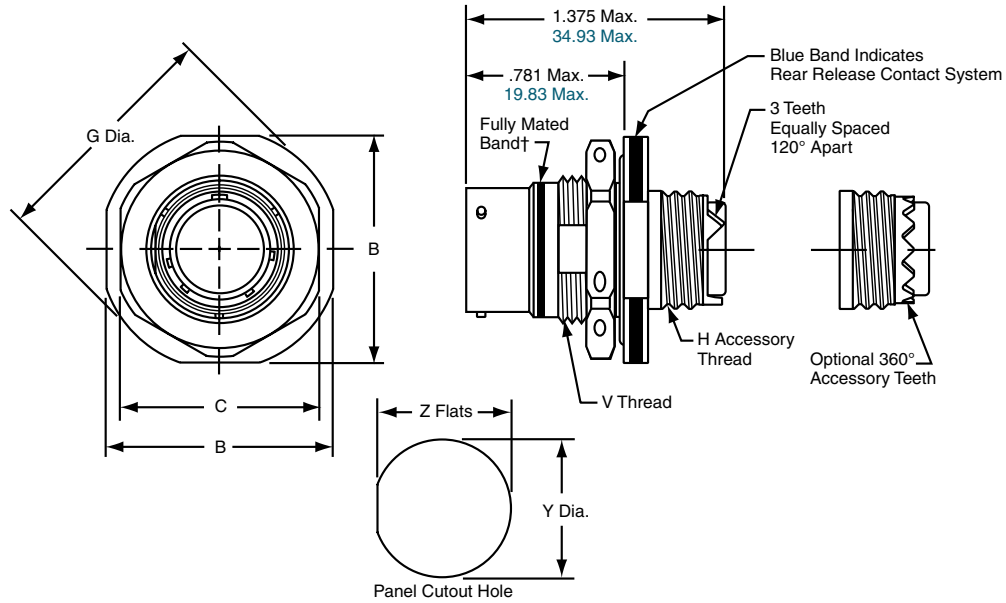
Jam Nut (D-Hole Mount) Receptacle, Bayonet Coupling

Military (M83723/73 & 74) Commercial (BY()-19)

QUICK REFERENCE Page
PART NUMBER BUILDER Page 42-46

MILITARY
M83723/73
M83723/74

Commercial BY()-19



† When fully mated with plug, this band will be covered.
(Band is red on military types; can be red or blue on commercial types).

(Panel Thickness .125/.062 3.18/1.57)

Inches

Shell Size	B Flats Max.	C Hex Max.	G Dia. Max.	H Accessory Thread Class 2A	V Thread Class 2A	Y Dia. ±.005	Z Flats ±.005
8	.979	.828	1.068	.5000-20 UNF	.6250-20 UNEF	.635	.605
10	1.104	.953	1.192	.6250-24 UNEF	.7500-20 UNEF	.760	.730
12	1.291	1.140	1.380	.7500-20 UNEF	.9380-20 UNEF	.947	.917
14	1.391	1.205	1.505	.8750-20 UNEF	1.0000-20 UNEF	1.010	.980
16	1.516	1.329	1.630	1.0000-20 UNEF	1.1250-20 UNEF	1.135	1.105
18	1.641	1.455	1.756	1.0625-18 UNEF	1.2500-18 UNEF	1.260	1.225
20	1.766	1.574	1.860	1.1875-18 UNEF	1.3750-18 UNEF	1.385	1.350
22	1.954	1.705	2.068	1.3125-18 UNEF	1.5000-18 UNEF	1.510	1.475
24	2.074	1.830	2.160	1.4375-18 UNEF	1.6250-18 UNEF	1.635	1.600

Millimeters

Shell Size	B Flats Max.	C Hex Max.	G Dia. Max.	Y Dia. ±.13	Z Flats ±.13
8	24.87	21.03	27.13	16.13	15.37
10	28.04	24.21	30.28	19.30	18.54
12	32.79	28.96	35.05	24.05	23.29
14	35.33	30.61	38.23	25.65	24.89
16	38.51	33.76	41.40	28.83	28.07
18	41.68	36.96	44.60	32.00	31.12
20	44.86	39.98	47.24	35.18	34.29
22	49.63	43.31	52.53	38.35	37.47
24	52.68	46.48	80.26	41.53	40.64

Bayonet coupling connectors are offered in Military 83723 and Commercial equivalent designations. They are not included in Boeing, GE, ASD and other European specified connectors. Shell size 28 is not available in Bayonet coupling connectors. All dimensions for reference only.

83723 III

Pyle

K

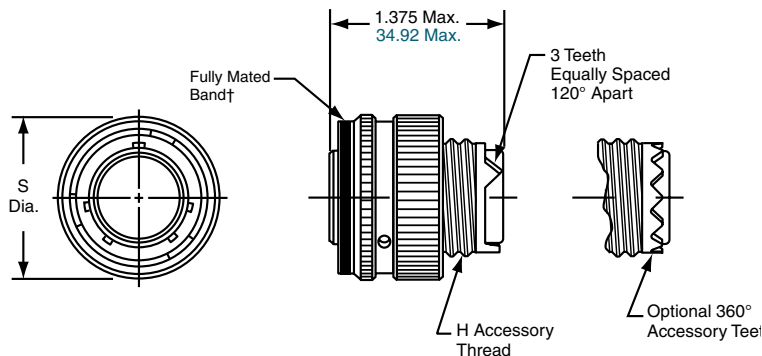
Straight Plug, Bayonet Coupling

Military (M83723/75 & /76), Commercial (BY()-10)

QUICK REFERENCE Page
PART NUMBER BUILDER Page 42-46

MILITARY
M83723/75
M83723/76

Commercial
BY()-10



† When fully mated with receptacle, this band will be covered.
(Band is red on military types; can be red or blue on commercial types).

Inches			Millimeters	
Shell Size	H Accessory Thread Class 2A	S Dia. Max.	Shell Size	S Dia. Max.
8	.5000-20 UNF	.765	8	19.43
10	.6250-24 UNEF	.906	10	23.01
12	.7500-20 UNEF	1.078	12	27.38
14	.8750-20 UNEF	1.125	14	28.57
16	1.0000-20 UNEF	1.266	16	32.15
18	1.0625-18 UNEF	1.375	18	34.92
20	1.1875-18 UNEF	1.505	20	38.22
22	1.3125-18 UNEF	1.625	22	41.27
24	1.4375-18 UNEF	1.755	24	44.57

Bayonet coupling connectors are offered in Military 83723 and Commercial equivalent designations. They are not included in Boeing, GE, ASD and other European specified connectors. Shell size 28 is not available in Bayonet coupling connectors. All dimensions for reference only.

83723 III

Pyle

K

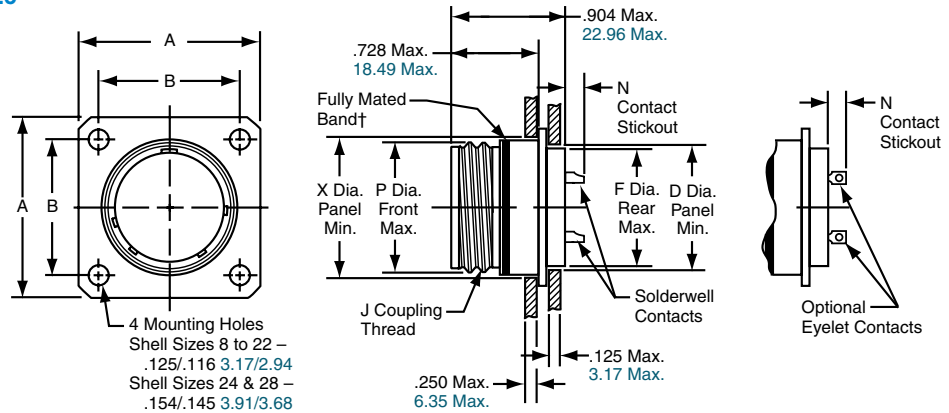
Hermetic Square Flange Mount Receptacle, Threaded Coupling

Military (MS83723/88), Commercial (BTY, BFY, BNY, EN2997, ESC10, ESC11)

QUICK REFERENCE Page
PART NUMBER BUILDER Page 42-46

MILITARY
M83723/88Y
M83723/88P

Commercial
BTY/BFY/BNY-17
EN2997Y0 / YE0
ESC10YE2
ESC11YE2



† When fully mated with plug, this band will be covered.
(Band is red on military types; can be red or blue on commercial types).

Inches

Shell Size	A ±.010	B ±.005	D Dia. Panel Min.	F Dia. Rear Max.	J Coupling Thread Class 2A	N Contact Stickout		P Dia. Front Max.	X Dia. Panel Min.
						Size 20 Contacts	Size 12 & 16 Contacts		
8	.812	.594	.510	.500	.5625-24 UNF	.194 / .134	.224 / .164	.562	.572
10	.937	.719	.635	.625	.6875-24 UNEF	.194 / .134	.224 / .164	.696	.706
12	1.031	.812	.760	.750	.8750-20 UNEF	.194 / .134	.224 / .164	.875	.885
14	1.125	.906	.885	.875	.9375-20 UNEF	.194 / .134	.224 / .164	.936	.946
16	1.250	.969	1.010	1.000	1.0625-18 UNEF	.194 / .134	.224 / .164	1.062	1.072
18	1.343	1.062	1.072	1.062	1.1875-18 UNEF	.194 / .134	.224 / .164	1.187	1.197
22	1.562	1.250	1.322	1.312	1.4375-18 UNEF	.194 / .134	.224 / .164	1.437	1.447

Millimeters

Shell Size	A ±.25	B ±.13	D Dia. Panel Min.	F Dia. Rear Max.	P Dia. Front Max.	X Dia. Panel Min.
8	20.62	15.09	12.95	12.70	14.27	15.75
10	23.80	18.26	16.13	15.88	17.68	18.99
12	26.19	20.62	19.30	19.05	22.23	23.19
14	28.58	23.01	22.48	22.23	23.77	24.89
16	31.75	24.61	25.65	25.40	26.97	28.12
18	34.11	26.97	27.23	26.97	30.15	30.71
22	39.67	31.75	33.58	33.32	36.50	36.88

Hermetic style receptacles are not included in Boeing designations.
Commercial hermetics meet some European and GE specifications.
Hermetic styles are threaded coupling only.
Shell sizes 20, 24 and 28, consult Amphenol for availability.
All dimensions for reference only.

83723 III

Pyle

K

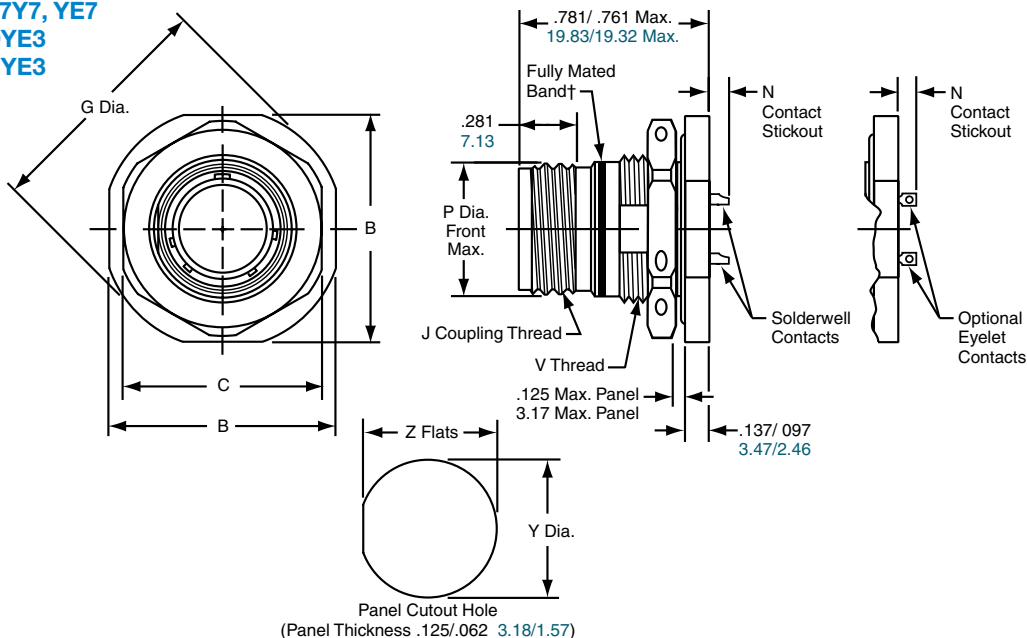
Hermetic Jam Nut (D-Hole Mount) Receptacle, Threaded Coupling

Military (MS83723/89), Commercial (BTY, BFY, BNY, EN2997, ESC10, ESC11)

QUICK REFERENCE Page
PART NUMBER BUILDER Page 42-46

MILITARY
M83723/89Y
M83723/89P

Commercial
BTY, BFY, BNY-19
EN2997Y7, YE7
ESC10YE3
ESC11YE3



† When fully mated with plug, this band will be covered.
(Band is red on military types; can be red or blue on commercial types).

Inches

Shell Size	B Flats Max.	C Hex Max.	G Dia. Max.	J Coupling Thread Class 2A	N Contact Stickout		P Dia. Front Max.	V Thread Class 2A	Y Dia. ±.005	Z Flats ±.005
					Size 20 Contacts	Size 12 & 16 Contacts				
8	.980	.828	1.068	.5625-24 UNF	.180 / .120	.210 / .150	.562	.6250-20 UNF	.635	.605
10	1.104	.953	1.192	.6875-24 UNEF	.180 / .120	.210 / .150	.696	.7500-20 UNEF	.760	.730
12	1.291	1.140	1.380	.8750-20 UNEF	.180 / .120	.210 / .150	.875	.9380-20 UNEF	.947	.917
14	1.391	1.205	1.505	.9375-20 UNEF	.180 / .120	.210 / .150	.936	1.0000-20 UNEF	1.010	.980
16	1.516	1.329	1.630	1.0625-18 UNEF	.180 / .120	.210 / .150	1.062	1.1250-18 UNEF	1.135	1.105
18	1.641	1.455	1.756	1.1875-18 UNEF	.180 / .120	.210 / .150	1.187	1.2500-18 UNEF	1.260	1.225
22	1.954	1.705	2.068	1.4375-18 UNEF	.180 / .120	.210 / .150	1.437	1.5000-18 UNEF	1.510	1.475

Millimeters

Shell Size	B Flats Max.	C Hex Max.	G Dia. Max.	N Contact Stickout		P Dia. Front Max.	Y Dia. ±.13	Z Flats ±.13
				Size 20 Contacts	Size 12 & 16 Contacts			
8	24.89	21.03	27.13	4.57 / 3.05	5.33 / 3.81	14.27	16.13	15.37
10	28.04	24.21	30.28	4.57 / 3.05	5.33 / 3.81	17.68	19.30	18.54
12	32.79	28.96	35.05	4.57 / 3.05	5.33 / 3.81	22.23	24.05	23.29
14	35.33	30.61	38.23	4.57 / 3.05	5.33 / 3.81	23.77	25.65	24.89
16	38.51	33.76	41.40	4.57 / 3.05	5.33 / 3.81	26.97	28.83	28.07
18	41.68	36.96	44.60	4.57 / 3.05	5.33 / 3.81	30.15	32.00	31.12
22	49.63	43.31	52.53	4.57 / 3.05	5.33 / 3.81	36.47	38.35	37.47

Hermetic style receptacles are not included in Boeing designations.
Commercial hermetics meet some European and GE specifications.
Hermetic styles are threaded coupling only.
Shell sizes 20, 24 and 28, consult Amphenol for availability.
All dimensions for reference only.

Hermetic Solder/Weld Mount Receptacle, Threaded Coupling

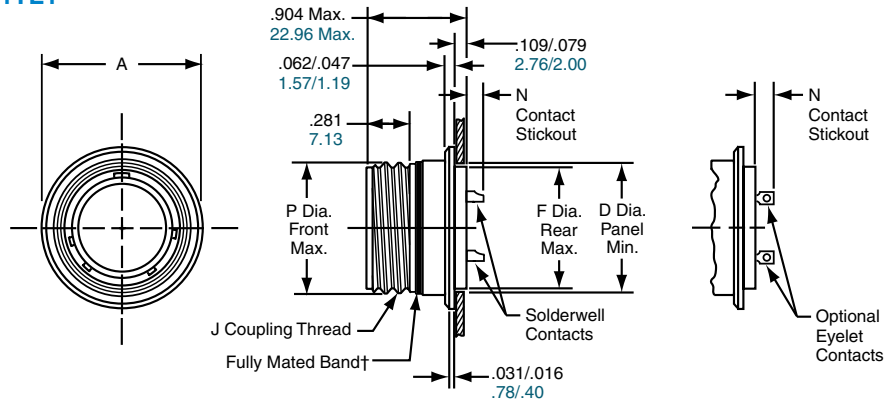
Military (M83723/90), Commercial (BTY, BFY, BNY, EN2997, ESC10, ESC11)

QUICK REFERENCE Page
PART NUMBER BUILDER Page 42-46

MILITARY
M83723/90Y
M83723/90P

Commercial

BTY/BFY/BNY-14
EN2997Y1 / YE1
ESC10YE1
ESC11YE1



† When fully mated with plug this band will be covered.
 (Band is red on military types; can be red or blue on commercial types).

Inches

Shell Size	A Dia. ±.010	D Dia. Panel Min.	F Dia. Rear Max.	J Coupling Thread Class 2A	N Contact Stickout		P Dia. Front Max.
					Size 20 Contacts	Size 12 & 16 Contacts	
8	.713	.510	.500	.5625-24 UNF	.194 / .134	.224 / .164	.562
10	.840	.572	.562	.6875-24 UNEF	.194 / .134	.224 / .164	.696
12	1.045	.760	.750	.8750-20 UNEF	.194 / .134	.224 / .164	.875
14	1.090	.822	.812	.9375-20 UNEF	.194 / .134	.224 / .164	.936
16	1.210	.947	.937	1.0625-18 UNEF	.194 / .134	.224 / .164	1.062
18	1.340	1.072	1.062	1.1875-18 UNEF	.194 / .134	.224 / .164	1.187
22	1.562	1.322	1.312	1.4375-18 UNEF	.194 / .134	.224 / .164	1.437

Millimeters

Shell Size	A Dia. ±.25	D Dia. Panel Min.	F Dia. Rear Max.	P Dia. Front Max.
8	18.11	12.95	12.70	14.27
10	21.34	14.53	14.27	17.68
12	26.54	19.30	19.05	22.23
14	27.69	20.88	20.62	23.77
16	30.73	24.05	23.80	26.97
18	34.04	27.23	26.97	30.15
22	39.67	33.58	33.32	36.50

Hermetic style receptacles are not included in Boeing designations.
 Commercial hermetics meet some European and GE specifications.
 Hermetic styles are threaded coupling only.
 Shell sizes 20, 24 and 28, consult Amphenol for availability.
 All dimensions for reference only.

83723 III

Pyle

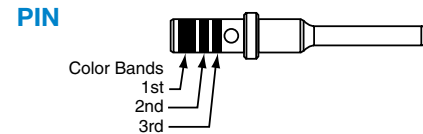
K

MIL-DTL-83723, Series III, Pyle®

Contact Information, Sealing Plugs, Tools

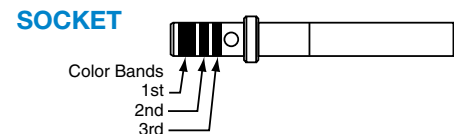
STANDARD CRIMP CONTACTS - PIN PART NUMBERS / COLOR BANDS

Contact Size	Pin MS Spec Number	Pin Pyle Part Number	Pin Color Bands		
			1st Band	2nd Band	3rd Band
20	M39029/4-110	BA-4020-36LD	Brown	Brown	Black
16	M39029/4-111	BA-4016-36LD	Brown	Brown	Brown
12	M39029/4-113	BA-4012-36LD	Brown	Brown	Orange



STANDARD CRIMP CONTACTS - SOCKET PART NUMBERS / COLOR BANDS

Contact Size	Socket MS Spec Number	Socket Pyle Part Number	Socket Color Bands		
			1st Band	2nd Band	3rd Band
20	M39029/5-115	BA-4120-36LD	Brown	Brown	Green
16	M39029/5-116	BA-4116-36LD	Brown	Brown	Blue
12	M39029/5-118	BA-4112-36LD	Brown	Brown	Gray



Sockets feature 4 tine construction with supporting spring bands.

STANDARD CRIMP CONTACT RATING

Contact Size	Test Current Standard	Crimp Well Data			
		Well Diameter		Min. Well Depth	
		Inches	Millimeters	Inches	Millimeters
20	7.5	.049	1.25	.157	3.99
16	13.0	.067	1.70	.250	6.35
12	23.0	.100	2.54	.250	6.35

STANDARD SEALING PLUGS

Contact Size	Sealing Plug MS Number	Sealing Plug Pyle Number	Color
20	MS27488-20	BA-4020-59P	Red
16	MS27488-16	BA-4016-59P	Blue
12	MS27488-12	BA-4012-59P	Yellow

TOOLS

Contact Size	Crimp Tool		Adjustable Turret		Checking Gauge for M22520/1-01 Crimping Tool		Insertion/Removal Tool		
	MS Number	Pyle Number	MS Number	Pyle Number	MS Number	Pyle Number	MS Number	Pyle Number	Amphenol Number*
20							M81969/14-11	TP-201343-20-BA	10-538988-201
16	M22520/1-01	TP-201354	M22520/1-02	TP-201355	M22520/3	TP-201356	M81969/14-03	TP-201343-16-BA	10-538988-016
12							M81969/14-04	TP-201343-12-BA	10-538988-012

* Amphenol part number for insertion/removal tool supersedes Pyle number

BACKSHELLS

The section of this catalog called "Backshells" covers the backshells for MIL-DTL-83723, Series III Pyle connectors that are provided through Amphenol PCD. Please refer to this section for:

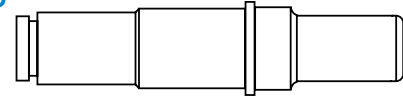
- Backshells for Connector Family "J", which includes MIL-DTL-26482 (Series II), MIL-DTL-5015 (MS3400), MIL-DTL-83723 (Series I & III).

Shielded Contacts, Thermocouple Contacts, Wire Sealing Information

SHIELDED CONCENTRIC TWINAX CONTACTS

Contact Size	Cable Accommodation	Concentric Twinax Pin
#8 Twinax	M17/176-00002	BA-46T08-LD
#8 Twinax	PAN 6421 or JN1060ZB002	BA-46TA08-LD

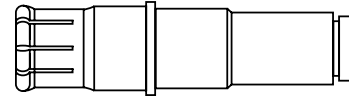
CONCENTRIC TWINAX PIN



Non-MS part; no color bands.

Contact Size	Cable Accommodation	Concentric Twinax Socket
#8 Twinax	M17/176-00002	BA-47T08-LD
#8 Twinax	PAN 6421 or JN1060ZB002	BA-47TA08-LD

CONCENTRIC TWINAX SOCKET



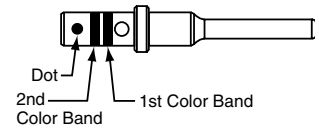
Non-MS part; no color bands.

Concentric Twinax contacts are designed for protection from magnetic and electrostatic interference including nuclear electromagnetic pulse. Consult Amphenol for other size twinax and coax contacts available for use in MIL-DTL-83723, Series III Pyle connectors.

THERMOCOUPLE - PIN PART NUMBERS / COLOR BANDS

Contact Size	Material	Thermocouple Pin Pyle Part Number	Thermocouple Pin Color Bands			
			Color ID Dot	Trademark or Metal Stamping		1st Band
				Trademark	Metal Stamping	
20	Chromel	BT-4020-10P	White	Red	P	Red
20	Alumel	BT-4020-10R	Green	Red	R	Red
16	Chromel	BT-4016-10P	White	Blue	P	Blue
16	Alumel	BT-4016-10R	Green	Blue	R	Blue

THERMOCOUPLE PIN

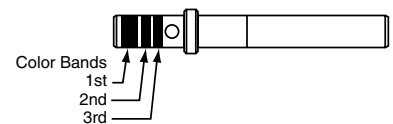


2nd color band consist of Trademark color and metal stamping of part number.

THERMOCOUPLE - SOCKET PART NUMBERS / COLOR BANDS

Contact Size	Material	Thermocouple Socket Pyle Part Number	Reference Thermocouple Socket MS Part Number	Thermocouple Socket Color Bands		
				1st Band	2nd Band	3rd Band
20	Chromel	BT-4120-10P	-	Brown	Yellow	Brown
20	Alumel	BT-4120-10R	-	Brown	Yellow	Black
16	Chromel	BT-4116-10P	Ref M39029/10-522	Green	Red	Red
16	Alumel	BT-4116-10R	Ref M39029/10-521	Green	Red	Brown

THERMOCOUPLE SOCKET



STANDARD & HIGH TEMPERATURE CRIMP CONTACTS WIRE SEALING DIAMETERS / STRIPPING LENGTHS

Contact Size	Wire Size (AWG)	Finished Wire Outside				Stripping Lengths			
		Minimum		Maximum		Minimum		Maximum	
		Inches	Millimeters	Inches	Millimeters	Inches	Millimeters	Inches	Millimeters
20	24, 22, 20	.033	.84	.083	2.11	.140	3.56	.202	5.13
16	20, 18, 16	.047	1.19	.106	2.69	.218	5.54	.280	7.11
12	14, 12	.075	1.91	.157	3.99	.218	5.54	.280	7.11

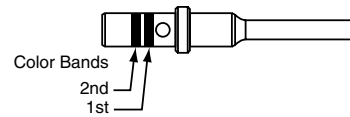
MIL-DTL-83723, Series III, Pyle®

Contact Information - European Specs

CONTACTS THAT MEET EUROPEAN SPECIFICATIONS STANDARD CRIMP - PIN PART NUMBERS / COLOR BANDS

Contact Size	Pin Pyle Part Number	Pin Color Bands		
		1st Band	2nd Band	Dot
20	BA-4020-36LD-Y165	Red	Red	-
20/18*	BA-402018-36LD-Y165	Red	Violet	-
16	BA-4016-36LD-Y165	Blue	Blue	-
12	BA-4012-36LD-Y165	Yellow	Yellow	-

STANDARD PIN EUROPEAN SPEC

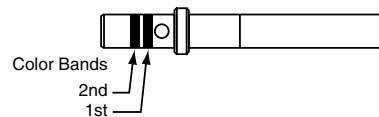


First band color is for contact size
2nd band color is for AWG wire size

CONTACTS THAT MEET EUROPEAN SPECIFICATIONS STANDARD CRIMP - SOCKET PART NUMBERS / COLOR BANDS

Contact Size	Socket Pyle Part Number	Socket Color Bands		
		1st Band	2nd Band	Dot
20	BA-4120-36LD-Y165	Red	Red	-
20/18*	BA-412018-36LD-Y165	Red	Violet	-
16	BA-4116-36LD-Y165	Blue	Blue	-
12	BA-4112-36LD-Y165	Yellow	Yellow	-

STANDARD SOCKET EUROPEAN SPEC

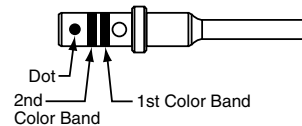


First band color is for contact size
2nd band color is for AWG wire size

CONTACTS THAT MEET EUROPEAN SPECIFICATIONS HIGH TEMPERATURE - PIN PART NUMBERS / COLOR BANDS

Contact Size	Pin Pyle Part Number	Pin ESC30 Part Number	Pin Color Bands		
			1st Band	2nd Band	Dot
20	BA-4020-50LD	ESC30-P20BC	Red	Red	White
20/18*	BA-402018-50LD	-	Red	Violet	White
16	BA-4016-50LD	ESC30-P16BC	Blue	Blue	White
12	BA-4012-50LD	ESC30-P12BC	Yellow	Yellow	White

HIGH TEMPERATURE PIN EUROPEAN SPEC

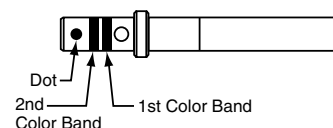


First band color is for contact size
2nd band color is for AWG wire size
Dot identifies High Temperature or Thermocouple contacts

CONTACTS THAT MEET EUROPEAN SPECIFICATIONS HIGH TEMPERATURE - SOCKET PART NUMBERS / COLOR BANDS

Contact Size	Socket Pyle Part Number	Socket ESC30 Part Number	Socket Color Bands		
			1st Band	2nd Band	Dot
20	BA-4120-50LD	ESC30-S20BC	Red	Red	White
20/18*	BA-412018-50LD	-	Red	Violet	White
16	BA-4116-50LD	ESC30-S16BC	Blue	Blue	White
12	BA-4112-50LD	ESC30-S12BC	Yellow	Yellow	White

HIGH TEMPERATURE SOCKET EUROPEAN SPEC



First band color is for contact size
2nd band color is for AWG wire size
Dot identifies High Temperature or Thermocouple contacts

* #20 contacts with #18 crimpwell

83723 III

Pyle

K

MIL-DTL-83723, Series III, Pyle®

Contact Information - European Specs, cont.

CONTACTS THAT MEET EUROPEAN SPECIFICATIONS THERMOCOUPLE - PIN PART NUMBERS / COLOR BANDS

Contact Size	Material	Pin Pyle Part Number	Pin ESC30 Part Number	Pin Color Bands		
				1st Band	2nd Band	Dot
20	Chromel	BT-4020-10P-Y165	ESC30-P20NC	Red	Red	Yellow
20	Alumel	BT-4020-10R-Y165	ESC30-P20NA	Red	Red	Black
20/18*	Chromel	BT-402018-10P-Y165	–	Red	Violet	Yellow
20/18*	Alumel	BT-402018-10R-Y165	–	Red	Violet	Black
16	Chromel	BT-4016-10P-Y165	ESC30-P16NC	Blue	Blue	Yellow
16	Alumel	BT-4016-10R-Y165	ESC30-P16NA	Blue	Blue	Black

CONTACTS THAT MEET EUROPEAN SPECIFICATIONS THERMOCOUPLE - SOCKET PART NUMBERS / COLOR BANDS

Contact Size	Material	Socket Pyle Part Number	Socket ESC30 Part Number	Socket Color Bands		
				1st Band	2nd Band	Dot
20	Chromel	BT-4120-10P-Y165	ESC30-S20NC	Red	Red	Yellow
20	Alumel	BT-4120-10R-Y165	ESC30-S20NA	Red	Red	Black
20/18*	Chromel	BT-412018-10P-Y165	–	Red	Violet	Yellow
20/18*	Alumel	BT-412018-10R-Y165	–	Red	Violet	Black
16	Chromel	BT-4116-10P-Y165	ESC30-S16NC	Blue	Blue	Yellow
16	Alumel	BT-4116-10R-Y165	ESC30-S16NA	Blue	Blue	Black

HIGH TEMPERATURE SEALING PLUGS

Contact Size	Sealing Plug Pyle Number	Color
20	BT-4020-60P	Red
16	BT-4016-60P	Blue
12	BT-4012-60P	Yellow