

ASGP Power Connector



ASGP



KEY FEATURES

ASGP is a ground power connector specially designed for rail vehicles receiving maintenance in the garage repair station when high voltage circuit power is cut off.

Sealing, IP67 (mated)

4pcs of 18mm Radsok for power and 6pcs of 3.6mm spring wire sockets for signal.

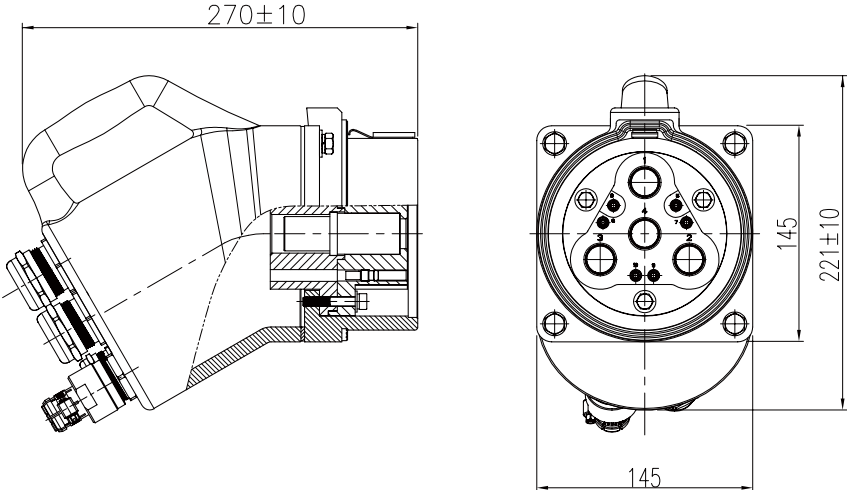
ASGP offers a wide range of current up to 500A and its rated voltage is 500V.

MECHANICAL	
Mating cycles	≥ 1500 times
Vibration & shock	Category 1, class B (IEC61373.1999)
Contact type	Crimp
Contacts retention	18mm Power contact: > 200 N #8 signal contact: > 110 N
Insertion & Extraction	18mm Power contact: 40 to 70 N (Amphenol Radsok) #8 signal contact: 5 to 8 N (MIL-39029)
ELECTRICAL	
Rated current	Power contact: 500A max Cable size: 35 to 185 mm ² Signal contact: 46A max Cable size: 1.5 to 10 mm ²
Rated voltage	500V AC
Insulation resistance	≥ 5000 MΩ (DC 500V)
Contact resistance	18mm power contact: ≤ 0.3mΩ #8 signal contact: ≤ 1.3mΩ
Withstanding voltage	3000V AC (rms)
Temperature rise	≤ 60°C
ENVIRONMENTAL	
Temperature range	-40°C to 125°C
Humidity	90% to 95% (40±2°C)
Sealing	IP67
Inflammability	UL94-V0
Salt spray	96h
MATERIAL	
Shell	Aluminium alloy with powder painting
Insulator	Thermoplastic
Sealing gasket	Silicone
Contact	Copper alloy, Silver plating

PLUG

P/N: ASGP-M-SC-XXX

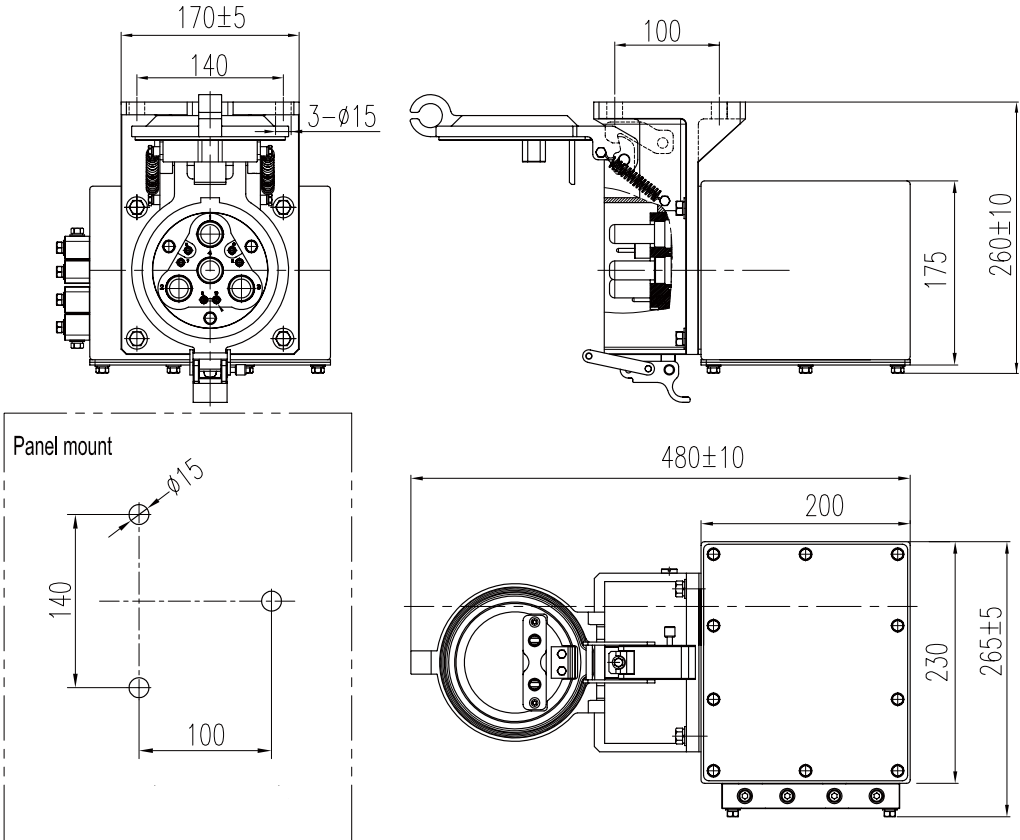
Contact size: 150 means 150mm²



RECEPTACLE: SIDE ENTRY

P/N: ASGP-F2-PM-XXX

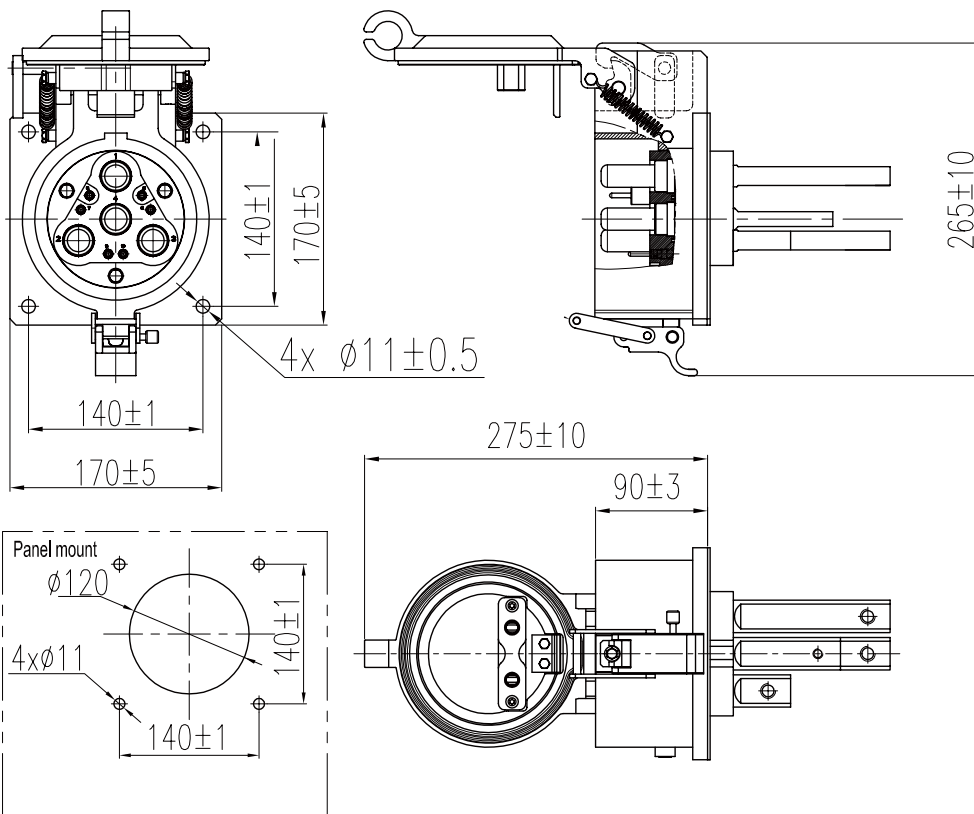
Contact size: 150 means 150mm²



RECEPTACLE: BOX MOUNTED

P/N: ASGP-F1-PM-XXX

Contact size: 150 means 150mm²



Amphenol PCD Shenzhen

Building 21
1st Liao Keng Industrial Zone
Shi Yan Street, Bao An District Shenzhen 518108
China

Tel.: +86 755-8173-8000
Fax: +86 755-8173-8180
Email: inquiry@amphenolpcd.com.cn

www.amphenolpcd.com.cn

Notes:

Amphenol PCD Shenzhen has made every effort to ensure that the information contained in this catalog is accurate at the time of publication. Specifications or information stated in this publication are subject to change without notice.

Amphenol PCD Shenzhen reserves the right to clarify this catalog.