

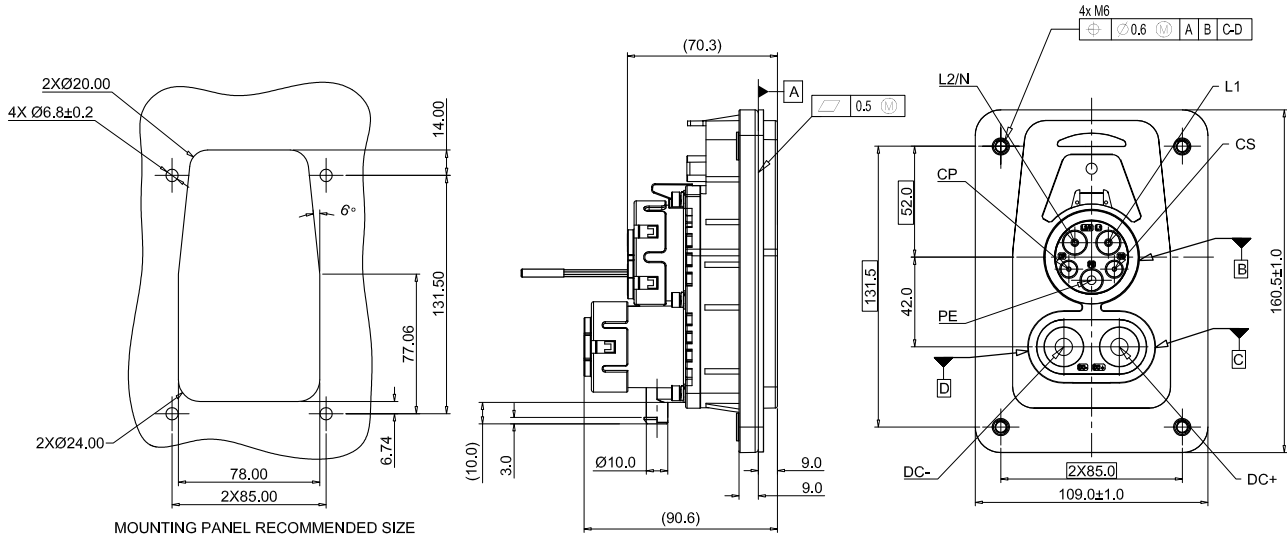


**KEY FEATURES:**

Compliant with:  
 IEC 62196-1  
 IEC 62196-2  
 IEC 62196-3  
 UL2251  
 SAE J1772

MECHANICAL	
Mating cycles	> 10,000 cycles (unloaded)
Insertion / withdrawal force	< 100N
ELECTRICAL	
Rated current	300A Max
Rated voltage	1000V DC
Temperature sensor	PT1000 The two power contacts DC+ and DC- are monitored by temperature-dependent resistor sensors
ENVIRONMENTAL	
Protection degree	IP44( plugged in), IP55 (road position), IP67 (inner area of inlet)
Ambient temperature	-30°C to 50°C
MATERIAL	
Shell	Thermoplastic
Contact	Copper alloy
Inserts	Thermoplastic
Sealing gasket	Rubber or silicon rubber
Insulator inflammability	UL94V0

## CCS1 VEHICLE INLET VERSION A | AC+DC DIMENSIONS



Rated voltage and current	Functions
240V   48A	L1
240V   48A	L2/N
-	PE (Protective Ground/Earth)
1000V   300A, 200A, 150A, 125A, 65A	DC+
1000V   300A, 200A, 150A, 125A, 65A	DC-
30V   2A	CP (Control pilot)
30V   2A	PP (Proximity)

## CCS1 Vehicle inlet AC + DC

### Socket-inlet



Part Number		
AC	DC	Part Number
240V / 48A	1000V / 200A	HVCOSF003
240V / 48A	1000V / 125A	HVCOSF005
240V / 48A	1000V / 65A	HVCOSF007
240V / 48A	1000V / 300A	HVCOSF009
240V / 48A	1000V / 150A	HVCOSF013

Compliant with IEC 62196-1/2/3, UL2251 and SAE J1772

Configuration:

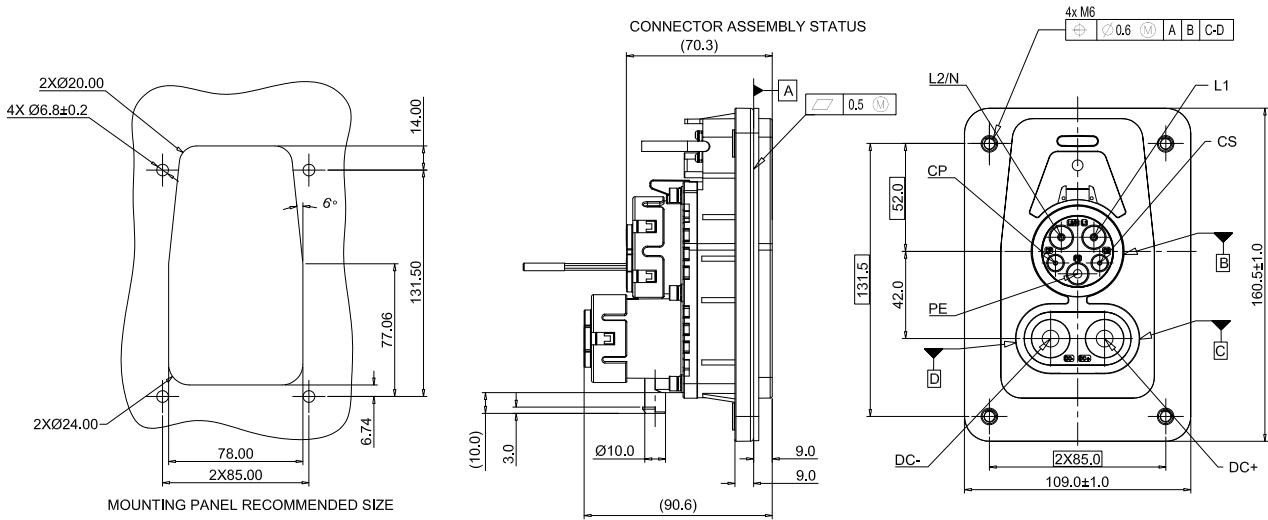
240V | 48A | 1-phase

1000V | 65A, 125A, 150A, 200A or 300A | 3-phase

Electronic lock available

12 o'clock

# CCS1 VEHICLE INLET VERSION A | AC+DC WITH LED DIMENSIONS



Rated voltage and current	Functions
240V   48A	L1
240V   48A	L2/N
-	PE (Protective Ground/Earth)
1000V   300A, 200A, 150A, 125A, 65A	DC+
1000V   300A, 200A, 150A, 125A, 65A	DC-
30V   2A	CP (Control pilot)
30V   2A	PP (Proximity)

## CCS1 Vehicle inlet AC + DC

### Socket-inlet



Part Number		
AC	DC	Part Number
240V / 48A	1000V / 200A	HVCOSF003D
240V / 48A	1000V / 125A	HVCOSF005D
240V / 48A	1000V / 65A	HVCOSF007D
240V / 48A	1000V / 300A	HVCOSF009D
240V / 48A	1000V / 150A	HVCOSF013D

Compliant with IEC 62196-1/2/3, UL2251 and SAE J1772

Configuration:

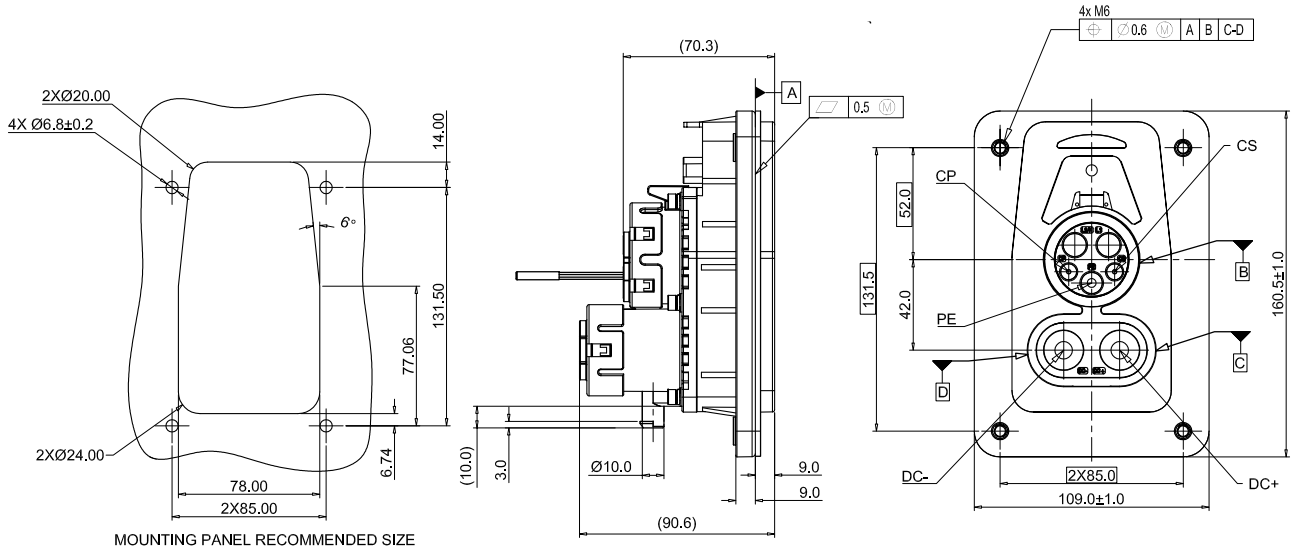
240V | 48A | 1-phase

1000V | 65A, 125A, 150A, 200A or 300A | 3-phase

Electronic lock available

12 o'clock

## CCS1 VEHICLE INLET VERSION A | DC DIMENSIONS



Rated voltage and current	Functions
-	PE (Protective Ground/Earth)
1000V   300A, 200A, 150A, 125A, 65A	DC+
1000V   300A, 200A, 150A, 125A, 65A	DC-
30V   2A	CP (Control pilot)
30V   2A	PP (Proximity)

### CCS1 Vehicle inlet DC

#### Socket-inlet



Part Number	
DC	Part Number
1000V / 200A	HVCOSF004
1000V / 125A	HVCOSF006
1000V / 65A	HVCOSF008
1000V / 300A	HVCOSF010
1000V / 150A	HVCOSF014

Compliant with IEC 62196-1/2/3, UL2251 and SAE J1772

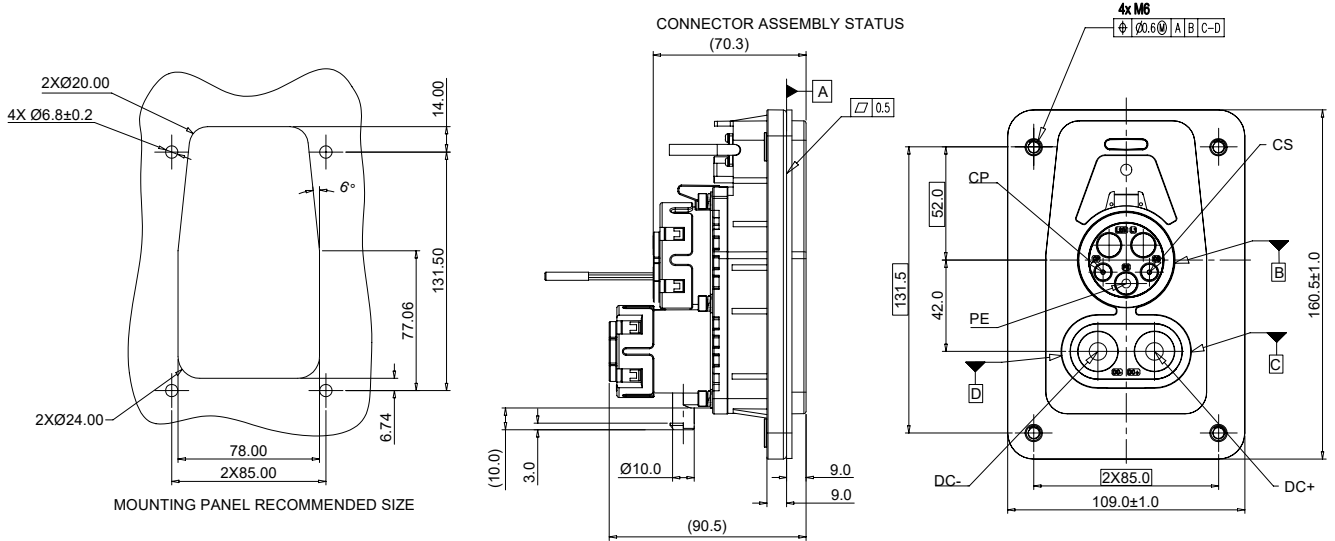
Configuration:

1000V | 65A, 125A, 150A, 200A or 300A | 3-phase

Electronic lock available

12 o'clock

# CCS1 VEHICLE INLET VERSION A | DC WITH LED DIMENSIONS



Rated voltage and current	Functions
-	PE (Protective Ground/Earth)
1000V   300A, 200A, 150A, 125A, 65A	DC+
1000V   300A, 200A, 150A, 125A, 65A	DC-
30V   2A	CP (Control pilot)
30V   2A	PP (Proximity)

## CCS1 Vehicle inlet DC

### Socket-inlet



Part Number	
DC	Part Number
1000V / 200A	HVCOSF004D
1000V / 125A	HVCOSF006D
1000V / 65A	HVCOSF008D
1000V / 300A	HVCOSF010D
1000V / 150A	HVCOSF014D

Compliant with IEC 62196-1/2/3, UL2251 and SAE J1772

Configuration:

1000V | 65A, 125A, 150A, 200A or 300A | 3-phase

Electronic lock available

12 o'clock

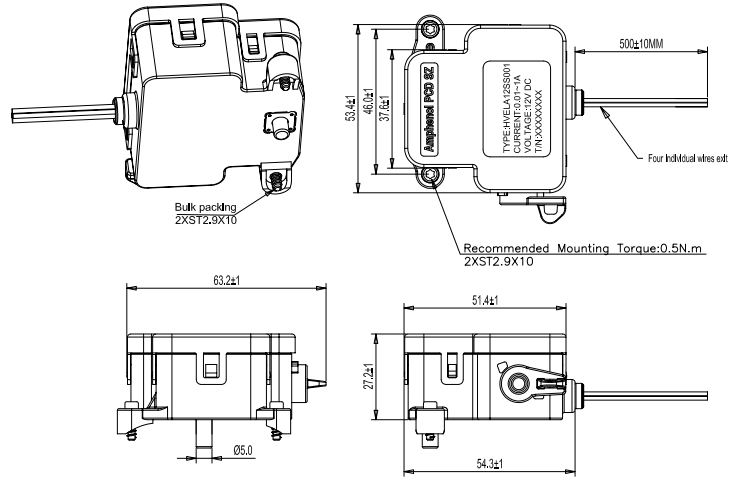
## LOCKING ACTUATOR

### Electronic lock | AMPHENOL PCD SHENZHEN (12V)

4-wire solution is available for 12V



P/N (12V): HVELA12SS001



TYPE	RED	BLACK	WHITE	BLUE
UNLOCKING	+	-	SIGNAL( $R_U=1K\Omega$ )	
LOCKING	-	+	SIGNAL( $R_L=11K\Omega$ )	