

H-PAC CONNECTOR

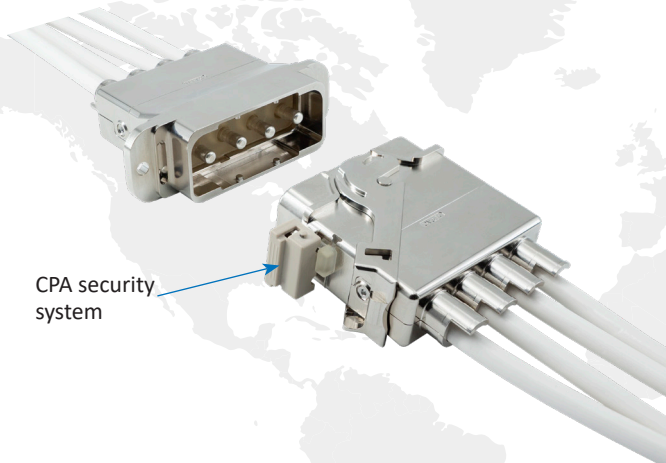
High Power connector



Aeronautic
Defence

H-PAC is a brand new connector for Power applications. This product features an innovative and easy-to-use locking system offering a perfect connection security : a lever mating mechanism and a CPA (Connector Position Assurance).

This quick-mate and quick-install connector aims to facilitate operator's work for both installation and maintenance and is perfectly suited for high demanding power applications on various platforms such as eVTOLS, UAVs,...

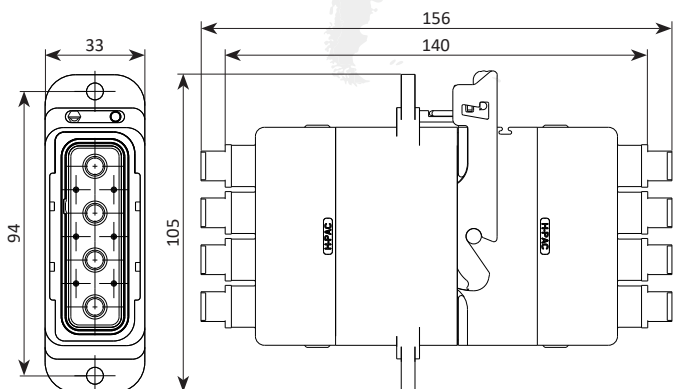


CPA security system

Key features

- According to MIL-DTL-38999 specifications
- 360° Shielding
- Temperature: -65°C to +200°C
- Overmolding technology for HVDC application
- HVIL technology (High Voltage Interlock Loop)
- Quick connection / Lever lock assistance
- CPA function (Connector Position Assurance)
- High mechanical conception: metallic shape
- Quick install accessories

Density



- Plug + accessory weight (without contacts): 155 g
- Receptacle + accessory weight (without contacts): 170 g

Test voltage for mated connector (V AC peak)

Altitude	Breakdown voltage (BV) differential (contact/contact)	DWV recommended (3/4 BV) differential (contact/contact)	Operating voltage (OV=1/3 DWV) recommended	PDIV (5pF) differential (contact/contact)
Sea level	>7000	/	/	/
30 000 ft	3579	2600	850	3310
45 000 ft	2631	1900	650	2290
69 000 ft	1727	1200	400	1440

Your partner for high performance connectors and attachment systems



Amphenol Air LB
Your Satisfaction. Everyday. Everywhere.



H-PAC CONNECTOR

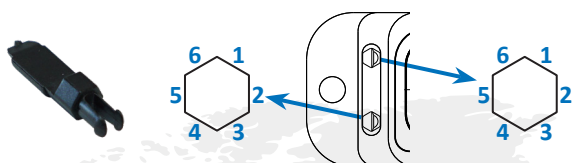
High Power connector



Aeronautic
Defence

Polarizers

Each plug / socket can contain 2 polarizers.
Each polarizer can be put in 6 different positions which offers a total of 36 mechanical keying combinations.



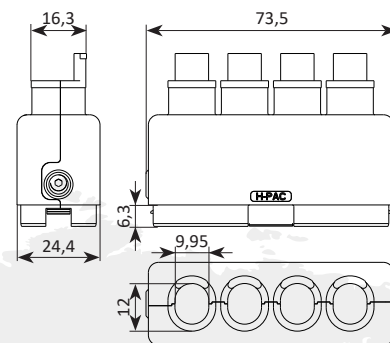
Accessoires



The accessories are composed of two half parts and two captive screws.

Use an hexagonal key .078 inch across flats to fix them.

2 versions are available:
4 or 3 chimneys.



Contacts arrangements

Insert arrangement	04-04		03-00	
	#4	#22	#0	#22
Pin	AS39029/29-215 (80A) HV AALB (125A)	AS39029/58-360 EN3155-008M2222	AS39029/29-216 (150A) HV AALB (240A)	AS39029/58-360 EN3155-008M2222
Socket	AS39029/30-221 (80A) HV AALB (125A)	AS39029/56-348	AS39029/30-222 (150A) HV AALB (240A)	AS39029/56-348
Number of contacts	4	6	3	4

Aluminum cable compatible.

Part numbering system

MATERIAL
Metallic

SHELL TYPE
Plug
Standard receptacle

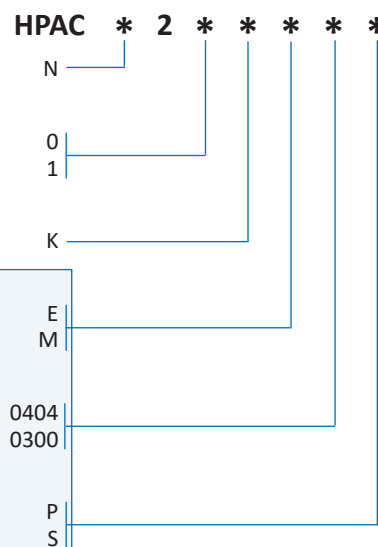
PLATING
Bright nickel (RoHS)

PERIPHERAL SEALING OF THE MODULE
Sealed
Not sealed

MODULE LAYOUT
4 contacts size 4⁽¹⁾
3 contacts size 0⁽¹⁾

MODULE TYPE
Pin
Socket

Equipment code to be specified to get a shell equipped with a module



⁽¹⁾ Contacts must be ordered separately.

This document is non-contractual. The information included in this catalogue is subject to change.

Amphenol Air LB France reserves the right to proceed with modifications without prior notice. For any additional information, contact us.