

### HVC 8mm AK 1 poles connector (90°)

High voltage, high current, 25mm<sup>2</sup>~50mm<sup>2</sup> wire, metal shielded, HVIL

#### Part-No.:

##### → Plug:

HVC1P80FVX25 (25 mm<sup>2</sup> Ø11.6~12.2)  
 HVC1P80FVX35 (35 mm<sup>2</sup> Ø13.8~14.4)  
 HVC1P80FVX50 (50 mm<sup>2</sup> Ø15.2~15.8)

##### → Socket:

##### → HVC2P80MVX XX

Busbar type  
 Code:  
 1:Code A ;2:Code B;3:Code C  
 4:Code D ;5:Code E;6:Code F

#### Mating design:

- Serviceable locking leg
- Locking assurance by CPA
- Operation with handle

#### Terminal system:

- 1x Ø 8 mm Radsok, silver plated
- Wire size 25/35/50mm<sup>2</sup>, shielding
- HVIL contact system

#### Terminal technology:

- Crimping for power termination
- Screw fasten for power terminal
- Crimping for HVIL termination

#### General:

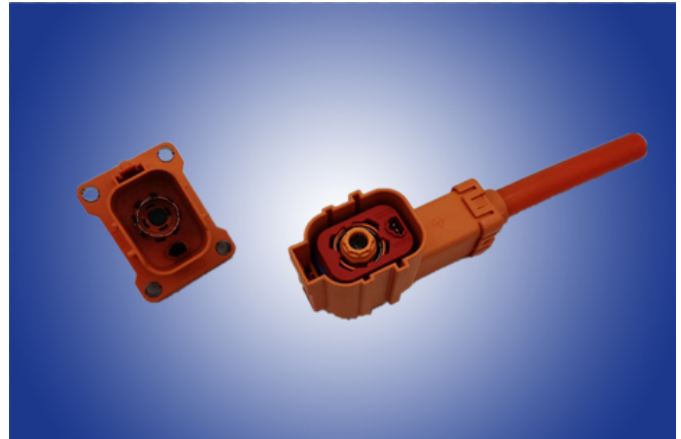
- IP67, IP6K9K (mated)
- IPXXB (unmated)
- HVIL
- 360° shielding
- Coding: 1/2/3/4

#### Performance characteristics:

- Unmating force: ≤ 100N
- Temperature range: -40°C to +140°C
- Max. rated voltage: 1000V DC
- Mating cycles: 50 min.
- Max. current : (85°C)  
 25mm<sup>2</sup>=150A  
 35mm<sup>2</sup>=180A  
 50mm<sup>2</sup>=220A

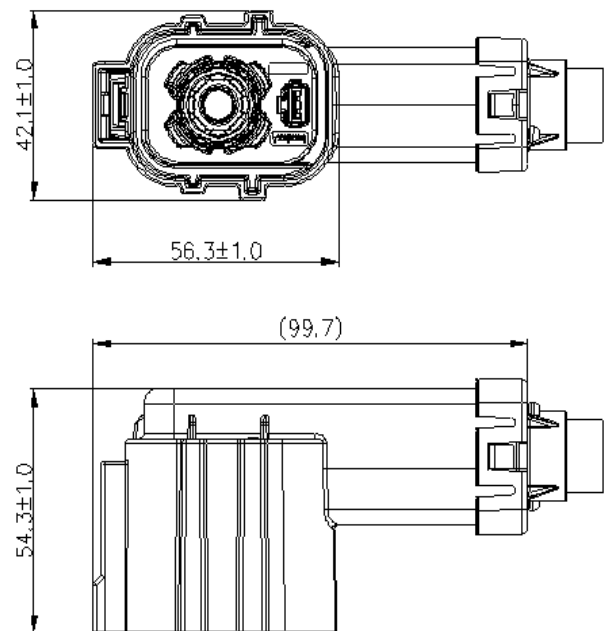
#### Construction:

- Housing material: PA66-GF V0, orange
- Terminal material : Copper alloy
- RF/EMI protection: metal shielding



#### Dimensional characteristics:

##### Plug:



##### Socket:

