

HVC 12mm 2 poles connector (180°)

High voltage, high current, 35mm²~70mm² wire, metal shielded, HVIL

Part-No.:

- Plug:
 - HVC2P12FSX35 (35mm²: 13.8~14.4)
 - HVC2P12FSX50 (50mm²: 15.2~15.8)
 - HVC2P12FSX70 (70mm²: 17.4~18.2)
 - Socket:
 - HVC2P12MVX03 (type 4, M6 Screw Nut)
- "X" indicates code 1/2/3/4

Mating design:

- Serviceable locking leg
- Locking assurance by CPA
- Operation with handle

Terminal system:

- 2x Ø 12 mm Radsok, silver plated
- Wire size 35/50/70mm², shielding
- HVIL contact system

Terminal technology:

- Crimping for power termination
- Crimping for HVIL termination

General:

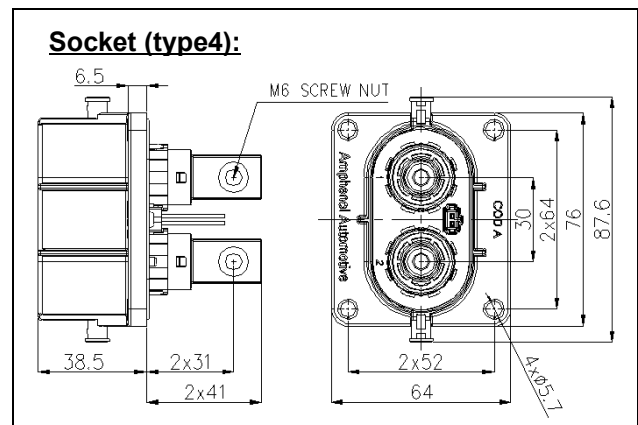
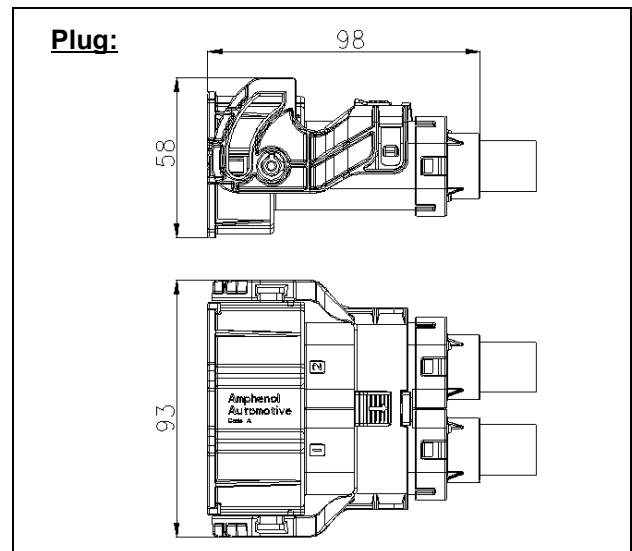
- IP67, IP6K9K (mated)
- IPXXB (unmated)
- HVIL
- 360° shielding
- Coding: 1/2/3/4

Standard:

- LV215



Dimensional characteristics:



Performance characteristics:

- Unmating force : ≤ 100N
- Temperature range : -40°C to +140°C
- Voltage : 1000V DC
- Mating cycles : ≥50.
- Current capacity : (@85°C)
 - 35mm²=180A
 - 50mm²=250A
 - 70mm²=300A

Construction:

- Housing material : PA66-GF V0, orange
- Terminal material : Copper alloy
- RFI/EMI protection : metal shielding