

HVC 6.3mm 3 Poles Connector

High voltage, high current, 2.5mm² - 6mm² wire, metal shielded, HVIL

Part-No:

→ Plug:

HVC3PG63FSX02 (2.5mm²)

Cable Diameter: 4.55±0.15mm

HVC3PG63FSX04(4mm²)

Cable Diameter: 5.6±0.2mm

HVC3PG63FSX06(6mm²)

Cable Diameter: 6.3±0.2mm

→ Socket:

HVC3PG63MVX06-S02

"X" indicates 1/2

according to code A/B

Mating design:

→ Secondary Locking by CPA

Terminal System:

→ 0.8X6.3mm, Silver plated

→ Wire size 2.5/4.0/6.0mm², shielding

→ HVIL contact system

Termination technology:

→ Crimping for power terminal

→ Crimping for HVIL terminal

General:

→ IP67, IP6K9K(Mated)

→ IPXXB(unmated)

→ HVIL

→ 360° shielding

→ Coding: A/B

Performance characteristics:

→ Pull out force: ≤100N

→ Temperature range: -40°C to +140°C

→ Voltage range: 1000V / DC

→ Dielectric Voltage withstand: AC 3000V

→ Mating cycles: 50min

→ Power Rated (@85°C):

2.5mm²=20A

4.0mm²=32A

6.0mm²=40A

Amphenol

Amphenol Automotive Connection Systems (Changzhou) Co., Ltd

18 LiJiang Road, Changzhou • Jiangsu • China • Phone +86/0519-85601880 • Fax +86/0519-85118840

<http://www.amphenol-auto.com>

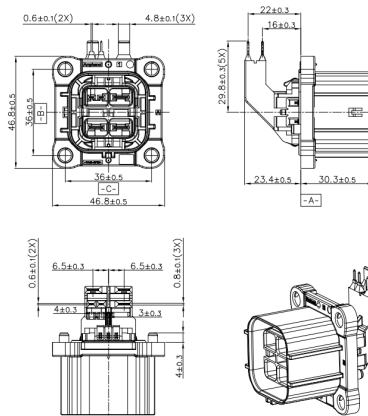


Construction:

- Housing material: PA66-GF25 UL94 V0
- Terminal material: Copper alloy
- RF/EMI protection: Metal shielding

Dimensional characteristics:

Socket Side:



Plug Side:

