

HVMC1P12 1Pole High Voltage Connector (90°)

High Voltage, High current, 35mm²~70mm² Wire, Metal shield, HVIL

Part NO:

- Plug:
 - HVMC1P12FVX35 (35mm²)
 - HVMC1P12FVX50 (50mm²)
 - HVMC1P12FVX70 (70 mm²)
- Socket:
 - HVMC1P12MVX01 (Type1, M8)
 - HVMC1P12MVX02 (Type2, M6)
 - "X" indicates code 1/2/3/4

Mating design:

- Automatic locking by metal buckle
- Locking assurance by CPA

Terminal:

- 1x Ø 12 mm Radsok, silver plated
- Wire size 35/50/70mm², shielding
- With HVIL contact system

Terminal technology:

- Crimping for power termination
- Screw fasten for power terminal
- Crimping for HVIL termination

General:

- IP67, IP6K9K (Mated)
- IPXXB (unmated)
- HVIL
- 360° Shield
- Coding: 1/2/3/4

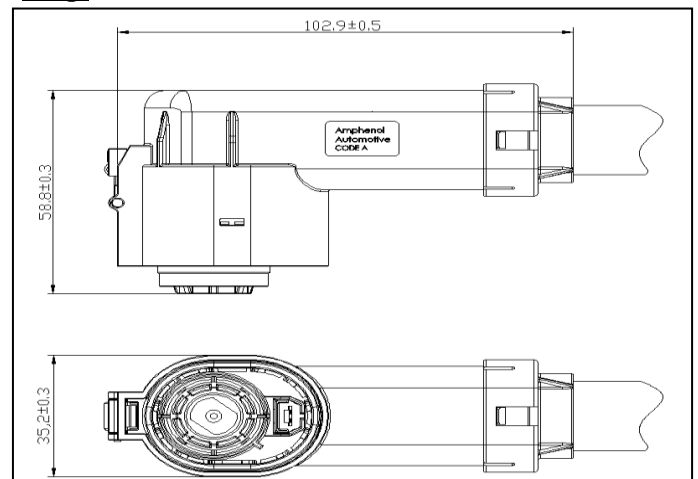
Standard:

- LV215

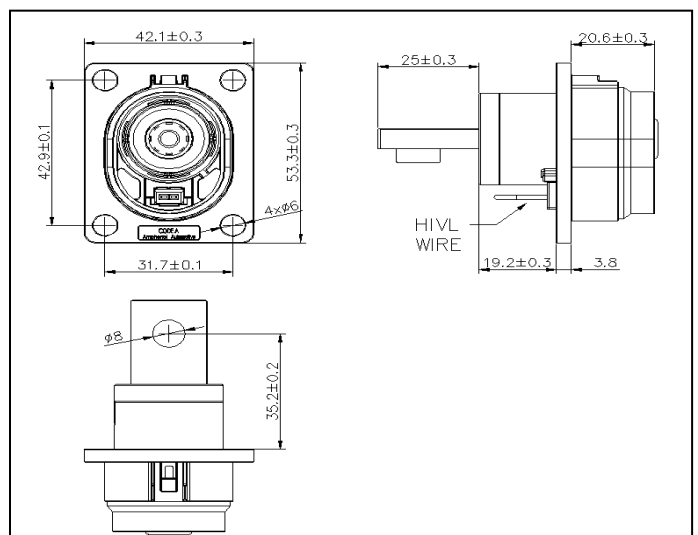


Dimensional characteristics:

Plug:



Socket (Type1):



Performance characteristics:

- Unmating force: ≤ 100N
- Temperature range: -40°C to +125°C
- Max. rated voltage: 1500V DC
- Mating cycles: 50 min.
- Max. current :
 - 35mm²=200A
 - 50mm²=250A
 - 70mm²=300A

Construction:

- Housing material: PA66-GF V0, orange
- Terminal material : Copper alloy
- RFI/EMI protection: metal shielding