

## HVPC PASS-THROUGH



### KEY FEATURES

Easy to install, reliable connection

Sealing, IP68 (mated), IP6K9K

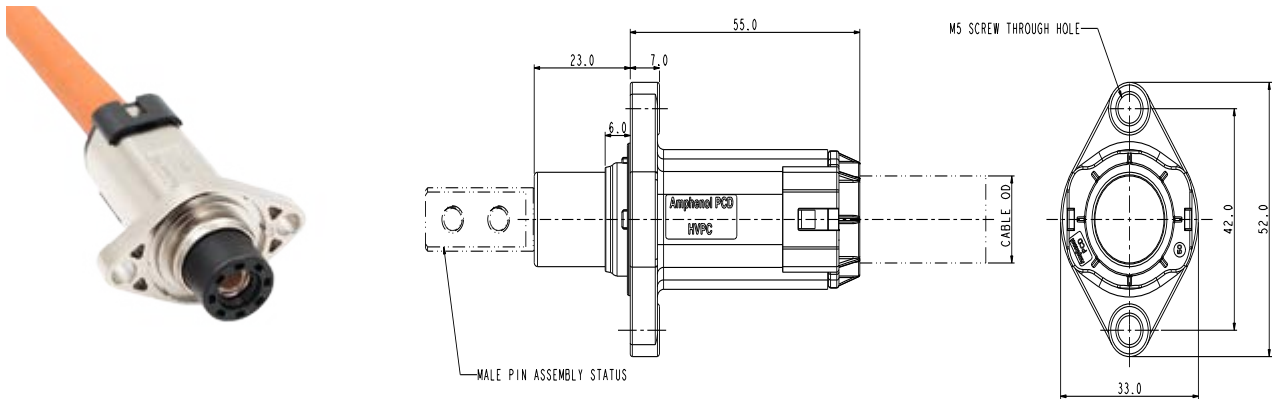
Multiple coding positions

360° shielded from wire to device

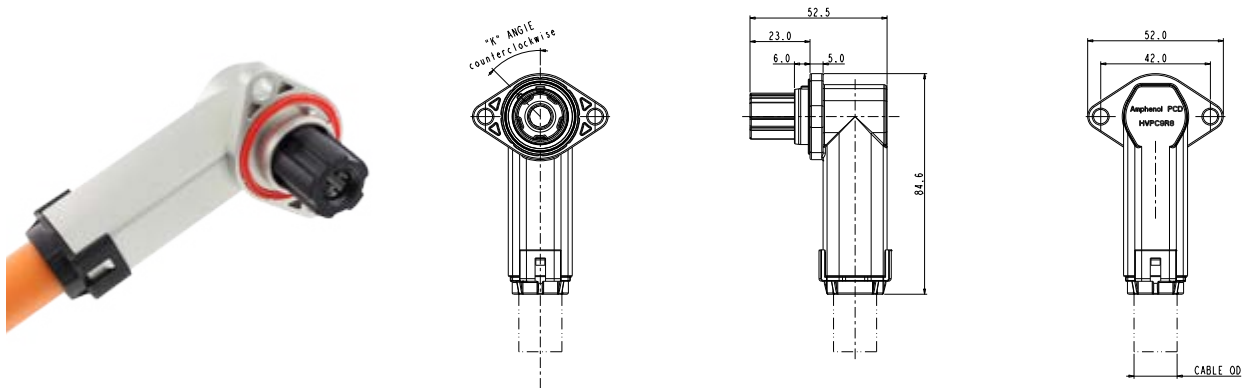
Economical

MECHANICAL	
Durability	≥ 50 mating cycles
Wire range	35 to 50 mm <sup>2</sup> shielded wire
Insertion and extraction force	< 100N
Connection type	Crimp
ELECTRICAL	
Rated voltage	1000V DC
Rated current	Max 180A @ ambient temperature 70°C
Insulator resistance	> 100MΩ
Dielectric withstand voltage	3000V AC
Shielding	360° from wire to device
ENVIRONMENTAL	
Sealing	IP68, IP6K9K (mated)
Temperature range	-40°C to 125°C
Salt spray	96 hours
Touch-proof	IP2XB
STANDARDS	
USCAR-2	
USCAR-37	
LV-215	
RoHS	
MATERIAL	
Housing	Metal

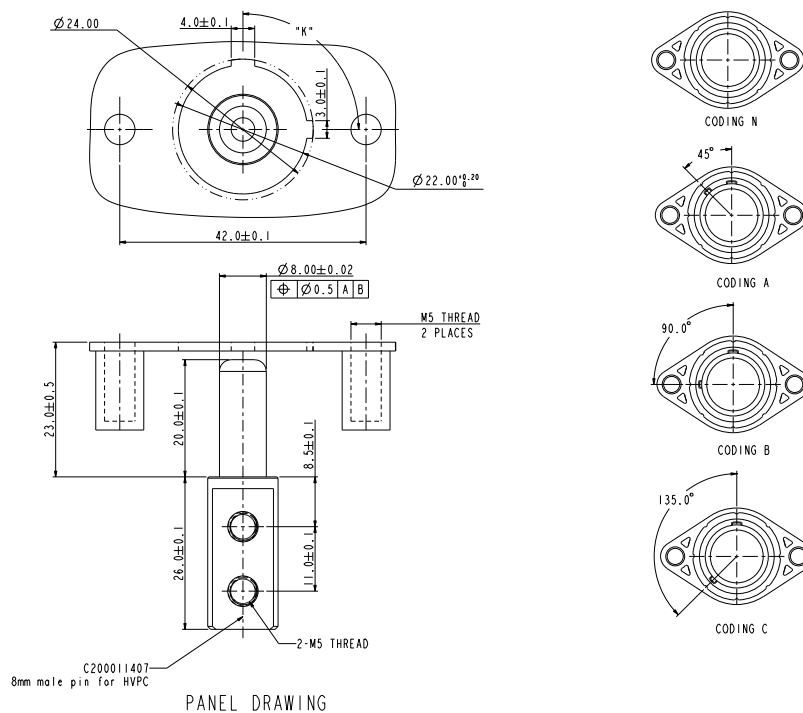
## HVPC 1 POSITION PASS-THROUGH



## HVPC 1 POSITION RIGHT-ANGLE



## PANEL MOUNTING DIMENSIONS



PANEL DRAWING

## HOW TO ORDER

	HVPC	7	R8	1	A	35
<b>Product type:</b>						
<b>7:</b> Straight						
<b>9:</b> Right angle						
<b>Insert size:</b>						
<b>R8:</b> 8mm pin contact						
<b>Position:</b>						
<b>1:</b> 1 position						
<b>Coding:</b>						
<b>A:</b> Coding A						
<b>B:</b> Coding B						
<b>C:</b> Coding C						
<b>D:</b> Coding D (Right-Angle only)						
<b>E:</b> Coding E (Right-Angle only)						
<b>N:</b> Coding N (Straight only)						
<b>Wire type:</b>						
<b>35:</b> 35mm <sup>2</sup> shielded wire						
<b>50:</b> 50mm <sup>2</sup> shielded wire						