

Excel|Mate PT (HVPC 800)

HVPC 800



KEY FEATURES

Easy to install, reliable connection

Sealing, IP67 (mated), IP6K9K

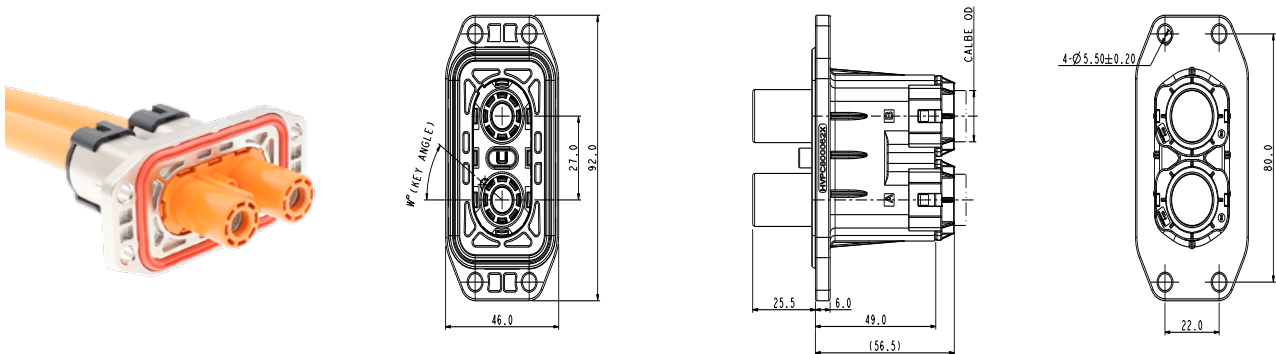
Multiple coding positions

360° shielded from wire to device

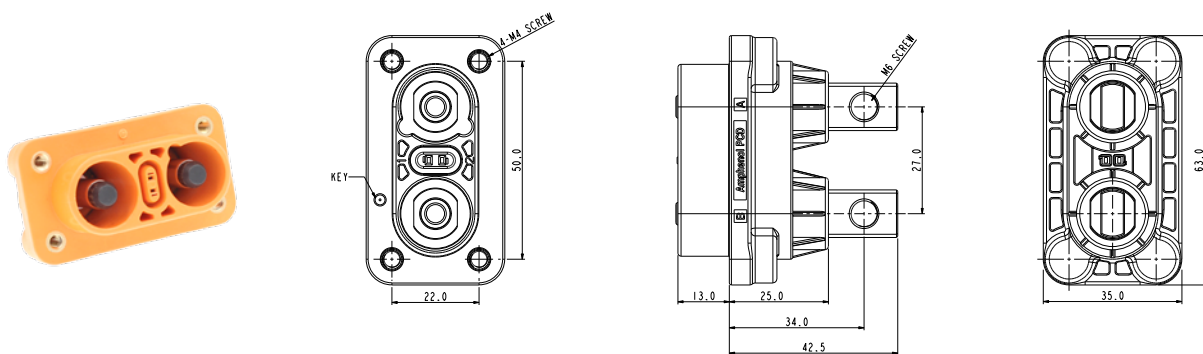
Economical

MECHANICAL	
Durability	≥ 50 mating cycles
Wire range	35 to 50 mm ² shielded wire
Insertion and extraction force	< 100N
Connection type	Crimp
HVIL	Integrated
ELECTRICAL	
Rated voltage	1000V DC
Rated current	Max 180A @ ambient temperature 70°C
Insulator resistance	> 100MΩ
Dielectric withstand voltage	3000V AC
Shielding	360° from wire to device
ENVIRONMENTAL	
Sealing	IP67, IP6K9K (mated)
Temperature range	-40°C to 125°C
Salt spray	96 hours
STANDARDS	
RoHS	
MATERIAL	
Housing	Metal

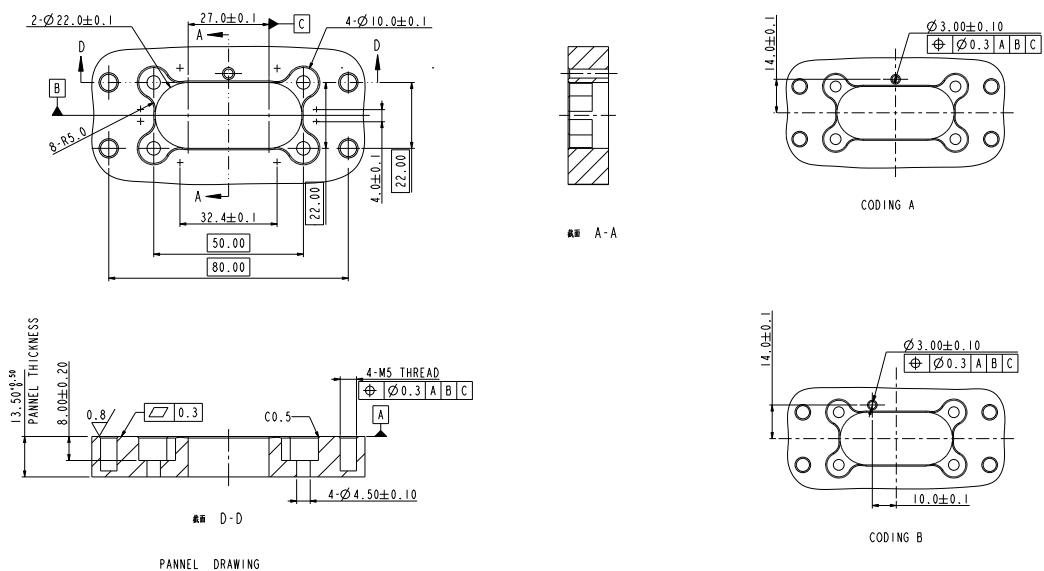
HVPC 800 PLUG



HVPC 800 RECEPTACLE



PANEL MOUNTING DIMENSION



HOW TO ORDER (HVPC 800)

HOW TO ORDER: PLUG

	HVPC 800	06	2	A	1	35
Product type:						
06: Plug						
Position:						
2: 2 positions						
Coding:						
A: Coding A						
B: Coding B						
HVIL:						
0: Without HVIL						
1: With HVIL						
Wire type:						
35: 35mm ² shielded wire						
50: 50mm ² shielded wire						

HOW TO ORDER: RECEPTACLE

	HVPC 800	02	2	A	1	H6
Product type:						
02: Receptacle						
Position:						
2: 2 positions						
Coding:						
A: Coding A						
B: Coding B						
HVIL:						
0: Without HVIL						
1: With HVIL						
Wire type:						
H6: M6 OT terminal						