

### HVC 8mm single pole connector (180°)

High voltage, high current, 16mm<sup>2</sup>~50mm<sup>2</sup> Unshielded Wire

#### Part-No:

##### → Plug:

- HVSC1P80FSX16 (16 mm<sup>2</sup> Ø7.7~8.3)
- HVSC1P80FSX25 (25 mm<sup>2</sup> Ø9.4~10.0)
- HVSC1P80FSX35 (35 mm<sup>2</sup> Ø10.3~11.0)
- HVSC1P80FSX50 (50 mm<sup>2</sup> Ø12.4~13.2)

##### → Socket:

- HVSC1P80MVX00 (M6)
- "X" indicates code 1/2/3/4

#### Mating design:

- Serviceable locking leg
- Locking assurance by CPA
- Operation with handle

#### Terminal system:

- 1x Ø 8 mm Radsok, silver plated
- Wire size 16/25/35/50mm<sup>2</sup>, Unshielded

#### Terminal technology:

- Crimping for power termination
- Screw fasten for power terminal

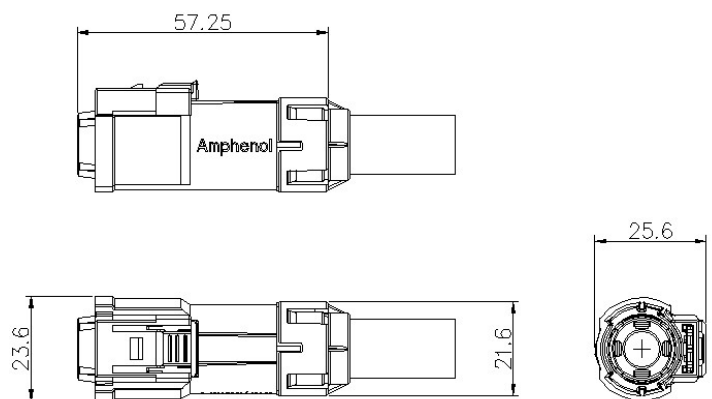
#### General:

- IP67, IP6K9K(mated)
- IPXXB (unmated)
- coding: A/B/C/D
- Plug type: 180°



#### Dimensional characteristics:

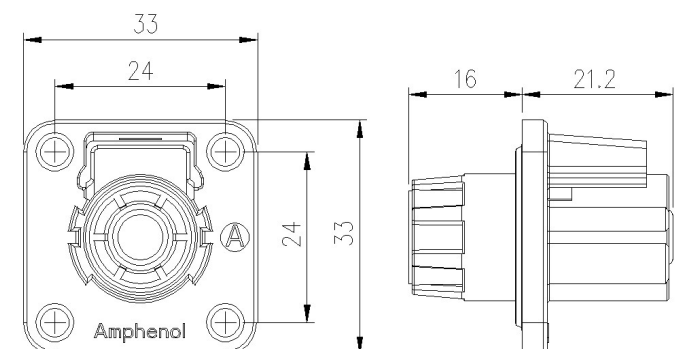
##### Plug:



#### Performance characteristics:

- Unmating force : ≤ 100N
- Temperature range : -40°C to+140°C
- Max. rated voltage : 1000V DC
- Mating cycles : 50min
- Max. current : 220A

##### Socket :



#### Construction:

- Housing material : PA66-GF, V0, orange
- Terminal material : Copper alloy