



THE R M O M E T R I C S
A COMMITMENT TO EXCELLENCE

Inline Flow-Through Fluid Temperature Sensor



Thermometrics Inline Flow-Through Temperature Sensor monitors the temperature of a fluid that passes through it. A system control module receives this temperature reading and uses a control loop to control the overall system temperature. This could be engine temperature, heater temperature, industrial supply temperature, etc.

Applications

- Engine Coolant Temperature
- Battery Pack Coolant Line Temperature
- Process Flow Management
- HVAC Water Management
- Home Appliances

Features

- High sensitivity
- Wide application range
- Compact design
- SAE J-1231 interface
- USCAR sealed connection system
- Available in four standard hose sizes



Amphenol
Advanced Sensors

Inline Flow-Through Fluid Temperature Sensor Specifications

Operating Temperature

-40°C to 120°C (-40°F to 248°F)

Storage Temperature

-40°C to 120°C (-40°F to 248°F)

R @ 77°F (25°C)

10 KΩ ± 1.5%

Beta

Part Number	Beta (25/85)°C
GE-2102	3977K
GE-1935	3977K
GE-2103	3977K
CTTS-302651-F01	3435K

Housing Material

Polyamide 6/6

Color: Black

Mating Connector

Molex 31403-2100 without CPA Lock

Molex 31403-2110 with CPA Lock

Thermistor Material System

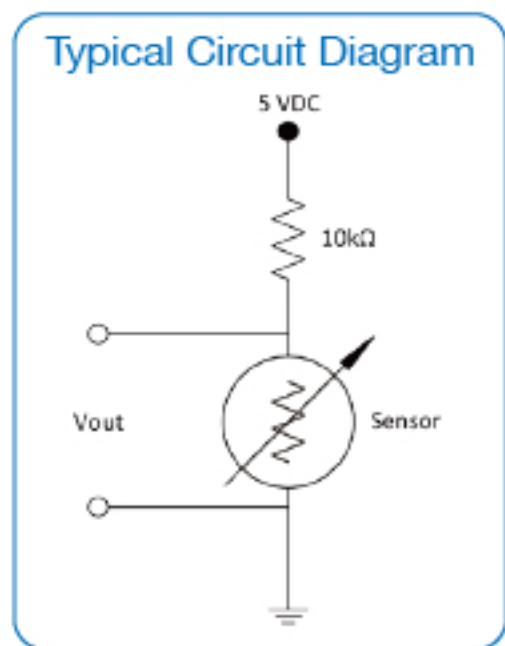
Material 1

Mechanical

Part Number	Hose Size	SAE J1231 Hose Dash Size	Weight
GE-2102	0.50 in (12.70 mm)	-8	~8g
GE-1935	0.75 in (19.05 mm)	-12	~14g
GE-2103	1.25 in (31.75 mm)	-20	~26g
CTTS-302651-F01	0.55 in (14.00 mm)	-14	~10.1g

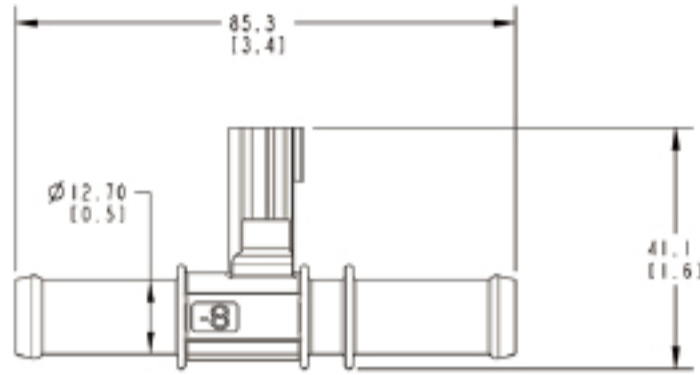
GE Series RvT Table			
Temp. (°C)	Resistance (Ω)	Resistance Tolerance (± %)	Temp. Tolerance (±°C)
-40	332776	5.95	0.5
-20	96481	4.24	0.5
0	32566	2.71	0.4
20	12486	1.72	0.4
25	10000	1.50	0.3
40	5331	2.11	0.5
60	2490	2.84	0.6
85	1071	3.58	0.8
100	678.1	5.56	1.0
120	338.2	7.00	1.2

CTTS RvT Table			
Temp. (°C)	Resistance (Ω)	Resistance Tolerance (± %)	Temp. Tolerance (±°C)
-40	209587	4.6	0.8
-20	71203	3.5	0.7
0	27758	2.5	0.6
20	12116	1.7	0.4
25	10000	1.5	0.4
40	5807	2.1	0.6
60	3009	2.7	0.9
85	1450	3.5	1.3
100	968.4	3.9	1.5
120	579.8	4.4	1.8

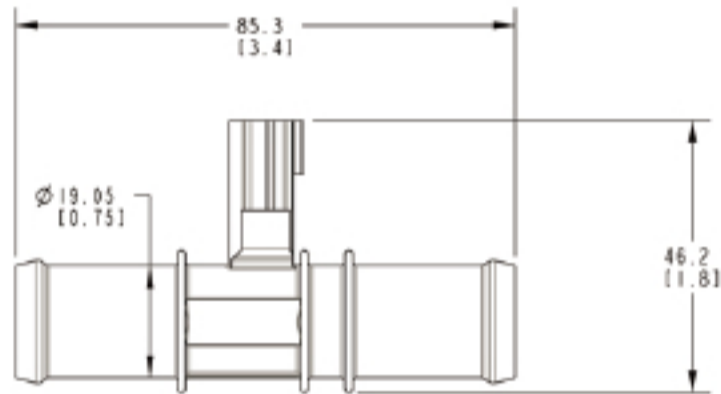


Inline Flow-Through Fluid Temperature Sensor Dimensions (mm/in)

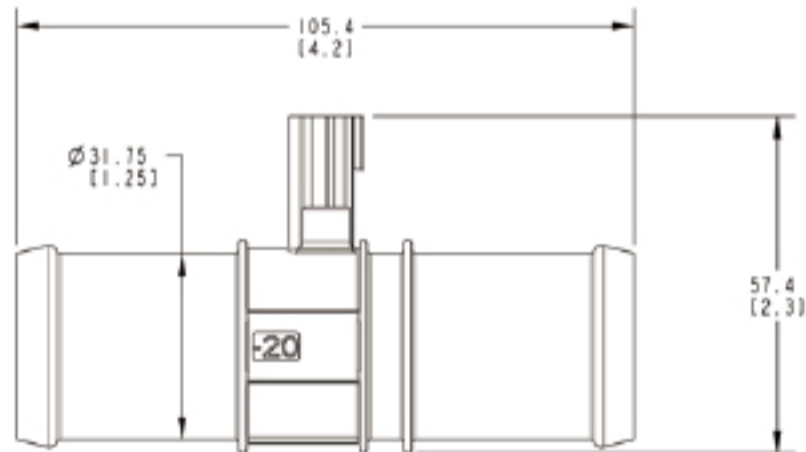
GE-2102
-8, 1/2" Hose



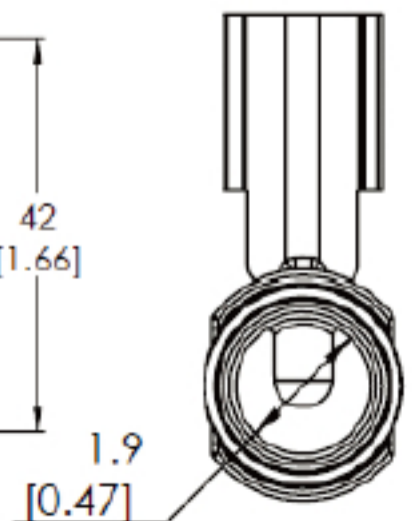
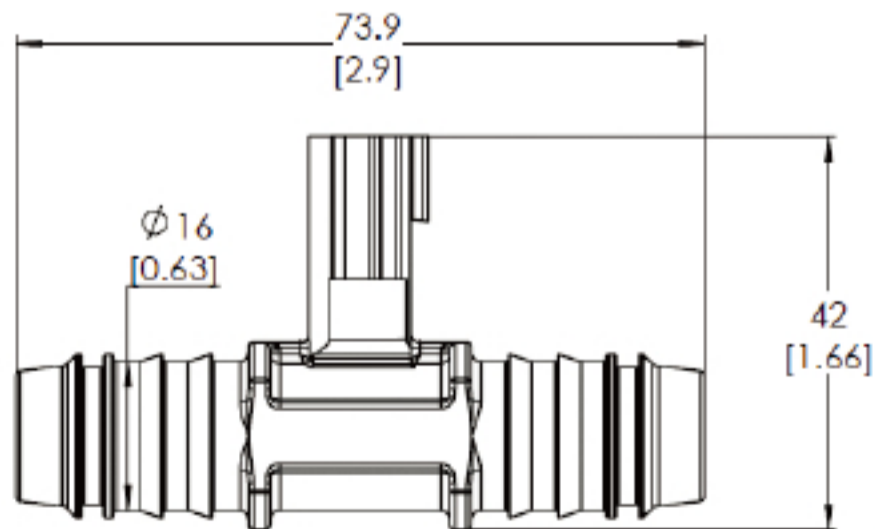
GE-1935
-12, 3/4" Hose



GE-2103
-20, 1-1/4" Hose



CTTS-302651-F01
-14, .55" Hose



Dimensions shown are for envelope size. Contact Product Engineering for detailed drawings.

