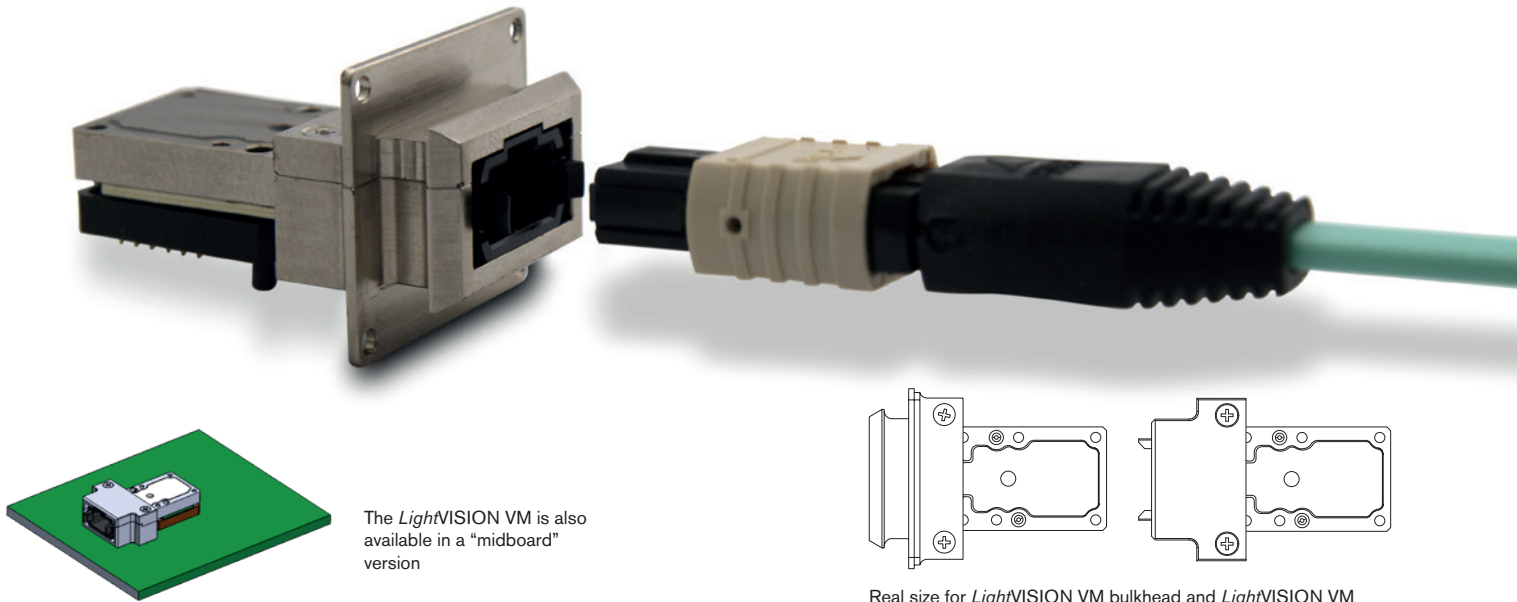
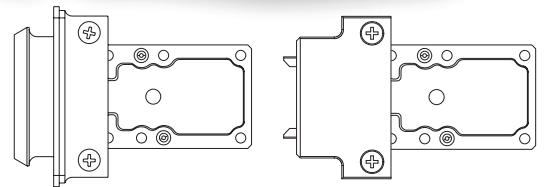


REFLEXPHOTONICS®

The most rugged high-performance embedded parallel optics.



The *LightVISION VM* is also available in a "midboard" version



Real size for *LightVISION VM* bulkhead and *LightVISION VM* midboard versions.

LightVISION VM with MPO interface up to 150G

Key advantages

- Flexible height with LGA interposer
- Rugged RoHS electrical interface
- Screw-in optical module
- Standard MTP/MPO cable connection
- Robust, board-mounted optical module with reduced footprint
- **Performance:** up to 150G from 0°C to 85°C
- **Low power consumption:** 100 mW per lane

Configurations

- 2, 4, 6, 8, 10, 12-lane transmitter
- 2, 4, 6, 8, 10, 12-lane receiver
- 4-lane transceiver

Applications

- Smart car, high-resolution cameras
- LIDAR connection to embedded computer
- Smart city, surveillance cameras
- Industry 4.0
- Machine vision

LightVISION VM product summary

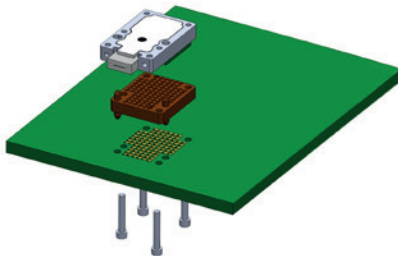
The *LightVISION™ VM* is a screw-in, robust, industrial and RoHS optical module with MPO interface. This combination allows a standard MPO cable to be plugged into the optical module and also mounted on the face-plate of a box or line-card. This approach combines a standard MPO cable connection with a robust, board mounted optical engine providing small size (footprint) and convenient optical cabling at the same time. In addition, the MPO connector is covered with an outside cover boot addressing the issue of water and dust contamination.

THE **Light** on Board® Company

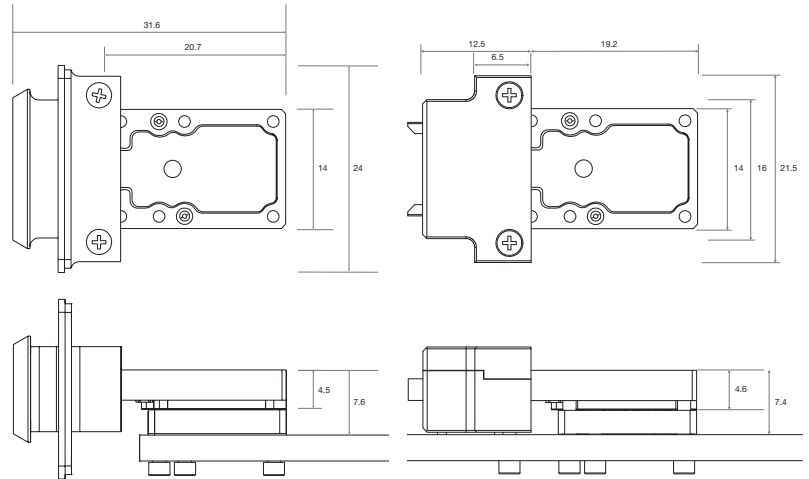
LightVISION VM features

The *LightVISION*™ VM module is offered with bandwidth from 25G (2 TX or 2 RX lane) to 150G (12 TX or 12 RX lane). All modules operate at up to 12,5 Gbps per lane with a BER as low as 10^{-12} and a -9 dBm sensitivity.

- Multimode 850 nm wavelength laser
- Over 100 m reach on OM3 ribbon fiber
- Standard MPO parallel fiber connector
- Equalizer, pre-emphasis, adjustable output
- Monitoring: LOS, RSSI, temperature etc.
- Integrated microcontroller
- Available in commercial grade temperature range (0°C to 85°C)



LightVISION VM LGA interposer and board attachment.



Drawing of *LightVISION* VM. Bulkhead mount (left) and midboard (right). (measurements given in mm)

LightVISION VM with MPO interface ordering information

Part Number	Product Description	Lanes	Bandwidth (Gbps/lane)	Sensitivity (dBm)	Mounting	Optical Interface	Operating Temperature (°C)
VMX04P6185121AA	<i>LightVISION</i> VM 4TRX transmit/receive	4+4	12.5	-9	RoHS LGA interposer bulkhead mount	MTP/MPO	0 to 85
VMX04B6185121AA	<i>LightVISION</i> VM 4TRX transmit/receive	4+4	12.5	-9	RoHS LGA interposer midboard mount	MTP/MPO	0 to 85
VMT12P6185130AA	<i>LightVISION</i> VM 12TX transmitter	12	12.5	n.a.	RoHS LGA interposer bulkhead mount	MTP/MPO	0 to 85
VMR12P6185101AA	<i>LightVISION</i> VM 12RX receiver	12	12.5	-9	RoHS LGA interposer bulkhead mount	MTP/MPO	0 to 85
VMT12B6185130AA	<i>LightVISION</i> VM 12TX transmitter	12	12.5	n.a.	RoHS LGA interposer midboard mount	MTP/MPO	0 to 85
VMR12B6185101AA	<i>LightVISION</i> VM 12RX receiver	12	12.5	-9	RoHS LGA interposer midboard mount	MTP/MPO	0 to 85

ACCESSORIES

Part Number	Product Description
500-00090	<i>LightSNAP</i> MPO cable

THE *Light* on Board® Company

www.reflexphotonics.com

Reflex Photonics Inc.

16771, Chemin Ste-Marie
Kirkland, QC
H9H 5H3, Canada

Reflex Photonics is certified to ISO 9001

For information on Reflex Photonics products, contact:

sales@reflexphotonics.com
+1.514.842.5179 (Montreal)
+1.408.715.1781 (USA)



*Please note that all drawings and specifications herein are only given in a summary way and all specifications may be modified without notice. It is forbidden to use those drawings or specifications for any other purpose than for a basic information. If required, please contact Reflex Photonics Inc. for more information. All brands are trademarks or registered trademarks of Reflex Photonics Inc. or third-party owners. © 2019 Reflex Photonics Inc. All Rights Reserved. LightVISION_VM_EN_201902 | Publication date: 21/02/19