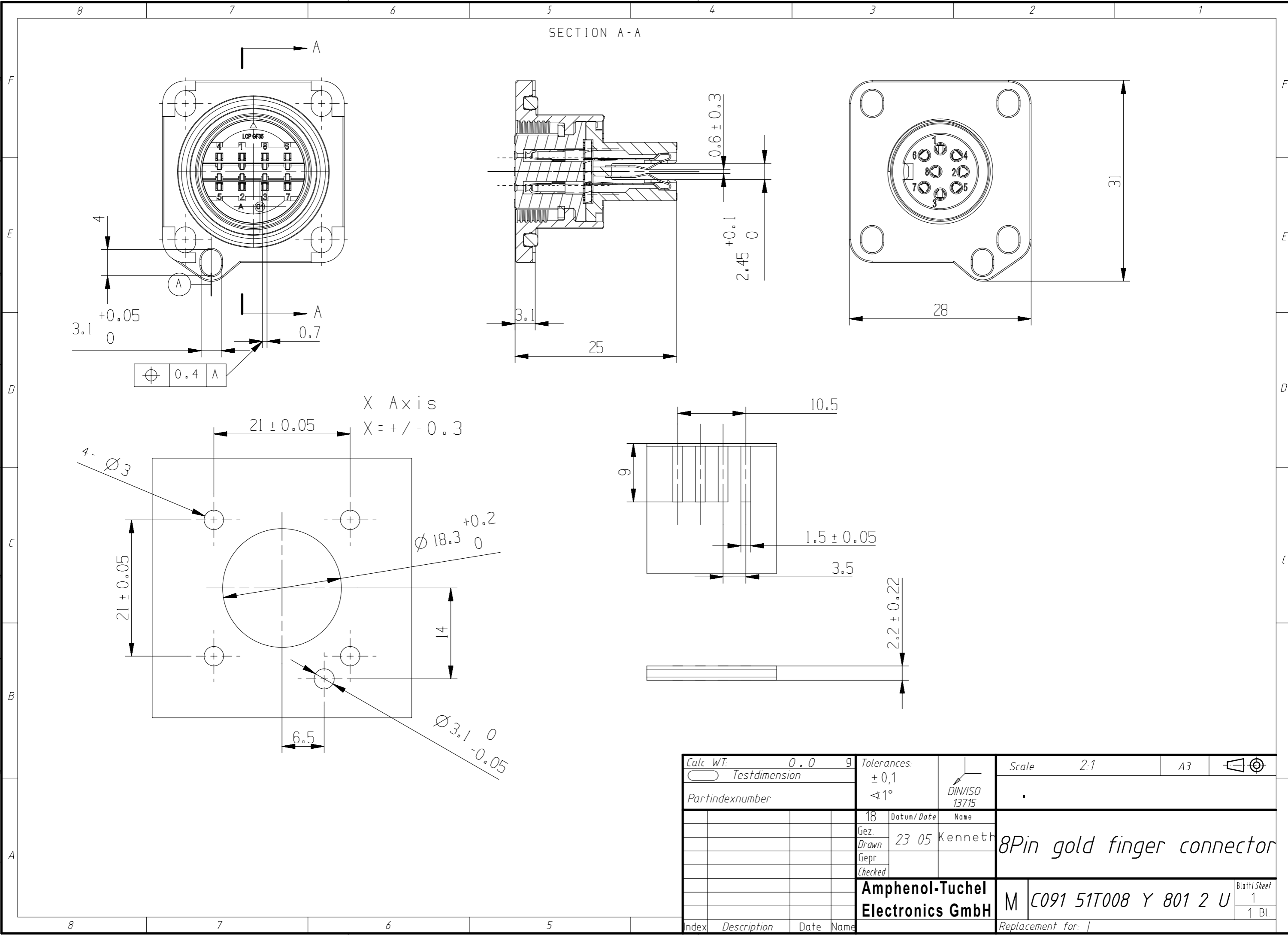


Copying of this document and giving it to others and the use or communication of the contents thereof, are forbidden without express authority. Offenders are liable to the payment of damages. All rights are reserved in the event of the grant of a patent or the registration of the utility model or design.



Calc WT:	0.0	9	Tolerances:	± 0,1	DIN/ISO 13715	Scale	2:1	A3		
	Testdimension			< 1°						
Partindexnumber						8Pin gold finger connector				
			18	Datum/Date	Name					
			Gez.	23 05	Kenneth					
			Gepr.							
			Checked			Amphenol-Tuchel Electronics GmbH		M	C091 51T008 Y 801 2 U	Blatt/Sheet 1 1 Bl.
Index	Description	Date	Name	Replacement for:						