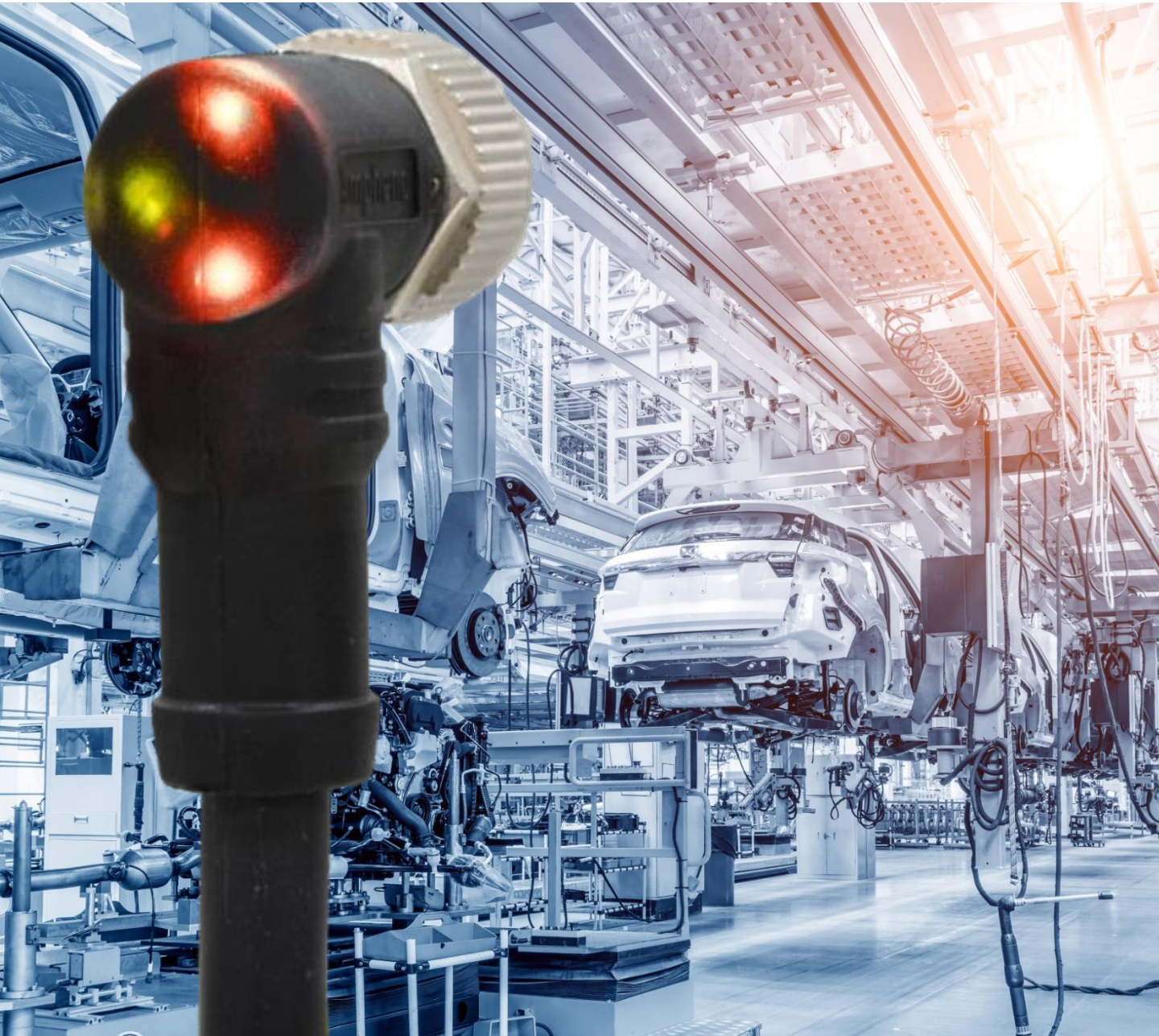


# Amphenol®

## M Series with LED



*Unrivaled InterConnects for Harsh Environments*



# Connectors With LED



Industrial Automation



Mobile Vehicles



Automotive Industry

**Amphenol LTW** is adding straight and right angle **M8, Guide M8, M12** connectors with three LEDs to its connectivity portfolio. LED indication on the connector is often indispensable for the direct detection of faults in the field.

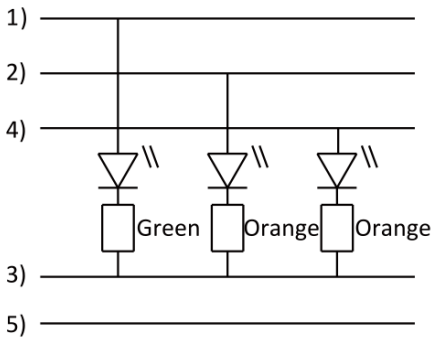
Our connectors are provided with three colors – Green, Orange, Orange and can be used in wide applications such as industrial automation, mobile vehicles and automotive industry... etc.



# M Series With LED

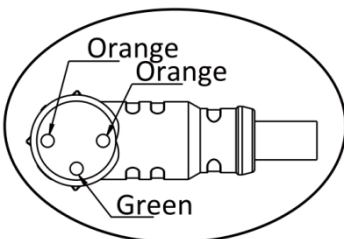
NEW

- ✓ M8 A / B / D Coded
- ✓ Guided M8
- ✓ M12 A-Coded
- ✓ EN61373 / SAE J2839  
shock & vibration approved



## SPECIFICATION

- Starts from 3 / 4 / 5 pins
- With LED indicator colors:  
Green / Orange / Orange
- Temperature  $-40^{\circ}\text{C} \sim 105^{\circ}\text{C}$
- Long service life  $\geq 1,000$  cycles
- Protection class IP68
- Corrosion resistance up to 48h
- Meets IEC standard & UL certified
- B / D / K / L / M / S / T coding upon request





## Best Solution from Amphenol

### Amphenol アンフェノール ジャパン株式会社

□ 本社・工場 〒520-3041 滋賀県栗東市出庭471-1 TEL 077-553-8503(代) FAX 077-551-2200  
□ 横浜オフィス 〒222-0033 神奈川県横浜市港北区新横浜2-2-8 TEL 045-473-9219(代) FAX 045-473-9204

<http://www.amphenol.co.jp/industrial>

*Unrivaled InterConnects for Harsh Environments*