

MIL-STD-1760

STORES MANAGEMENT TYPE II

RAIL LAUNCH CONNECTORS

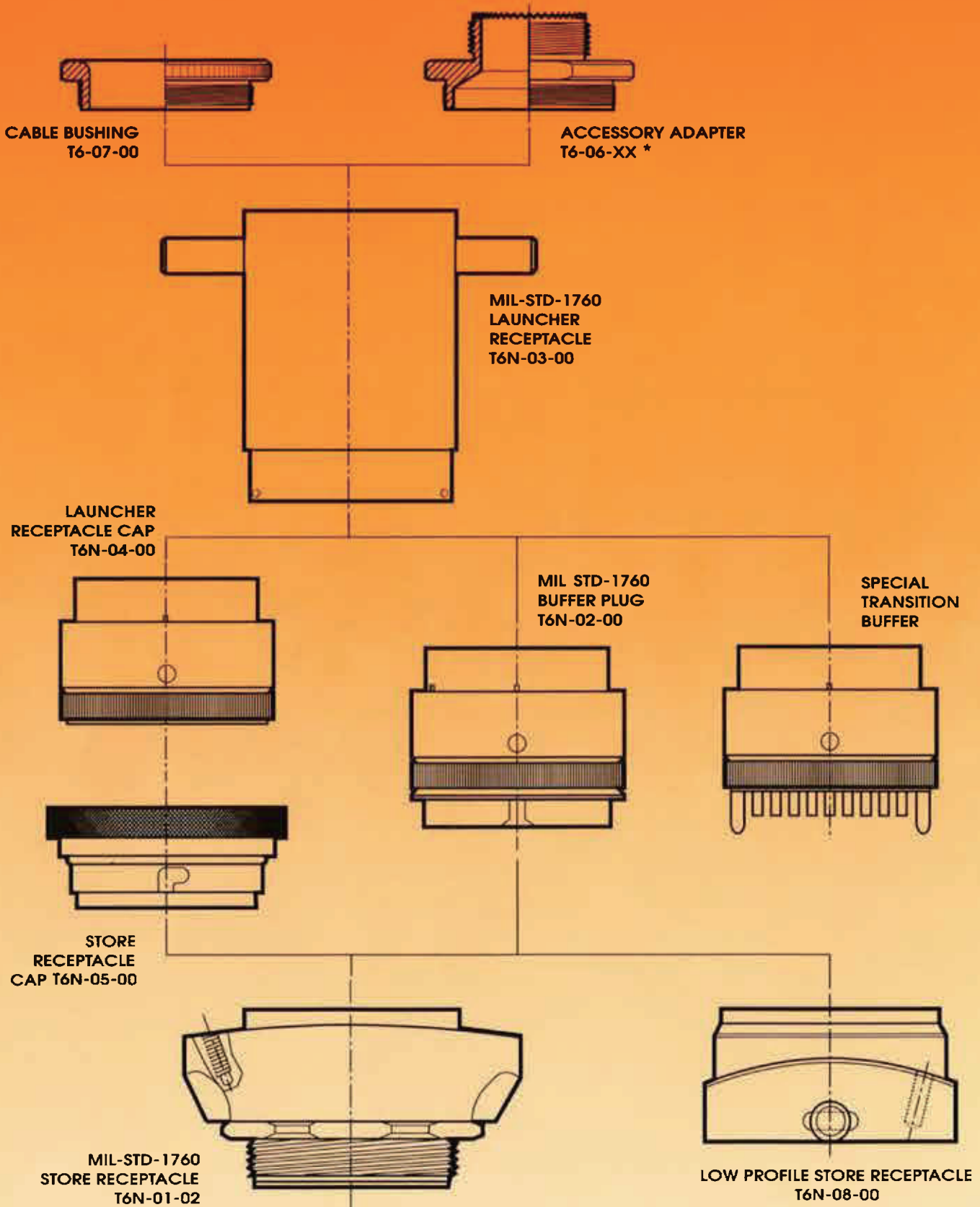


Amphenol



TYPE II RAIL LAUNCH CONNECTOR SYSTEM

MIL-Std-1760 Stores Management Connector System (Air Force drawing number 9011811) is designed for use on aircraft that carry missiles such as AMRAAM. The insert has a hybrid arrangement currently used in systems on the F-18, B-52, B-2 and SRAM II programs.

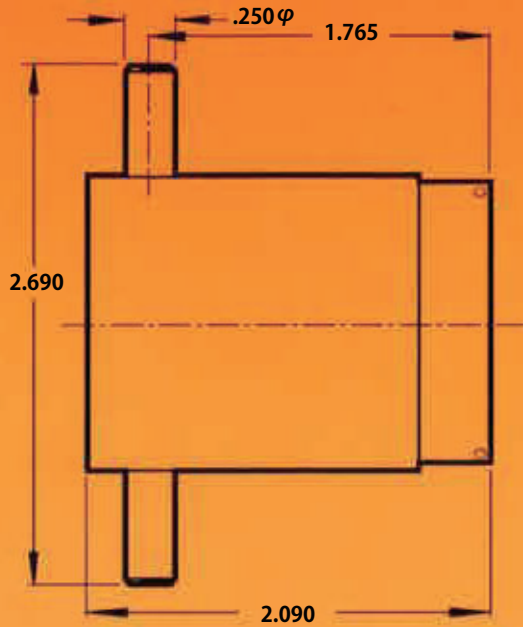


* Accomodates size 09 through 25 backshell hardware (eg. #T6-06-09 for Adapter with size 09 backshell).

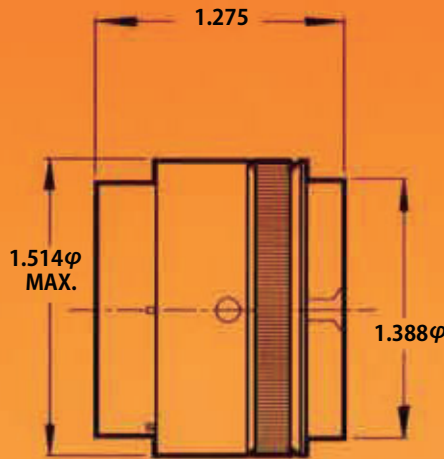
PYLE-NATIONAL DETAILS AND DIMENSIONS



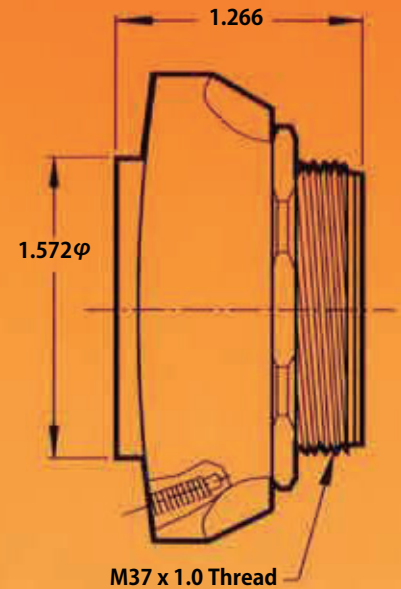
The Type II Launcher Plug, Buffer Plug and Missile receptacle are designed for blindmating of stores on rail launch applications. The Buffer provides protection for the launcher plug during launching of the missile and is replaceable as necessary.



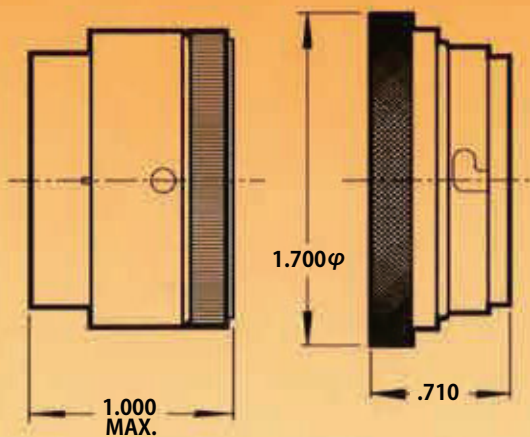
LAUNCHER RECEPTACLE T6N-03-00



BUFFER PLUG T6N-02-00

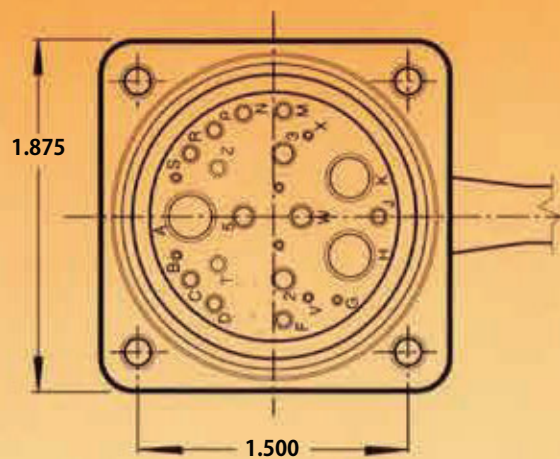


STORE RECEPTACLE T6N-01-02



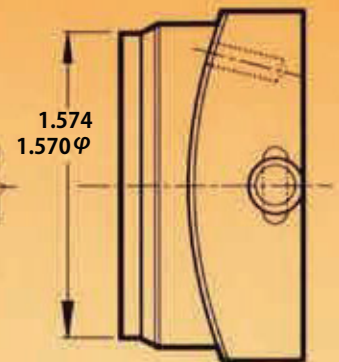
LAUNCHER RECEPTACLE CAP T6N-04-00

STORE RECEPTACLE CAP T6N-05-00



LOW PROFILE STORE RECEPTACLE T6N-08-00

Consult factory for variations and maximum number of wires that can be accommodated
Connector less contacts



LOW PROFILE STORE RECEPTACLE T6N-08-00

#25-20 INSERT ARRANGEMENT

CONTACTS	3 - #8 TWINAX	4 - #12 COAX	13 - #16 POWER	10 - #20 POWER
PIN	T3-46T08-LD	T3-4612-211-LD	T3-4016-96LD	T3-4020-96LD
SOCKETS	T3-47T08-LD	T3-4712-416-LD	T3-4116-96LD	T3-4120-96LD

POWER CONTACTS

CONTACT SIZE	PINS		SOCKETS		SEAL PLUGS	
	SPEC. NUMBER	PYLE NUMBER	SPEC. NUMBER	PYLE NUMBER	Spec. Number	Pyle Number
20	M39029/58-363	T3-4020-96LD	M39029/56-351	T3-4120-96LD	M27488-20 Red	T3-4020-59L
16	M39029/58-364	T3-4016-96LD	M39029/56-352	T3-4116-96LD	M27488-16 Blue	T3-4016-59L

SHIELDED CONTACTS

CONTACT SIZE	PINS		SOCKETS		DUMMY CONTACTS		CABLE ACCOMMODATIONS
	SPEC. NUMBER	PYLE NUMBER	SPEC. NUMBER	PYLE NUMBER	Spec. Number	Pyle Number	
12 Coax.	M39029/28-211	T3-4612-211-LD	M39029/75-416	T3-4712-416-LD	M85049/12	T3-4012-58P	RG174, 179, 316
12 Coax.	M39029/28-409	T3-4612-409-LD	M39029/75-417	T3-4712-417-LD	M85049/12	T3-4012-58P	RG180
6 Twinax	M39029/90-529	T3-46T08-LD	M39029/91-530	T3-47T08-LD	M85049/80-8	T3-4008-59P	M17/176-00002

ORDERING INFORMATION

MILITARY DESIGNATION	PART DESCRIPTION	PYLE-NATIONAL DESIGNATION
AIR FORCE 9011811	RAIL LAUNCH CONNECTOR ASSEMBLY	T6N-XX-XX
AIR FORCE 9011811-A	STORE RECEPTACLE	T6N-01-02
AIR FORCE 9011811-B	BUFFER PLUG	T6N-02-00
AIR FORCE 9011811-D	LAUNCHER RECEPTACLE	T6N-03-00
AIR FORCE 9011811-E	STORE RECEPTACLE CAP	T6N-04-00
AIR FORCE 9011811-F	LAUNCHER CAP	T6N-05-00

Amphenol
Aerospace

Amphenol Aerospace
40-60 Delaware Avenue
Sidney, NY 13838-1395

Customer Service:
Mon - Fri 8AM - 5PM
Phone: (800) 678-0141
Fax: (607) 563-5157
Online: www.amphenol-aerospace.com