

MICRO-D SURFACE MOUNT CONNECTORS

SERIES SMT

How to Order

FEATURES

- Supplied fully potted
- Available in sizes 09 to 51 with two contact rows

1.	2.	3.	4.	5.	6.	7.	8.
RoHS Compliant	Connector Series	Insulator Material	Shell Finish	Connector Size	Connector Type	Termination	Hardware
	100	R	N	09	P	VM	P

MICRO-D

1. Environmental	
E	RoHS Compliant
	Blank for Non-RoHS

2. Connector Series	
100	Metal Shell per M83513
104	Stainless Steel per M83513

3. Insulator Material	
R	Ryton (Polyphenylene Sulfide)

4. Shell Finish	
A	Anodized (Black)
B	Zinc Nickel (Black Chromate)
C	Cadmium (Yellow Chromate)
D	Olive Drab Cadmium
F	Chem Film
N	Electroless Nickel
G	Gold
K	Zinc Nickel- 48 hrs
L	Pure Electro-deposited Aluminum
T	Nickel Teflon

5. Connector Size (Number of Contacts)	
	09
	15
	21
	25
	3
	37
	51 (2 Row Only)

6. Connector Type	
P	Plug
S	Receptacle
G	Plug with Ground Spring

7. Termination	
CE	Card Edge Surface Mount
HM	Horizontal Surface Mount
VM	Vertical Surface Mount

8. Hardware (Pre-Installed)	
B	Standard Mounting Holes
P	Jackpost
PA	Hex Head Rear Panel Mount Jackpost for .027" - .037" [.68mm - .94mm] Panel Thickness
PB	Hex Head RPM for .042" - .052" [1.06mm - 1.32mm] Panel Thickness
PC	Hex Head RPM for .057" - .067" [1.45mm - 1.70mm] Panel Thickness

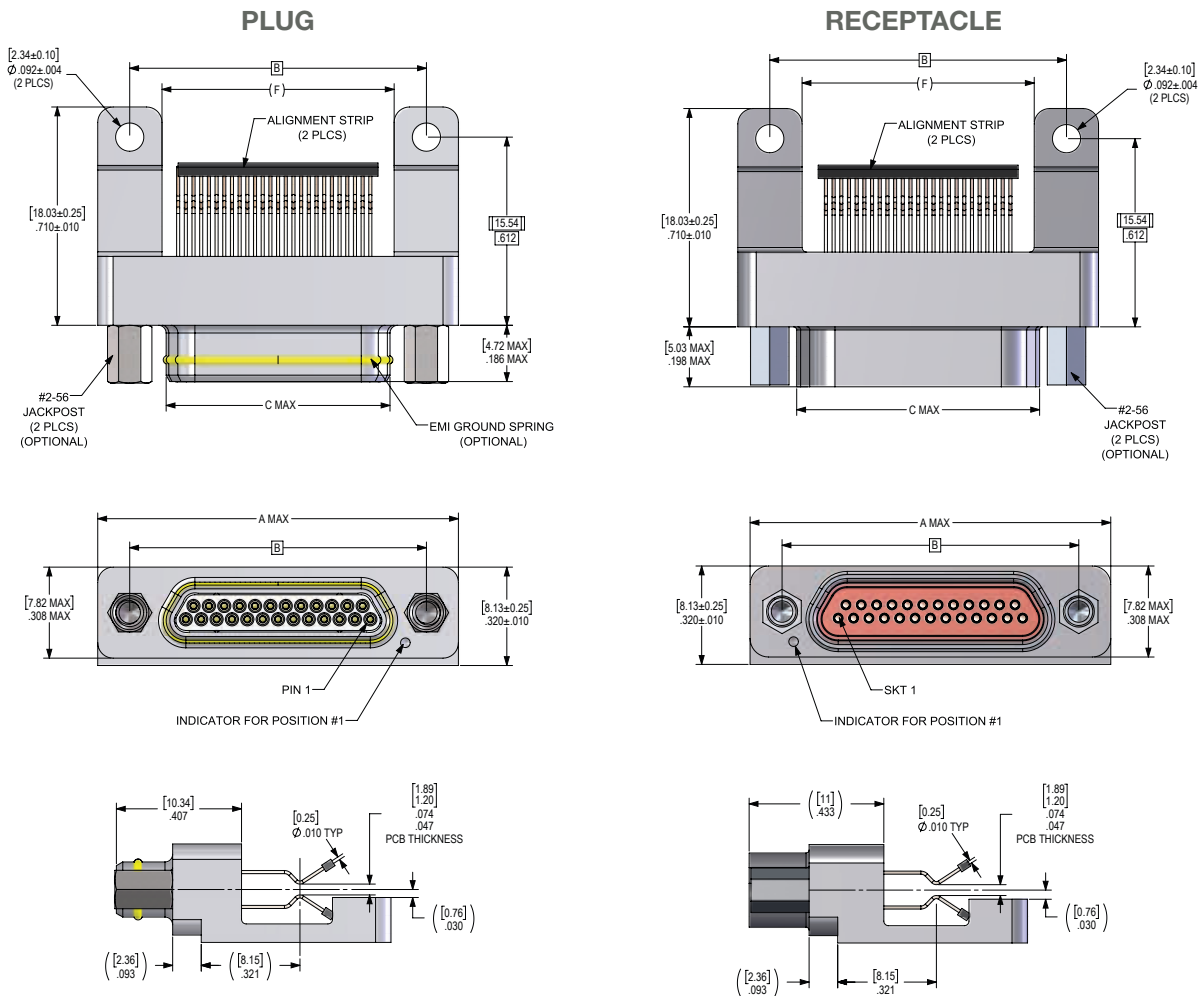
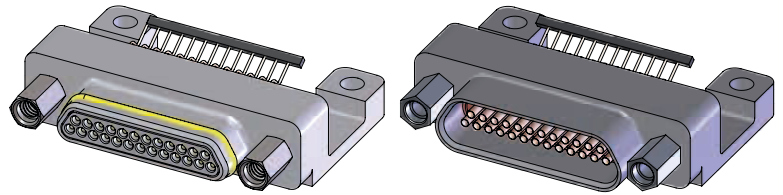
8. Hardware (Pre-Installed)	
PD	Hex Head RPM for .088" - .098" [2.24mm - 2.49mm] Panel Thickness
PE	Hex Head RPM for .075" - .085" [1.91mm - 2.16mm] Panel Thickness
PF	Hex Head RPM for .120" - .130" [3.05mm - 3.30mm] Panel Thickness
PG	Hex Head RPM for .067" - .077" [1.70mm - 1.96mm] Panel Thickness
SA	Slot Head Rear Panel Mount Jackpost for .027" - .037" [.68mm - .94] Panel Thickness

8. Hardware (Pre-Installed)	
SB	Slot Head RPM for .042" - .052" [1.06mm - 1.32mm] Panel Thickness
SC	Slot Head RPM for .057" - .067" [1.45mm - 1.70mm] Panel Thickness
SD	Slot Head RPM for .088" - .098" [2.24mm - 2.49mm] Panel Thickness
SE	Slot Head RPM for .075" - .085" [1.91mm - 2.16mm] Panel Thickness
SF	Slot Head RPM for .120" - .130" [3.05mm - 3.30mm] Panel Thickness
SG	Slot Head RPM for .067" - .077" [1.70mm - 1.96mm] Panel Thickness
M2	Low Profile Jackscrew, Allen Head

8. Hardware (Pre-Installed)	
M3	High Profile Jackscrew, Allen Head
M5	Low Profile Jackscrew, Slot Head
M6	High Profile Jackscrew, Slot Head

Card Edge Surface Mount Termination

EDGE BOARD CONNECTOR



Dimensions are in inch(mm)

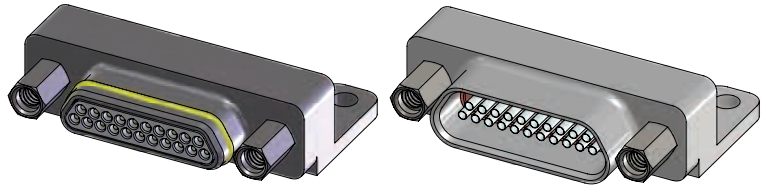
SIZE	A Max	B	C MAX		F Ref.
			Receptacle	Plug	
09	.785 (19.94)	.565 (14.35)	.402 (10.21)	.334 (8.48)	.355 (9.02)
15	.935 (23.75)	.715 (18.16)	.552 (14.02)	.484 (12.29)	.505 (12.83)
21	1.085 (27.56)	.865 (21.97)	.702 (17.83)	.634 (16.10)	.655 (16.64)
25	1.185 (30.10)	.965 (24.51)	.802 (20.37)	.734 (18.64)	.755 (19.18)
31	1.335 (33.91)	1.115 (28.32)	.952 (24.18)	.884 (22.45)	.905 (22.99)
37	1.485 (37.72)	1.265 (32.13)	1.102 (27.99)	1.034 (26.26)	1.055 (26.80)
51-2	1.835 (46.61)	1.615 (41.02)	1.452 (36.88)	1.384 (35.15)	1.405 (35.69)

MICRO-D SURFACE MOUNT CONNECTORS

SERIES SMT

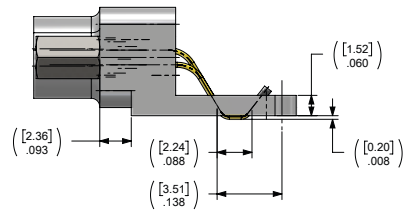
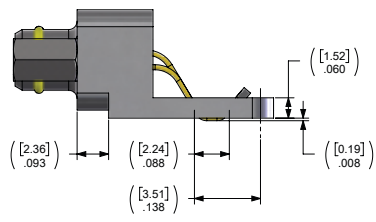
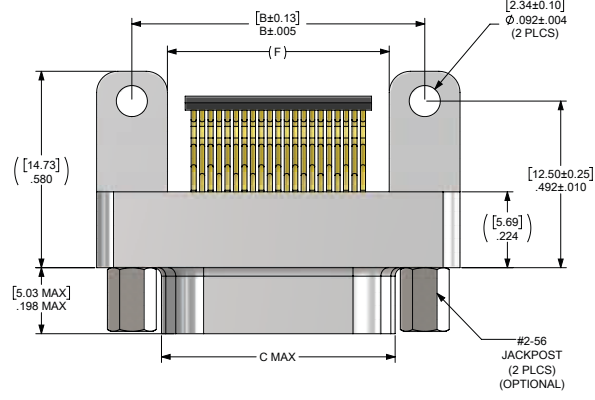
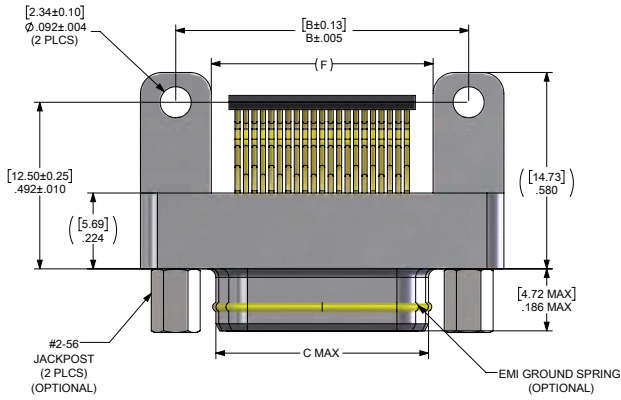
Horizontal Surface Mount Termination

BOARD RIGHT ANGLE CONNECTOR



PLUG

RECEPTACLE

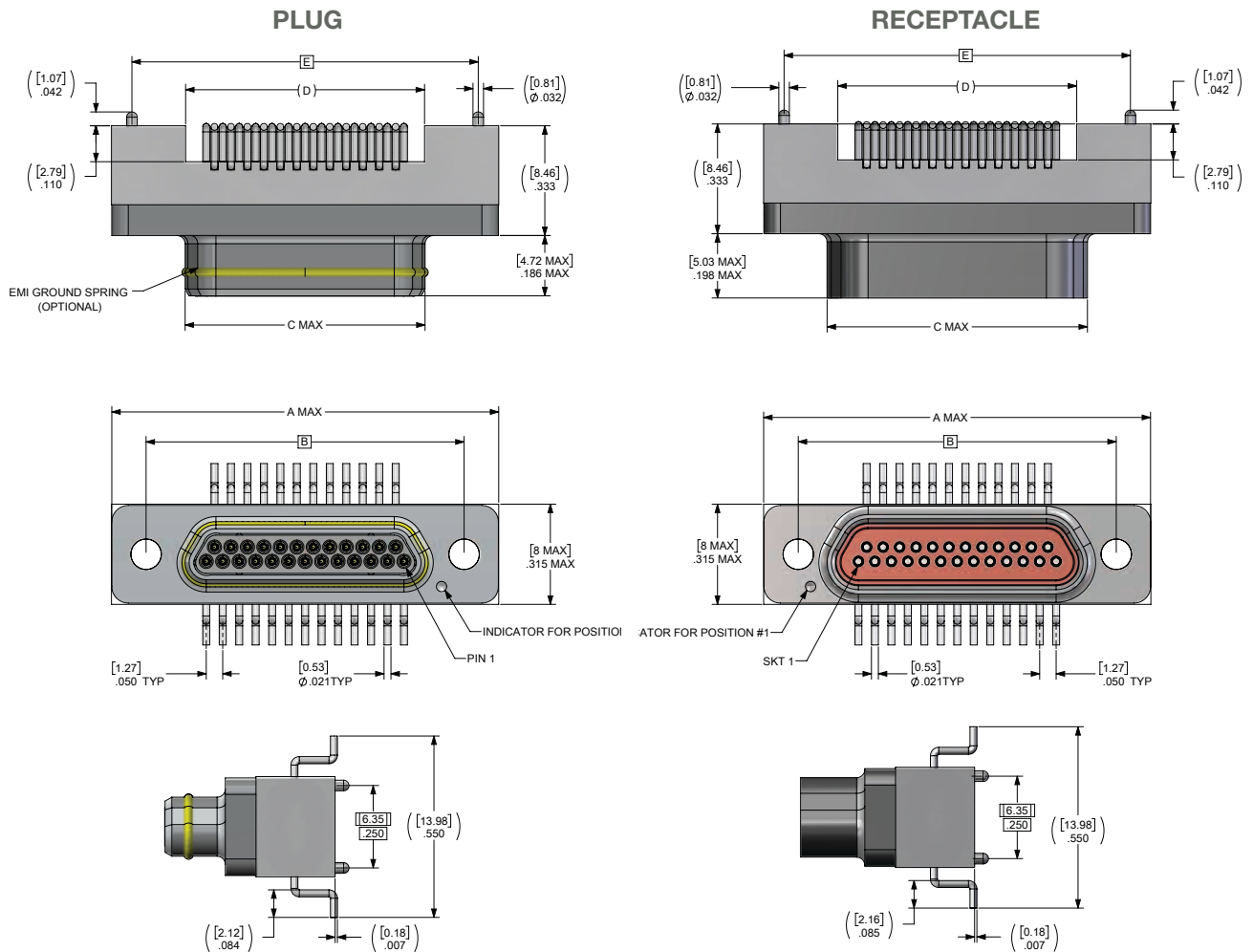
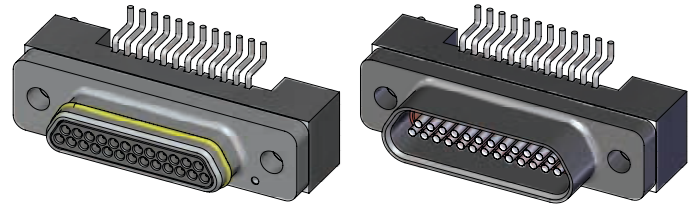


MICRO-D

Dimensions are in inch(mm)

SIZE	A Max	B	C MAX		F Ref.
			Receptacle	Plug	
09	.785 (19.94)	.565 (14.35)	.402 (10.21)	.334 (8.48)	.355 (9.02)
15	.935 (23.75)	.715 (18.16)	.552 (14.02)	.484 (12.29)	.505 (12.83)
21	1.085 (27.56)	.865 (21.97)	.702 (17.83)	.634 (16.10)	.655 (16.64)
25	1.185 (30.10)	.965 (24.51)	.802 (20.37)	.734 (18.64)	.755 (19.18)
31	1.335 (33.91)	1.115 (28.32)	.952 (24.18)	.884 (22.45)	.905 (22.99)
37	1.485 (37.72)	1.265 (32.13)	1.102 (27.99)	1.034 (26.26)	1.055 (26.80)
51-2	1.835 (46.61)	1.615 (41.02)	1.452 (36.88)	1.384 (35.15)	1.405 (35.69)

Vertical Surface Mount Termination

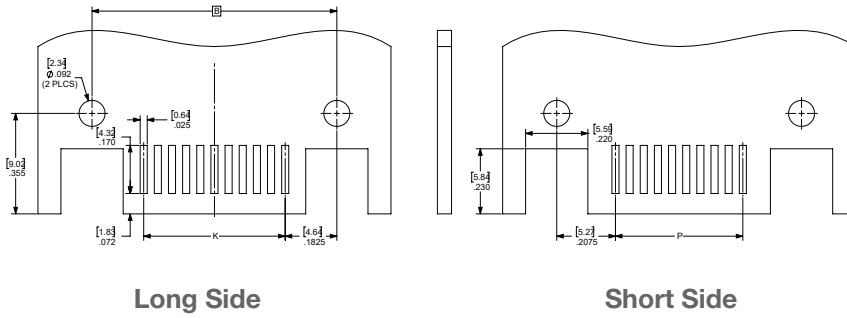


Dimensions are in inch(mm)

SIZE	A Max	B	C MAX		F Ref.
			Receptacle	Plug	
09	.785 (19.94)	.565 (14.35)	.402 (10.21)	.334 (8.48)	.355 (9.02)
15	.935 (23.75)	.715 (18.16)	.552 (14.02)	.484 (12.29)	.505 (12.83)
21	1.085 (27.56)	.865 (21.97)	.702 (17.83)	.634 (16.10)	.655 (16.64)
25	1.185 (30.10)	.965 (24.51)	.802 (20.37)	.734 (18.64)	.755 (19.18)
31	1.335 (33.91)	1.115 (28.32)	.952 (24.18)	.884 (22.45)	.905 (22.99)
37	1.485 (37.72)	1.265 (32.13)	1.102 (27.99)	1.034 (26.26)	1.055 (26.80)
51-2	1.835 (46.61)	1.615 (41.02)	1.452 (36.88)	1.384 (35.15)	1.405 (35.69)

MICRO-D SURFACE MOUNT PCB LAYOUT SERIES SMT

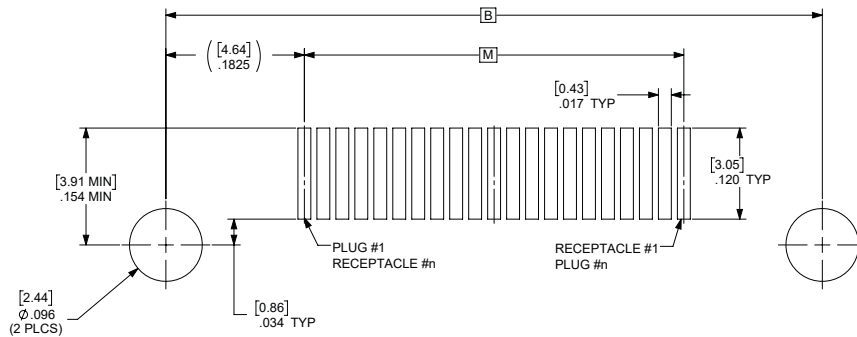
Card Edge Board Mount Layout



Board Layout Dimensions:			
SIZE	B In (mm)	K In (mm)	P In (mm)
09	.565 (14.35)	.200 (5.08)	.150 (3.81)
15	.715 (18.16)	.350 (8.89)	.300 (7.62)
21	.865 (21.97)	.500 (12.70)	.450 (11.43)
25	.965 (24.51)	.600 (15.24)	.550 (13.97)
31	1.115 (28.32)	.750 (19.05)	.700 (17.78)
37	1.265 (32.13)	.900 (22.86)	.850 (21.59)
51-2	1.615 (41.02)	1.25 (35.75)	1.20 (30.48)

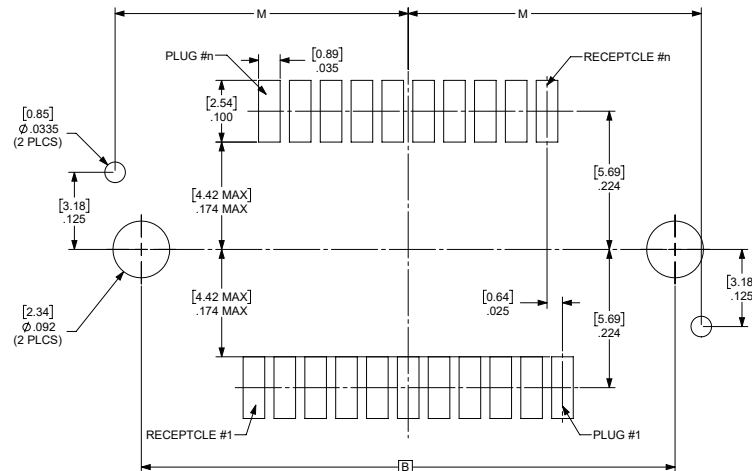
Horizontal Board Mount Layout

MICRO-D



Board Layout Dimensions:		
SIZE	B In (mm)	M In (mm)
09	.565 (14.35)	.200 (5.08)
15	.715 (18.16)	.350 (8.89)
21	.865 (21.97)	.500 (12.70)
25	.965 (24.51)	.600 (15.24)
31	1.115 (28.32)	.750 (19.05)
37	1.265 (32.13)	.900 (22.86)
51-2	1.615 (41.02)	1.25 (35.75)

Vertical Board Mount Layout



Board Layout Dimensions:		
SIZE	B In (mm)	M In (mm)
09	.565 (14.35)	.325 (8.26)
15	.715 (18.16)	.400 (10.16)
21	.865 (21.97)	.475 (12.07)
25	.965 (24.51)	.525 (13.34)
31	1.115 (28.32)	.600 (15.24)
37	1.265 (32.13)	.675 (17.15)
51-2	1.615 (41.02)	.850 (21.59)