

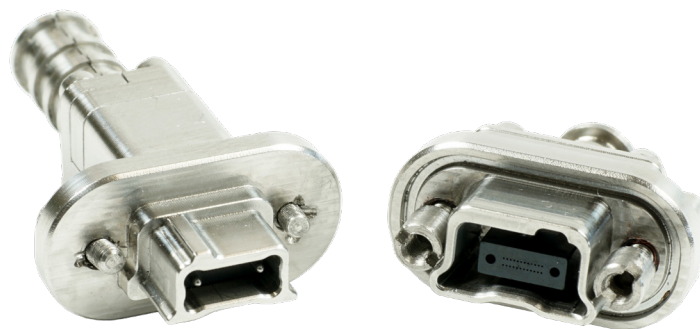


Find all our others
products on
www.amphenol-airlb.fr

Optical connector with MT Ferrule



Space
Defence



BROCHURE 11/21 - V1.0



Customer Service Tel : +33 (0)3 24 22 32 66
2 rue Clément ADER, Zac de Wé Fax : +33 (0)3 24 22 38 72
08110 CARRIGNAN customer-service@amphenol-airlb.fr
FRANCE www.amphenol-airlb.fr

Amphenol Air LB
Your Satisfaction. Everyday. Everywhere.

PRESENTATION

The main purpose of these connectors is to transmit data.

VERY HIGH SPEED

They are suitable for use in harsh environments in and out of the atmosphere.

Due to their small size, they can be installed in all types of satellites:

SPACE SAVING

- geostationary satellites
- mini satellites
- micro satellites
- nano satellites

but also on launchers or any other space vehicle.

They are also suited for a military use and can be mounted in fighter jets, helicopters...

This connector can be fitted with 24 or 48 MT ferrule versions.

The correct mating of this connector and fixing on structure are ensured by a screw fixing.



APPLICATIONS IN HARSH ENVIRONMENTS

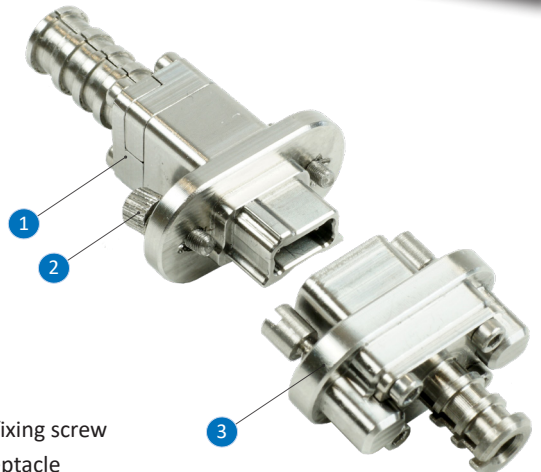
Space and Defence multimode.
MT expanded beam and singlemode compatible.

STANDARDS AND QUALIFICATIONS

Micro-VCM according to ECSS-Q-ST-70-02C (outgassing tests)
ECSS basic specification n°226 30 10

REACH AND ROHS

In accordance with the REACH spec.
In accordance with the RoHS spec.



CAPTION

- 1 - Plug
- 2 - M2 fixing screw
- 3 - Receptacle

MAIN TECHNICAL FEATURES

MATERIAL

- Plugs and receptacles bodies : Stainless steel
- Plug backshell : Stainless steel
- Receptacle retaining plate : Stainless steel
- Conductive gasket : Silicone space grade

ENVIRONMENTAL

- Operating temperature : -55° to +125°C permanent

MECHANICAL

- Shocks : Peak 75 g during 11 ms
- Vibrations : Random PSD 2.2 g²/Hz between 100 and 300 Hz, 7,5 min / axis

OPTIC FIBER (to 850 nm)

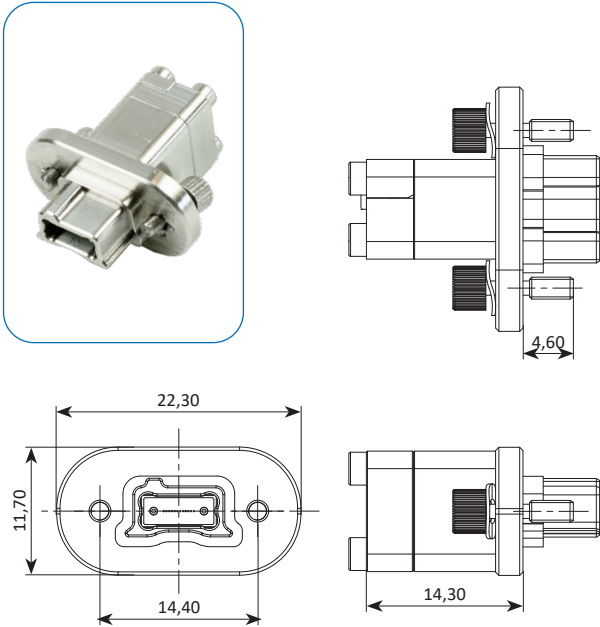
- IL : < 0,5 dB
- RL : > 20 dB

PART NUMBERS & DIMENSIONS

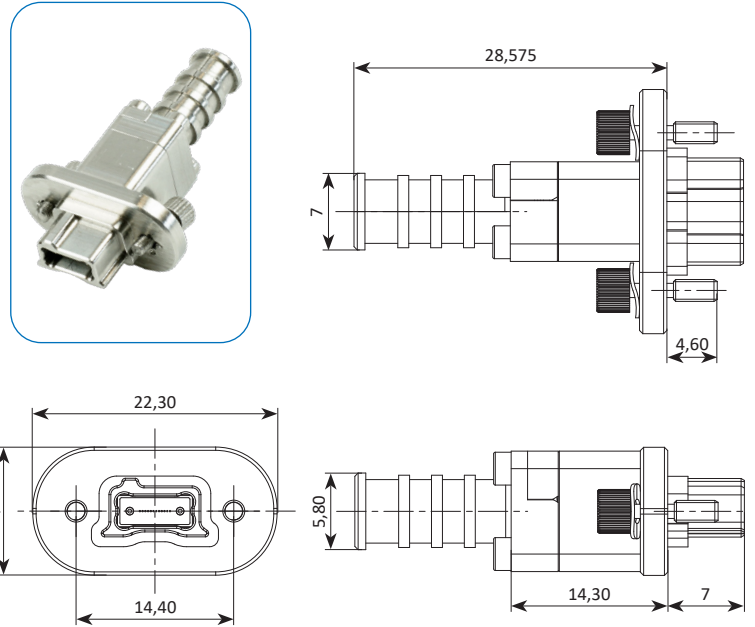
PLUGS

The plug is supplied without the MT ferrule kit.
 The MT ferrule kit is available in 24 or 48 ways. Please contact us.
 There are 3 versions of plug.

Version without «banding feature»

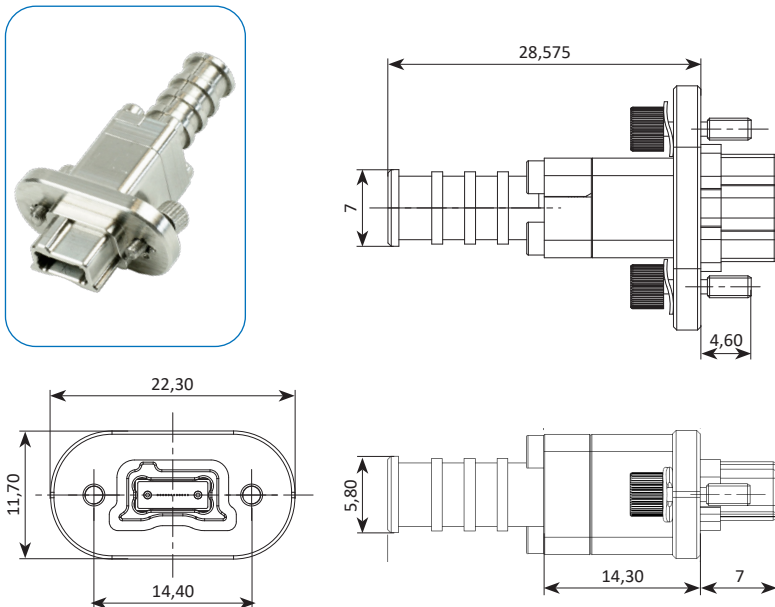


Version with «2 parts banding feature»

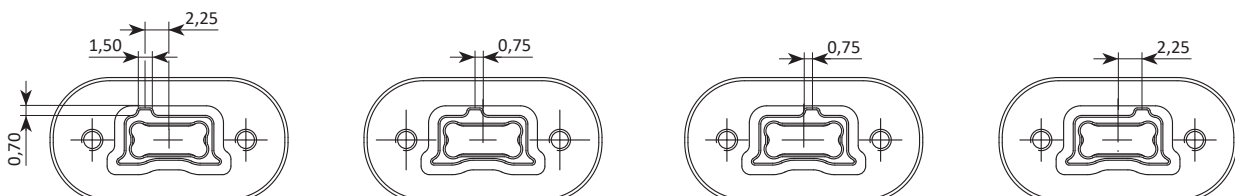


Version with «monoblock banding feature»

To use with 24 ways MT ferrule only.



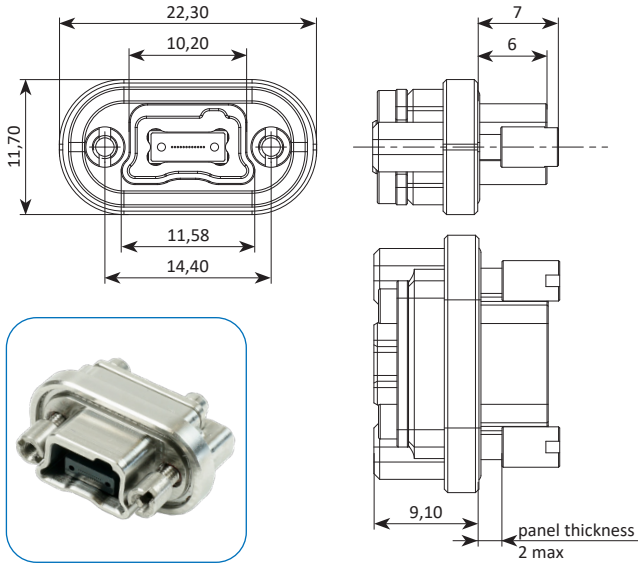
Polarizing



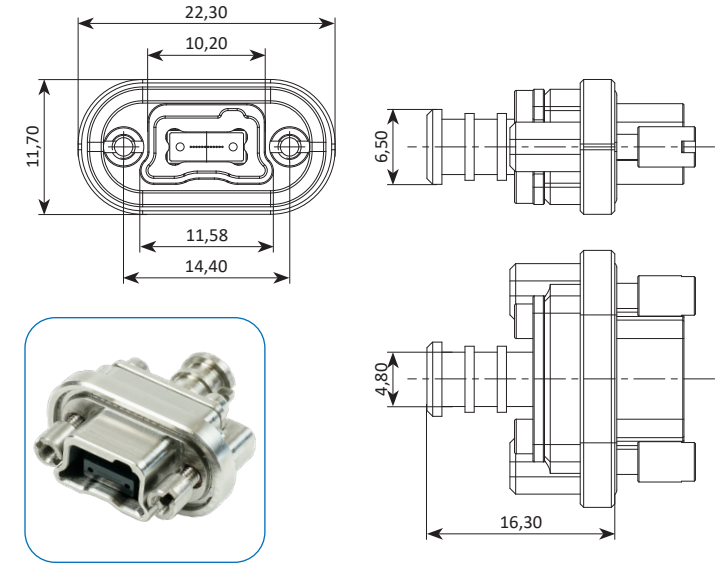
RECEPTACLES

The receptacle is supplied without the MT ferrule kit.
The MT ferrule kit is available in 24 or 48 ways. Please contact us.
There are 2 versions of receptacle.

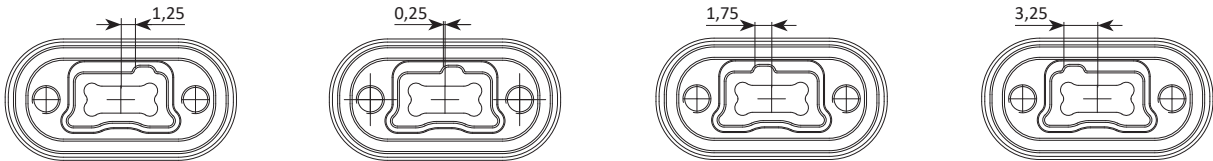
Version without «banding feature»



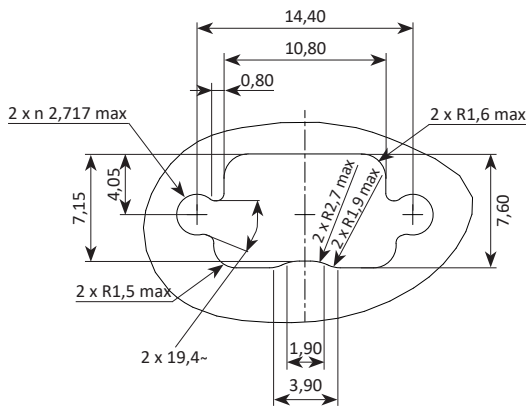
Version with «monoblock banding feature»



Polarizing



Panel cutout



FERRULE MT KIT

	Pin (for plug)	Socket (for receptacle)
MT ferrule kit 24 ways	Please consult us	
MT ferrule kit 48 ways		