

REV. A		SHEET 1 OF 2		DOCUMENT NO. RVPX-J08EXX	
REVISIONS M					
LTR	DESCRIPTION			DATE	
A	INITIAL RELEASE			11-FEB-16	

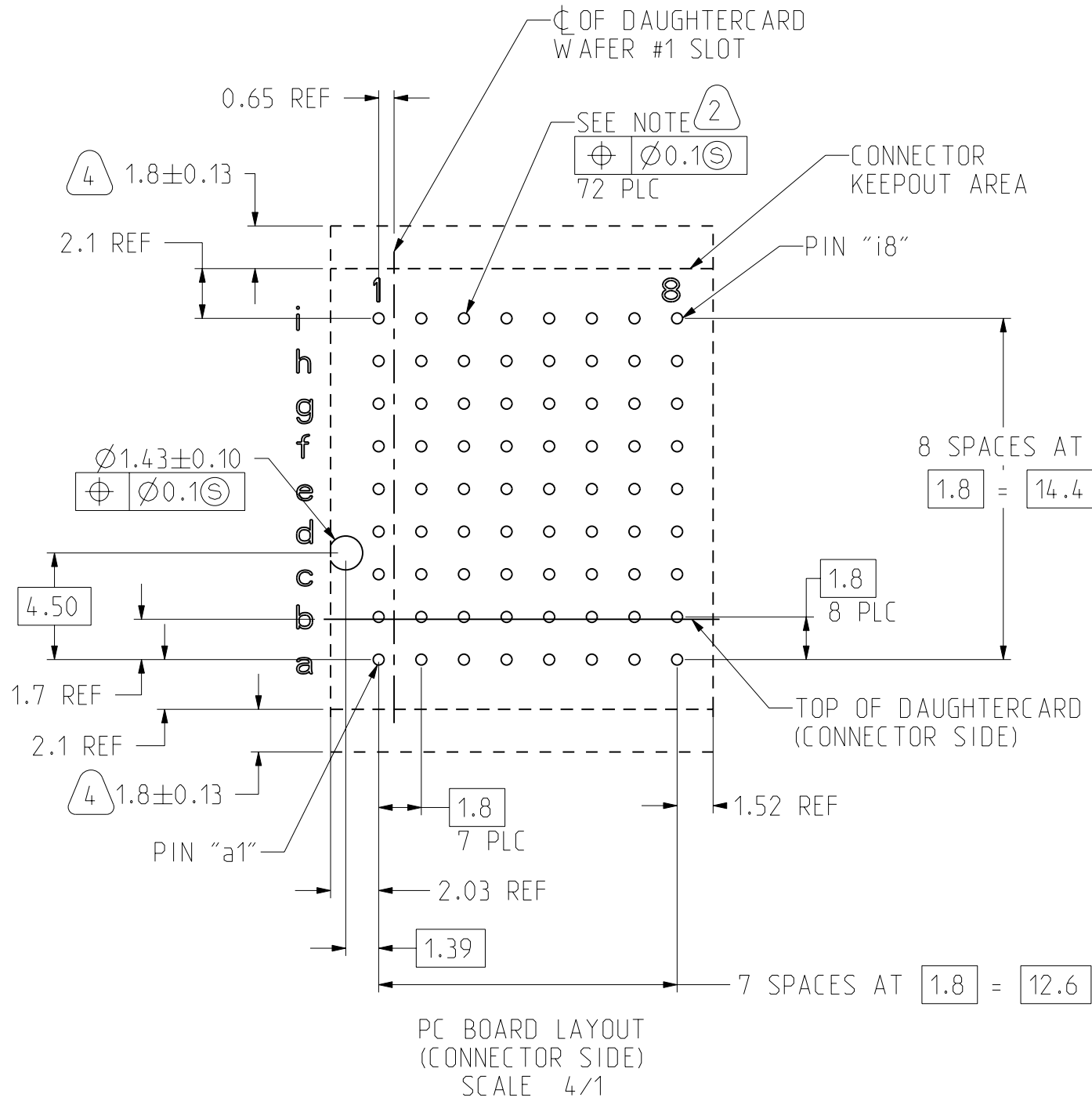
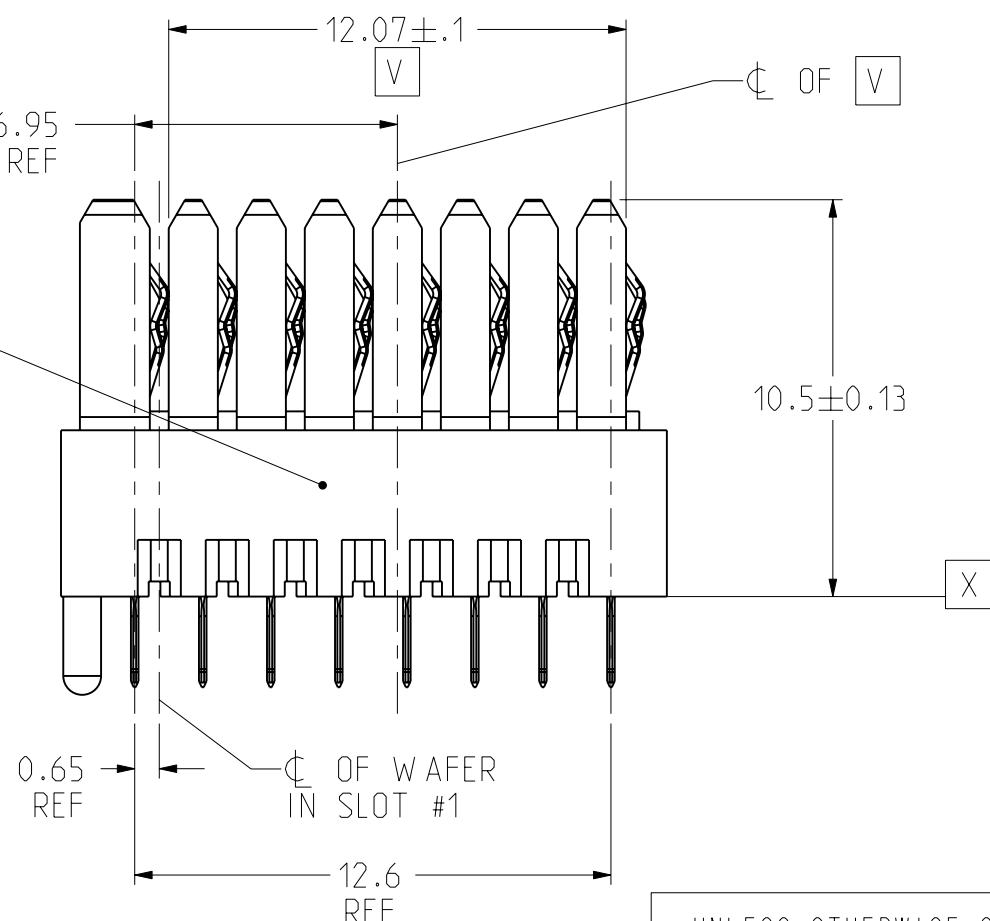
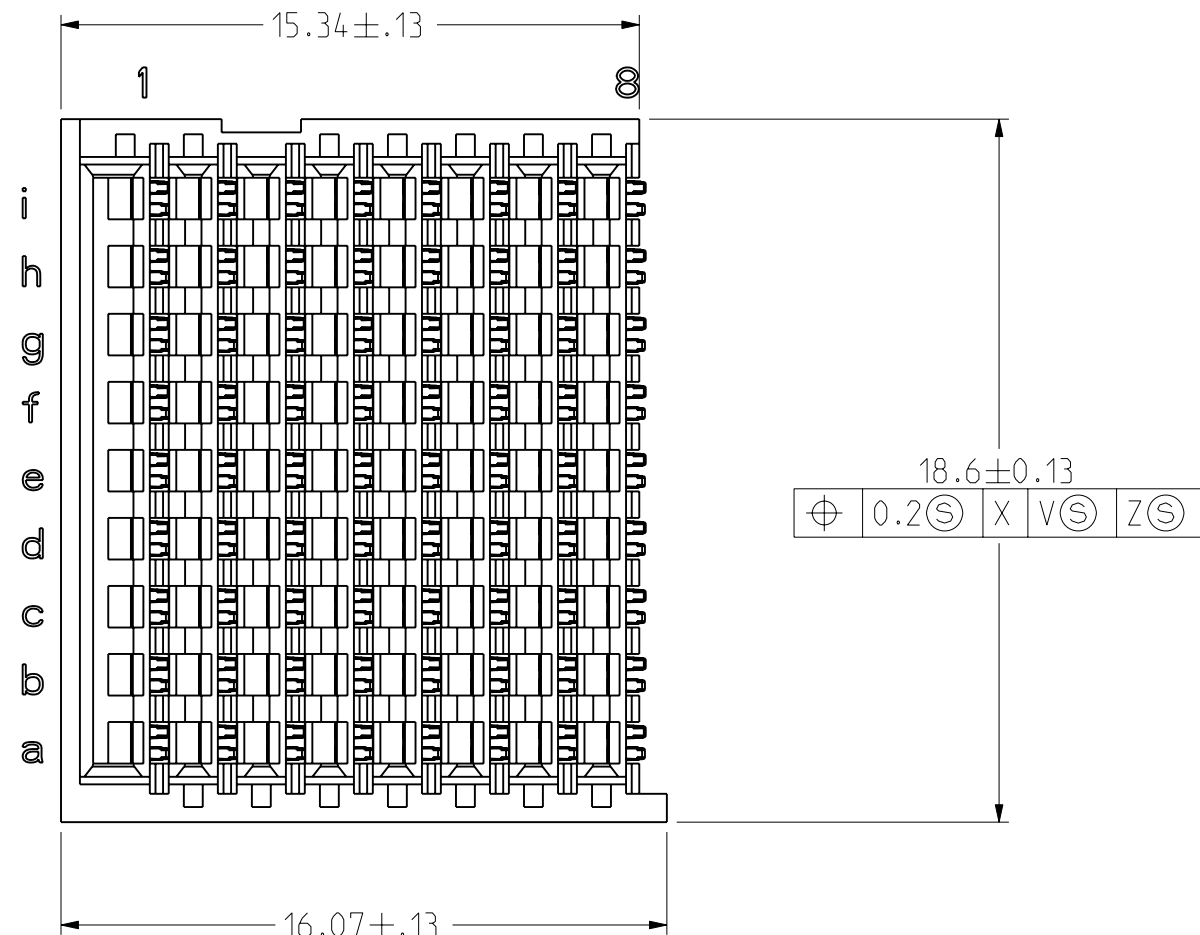
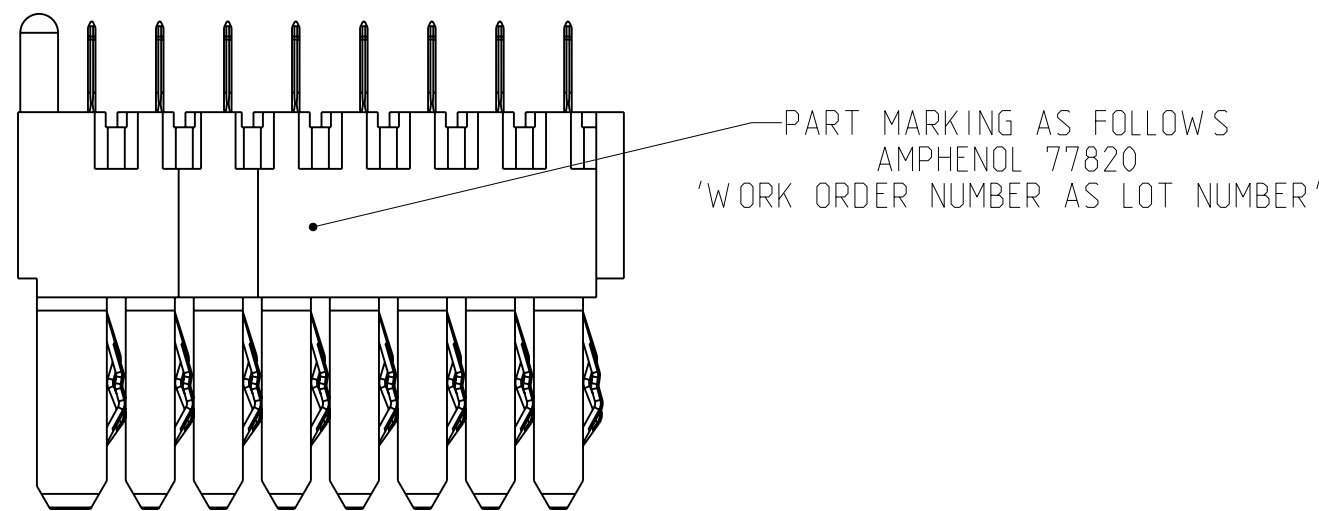
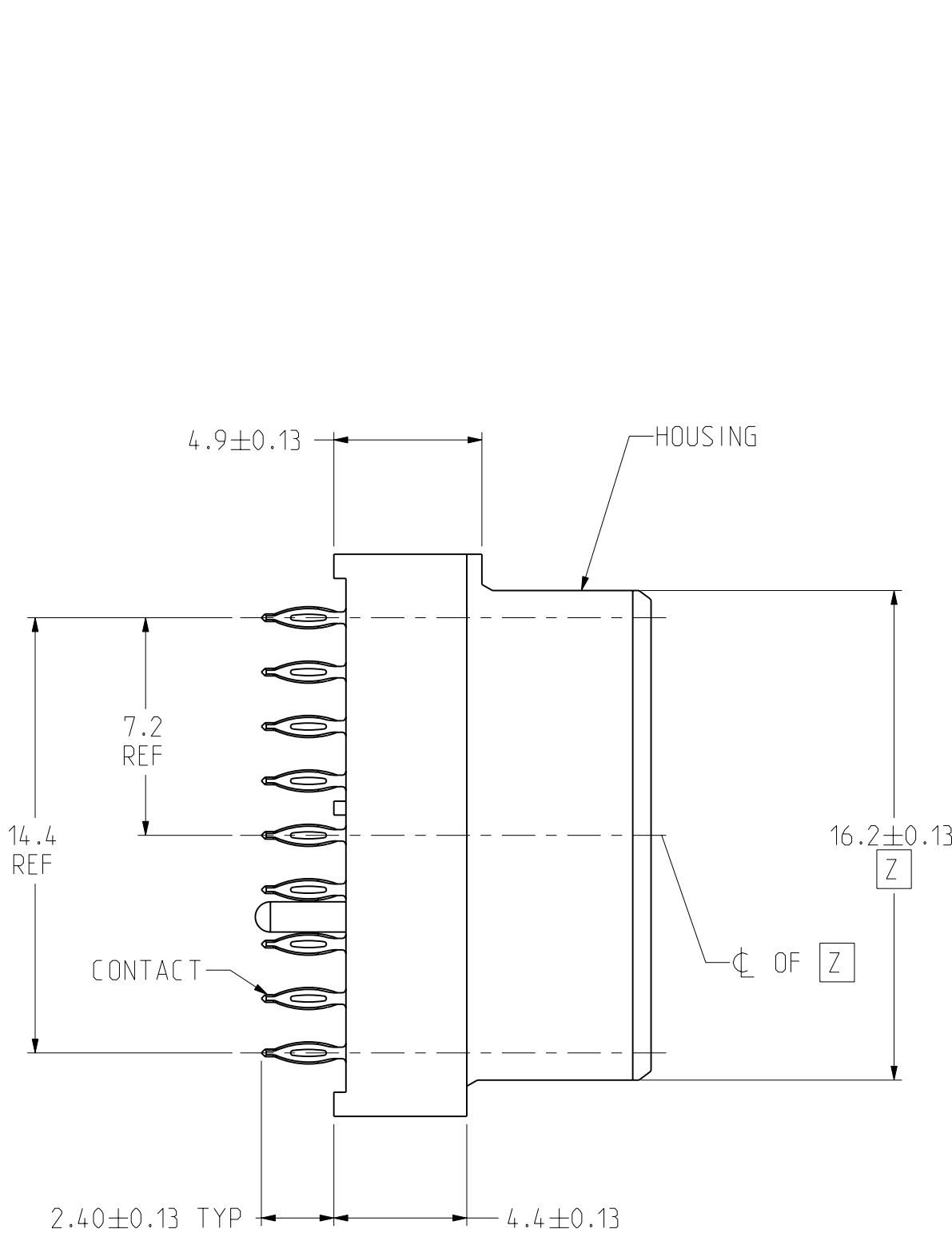


TABLE 1

PLATING THICKNESS AND MATERIAL BY PART NUMBER			
PART NUMBER	GOLD IN CONTACT AREA	COMPLIANT	NICKEL OVERALL
RVPX-J08EM1	50 μ-INCH MIN	50 μ-INCH MIN TIN	50 μ-INCH MIN
RVPX-J08EM2	50 μ-INCH MIN	50 μ-INCH MIN TIN-LEAD	50 μ-INCH MIN
RVPX-J08EC1	30 μ-INCH MIN	50 μ-INCH MIN TIN	50 μ-INCH MIN
RVPX-J08EC2	30 μ-INCH MIN	50 μ-INCH MIN TIN-LEAD	50 μ-INCH MIN

- 4 ADDITIONAL CONNECTOR-SIDE KEEPOUT AREA REQUIRED IF CONNECTOR-SIDE EXTRACTION TOOL IS TO BE USED.
- 3 SEE TABLE 1 FOR PART NUMBER AND FINISHES
- 2 PTH CALLOUT TYPICAL HOLE  
 Ø0.63-.67 DRILL  
 Ø0.56 ±.05 FINISH HOLE  
 Ø1.02 PAD

NOTES: 1 HOUSING: GLASS FILLED LCP, UL94 - V0  
 CONTACT: Cu ALLOY

THE USE OF THIS DOCUMENT IS UNLIMITED. HOWEVER, DOCUMENTS REFERENCED HEREON MAY CONTAIN LIMITED RIGHTS DATA.

N/A	PRO/ENGINEER INFORMATION Pro/e Model Used: RVPX-J08EXX.ASSEM Drawing Name: RVPX-J08EXX
NEXT ASSEMBLY	

UNLESS OTHERWISE SPECIFIED	SPECIFICATIONS
LINEAR DIMENSIONS ARE IN MILLIMETERS TOLERANCES: .XXXX = ±            ANGLES= ±2° .XXX = ± .XX = ±.1 .X = ±.13	MATERIAL SPEC. N/A
DIM. & TOL. PER ASME Y14.5M; DRM PER MIL-DTL-31000; OTHER Amphenol Stds. PER 9-3800	PROCESS SPEC. 9-3895 9-3856-5
LEGENDS: =FLAG NOTE CALL OUT REFERENCE ONLY	

POS	QTY	PART NUMBER	DESCRIPTION	NOTE
PARTS LIST				
APPROVALS		DATE	AMPHENOL CORPORATION 40-60 DELAWARE AVENUE SIDNEY, NY, 13858	
PREPARED BY	S. LANGELIER	22-SEP-15	CONNECTOR ASSEMBLY, BACKPLANE VERTICAL RECEPTACLE, 8 POS., LEFT END RVPX	
ENGINEER IN CHARGE	S. LANGELIER			
DESIGN MANAGER	J. PAUL			
DESIGN ACTIVITY GROUP	BOARD LEVEL		SIZE C	CAGE CODE 77820
THIRD ANGLE PROJECTION			DOCUMENT NO. RVPX-J08EXX	REV. A
			SCALE: 5.0	SHEET 1 OF 2

SIZE C	CAGE CODE 77820	DOCUMENT NO. RVPX-J08EXX	REV. A
SCALE: 5.0	REF. NONE	SHEET 1 OF 2	

DOCUMENT NO. RVPX-J08EXX

SHEET 1 OF 2

REV. A

C

B

A

FORMAT: C-0-E-1

D

C

REVISION 5

REV. A

Eng. PDM Information For Reference Only

REV. A

SHEET 1 OF 2

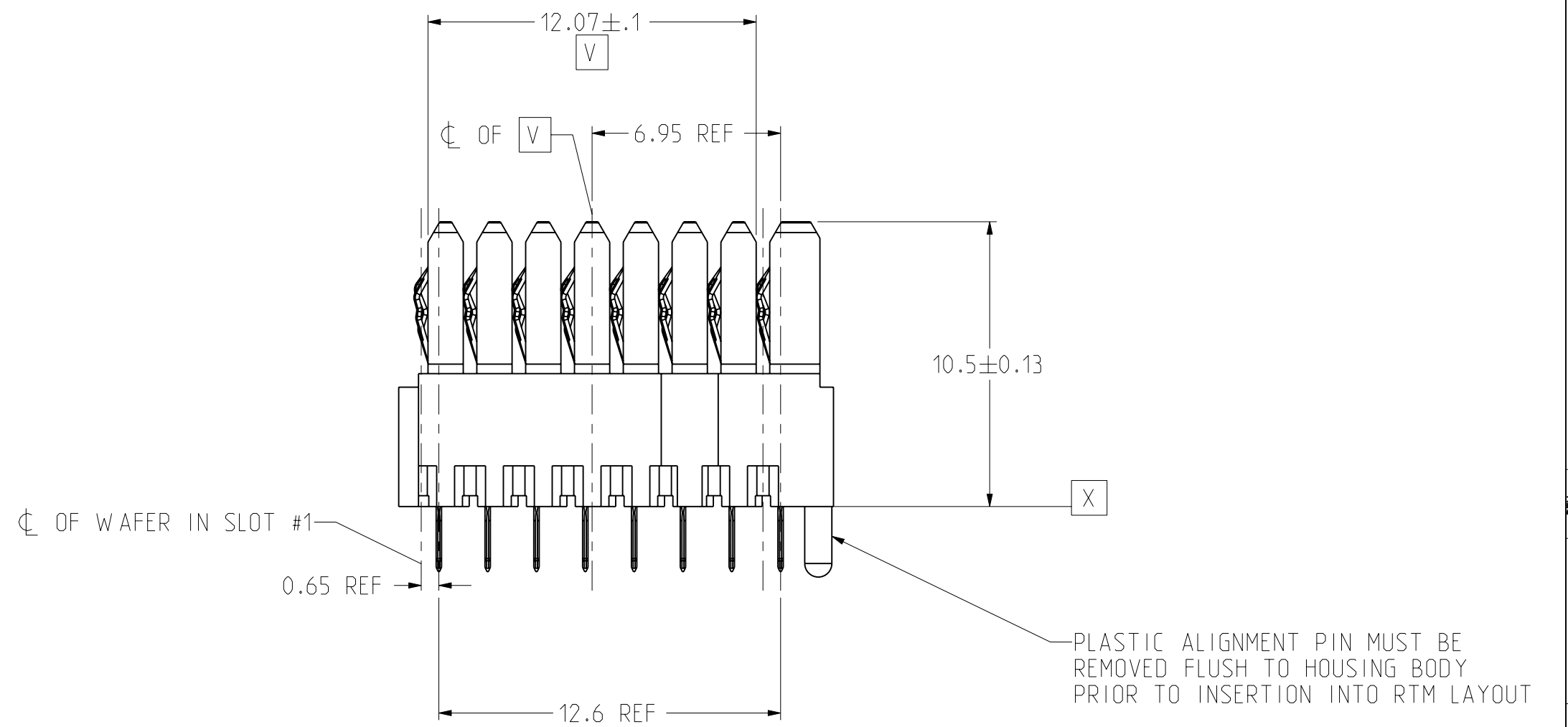
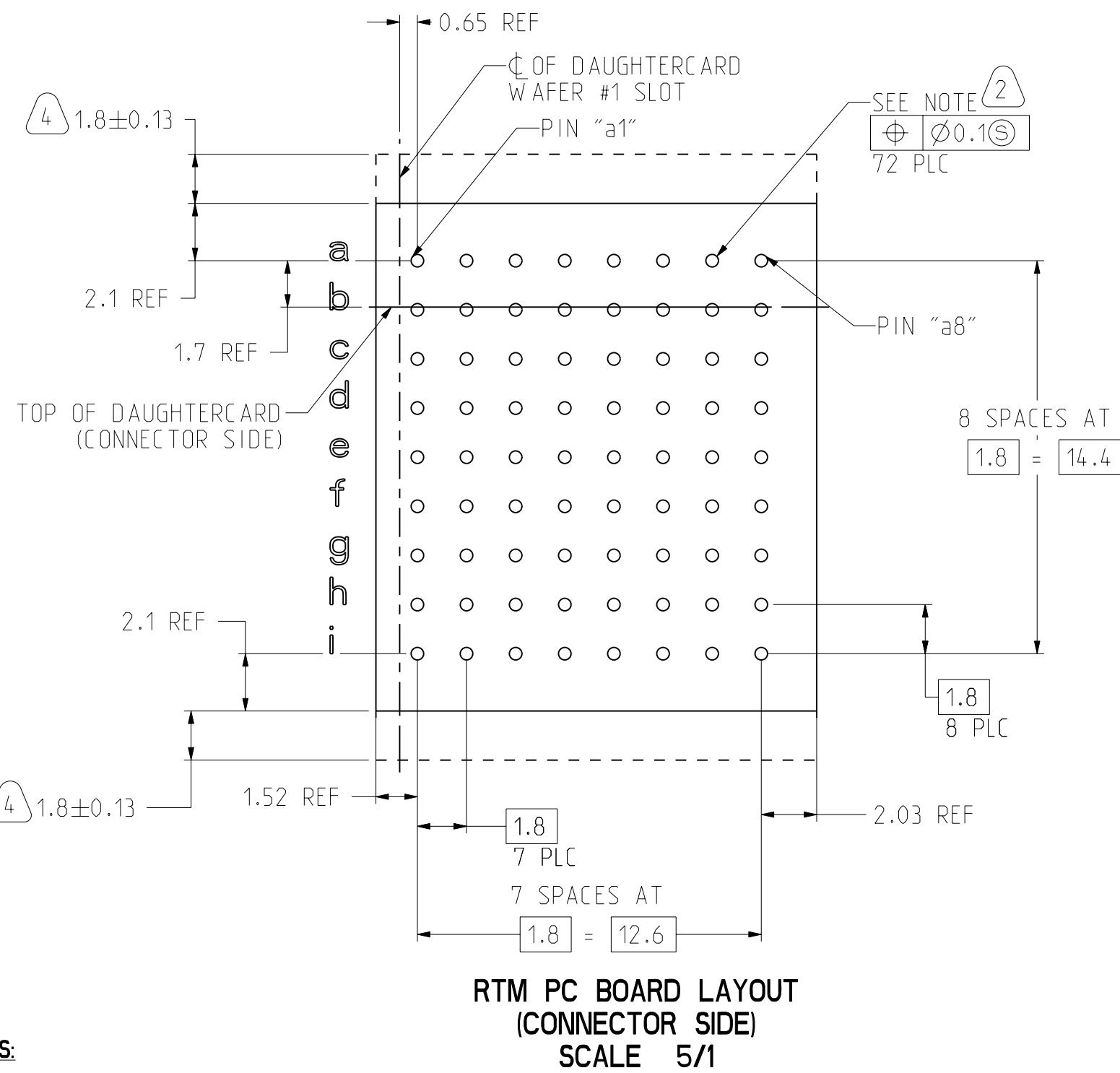
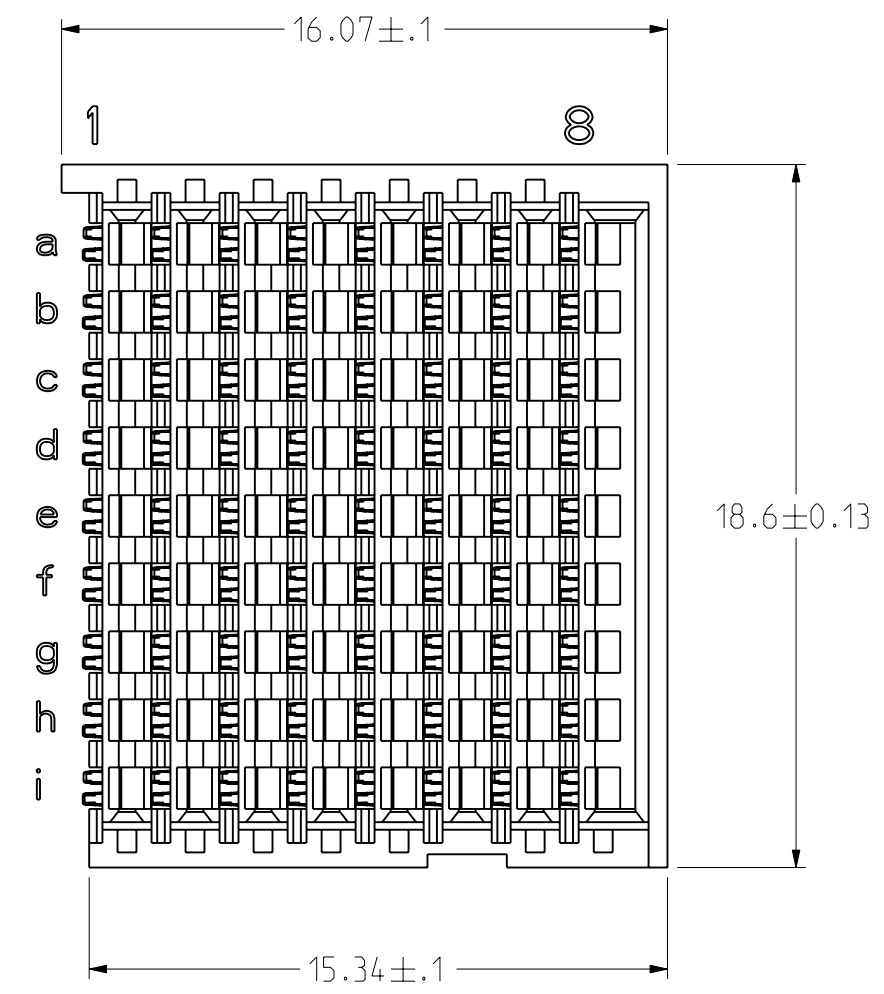
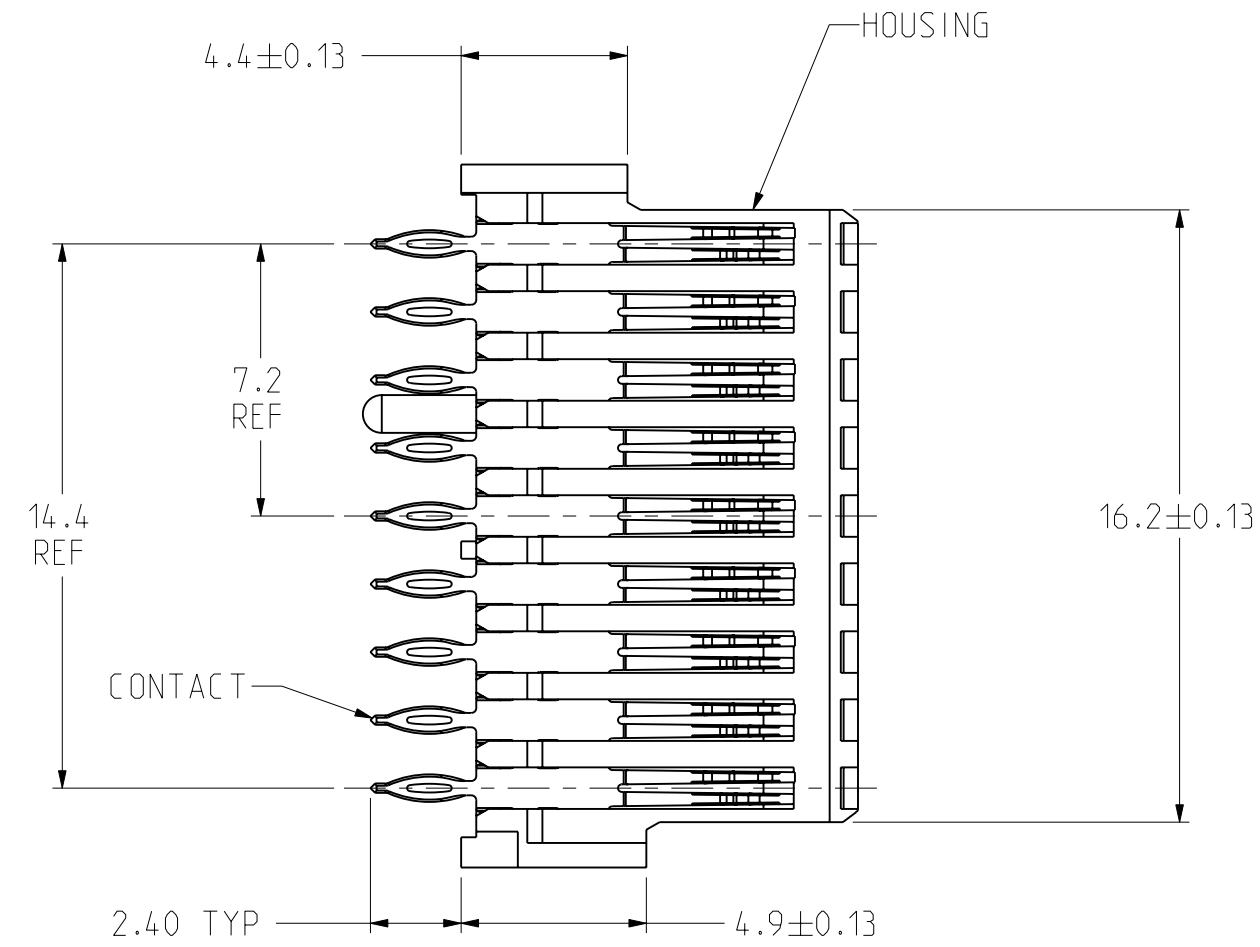
DOCUMENT NO. RVPX-J08EXX

DOCUMENT NO. RVPX-J08EXX

SHEET 2 OF 2

REV. A

### REAR TRANSITION MODULE APPLICATION



**NOTES:**

THE USE OF THIS DOCUMENT IS UNLIMITED. HOWEVER, DOCUMENTS REFERENCED HEREON MAY CONTAIN LIMITED RIGHTS DATA.

**RTM PC BOARD LAYOUT (CONNECTOR SIDE) SCALE 5/1**

SIZE <b>C</b>	CAGE CODE <b>77820</b>	DOCUMENT NO. <b>RVPX-J08EXX</b>	REV. <b>A</b>
SCALE: 5.0		REF: NONE	SHEET 2 OF 2