

REV. A		SHEET 1 OF 2		RVPX-J16EXX	
REVISIONS					
LTR	DESCRIPTION			DATE	
A	INITIAL RELEASE			11-FEB-16	

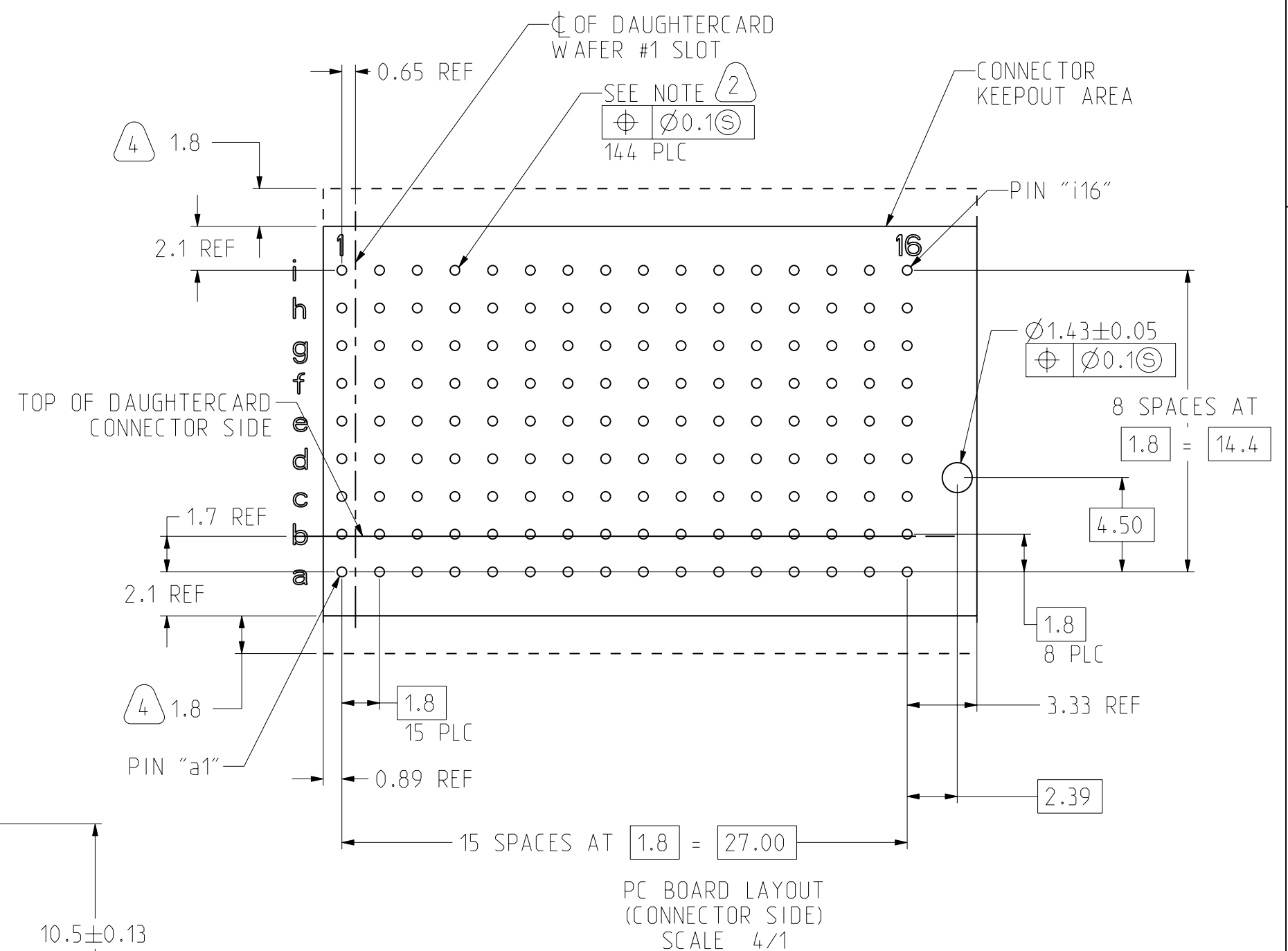
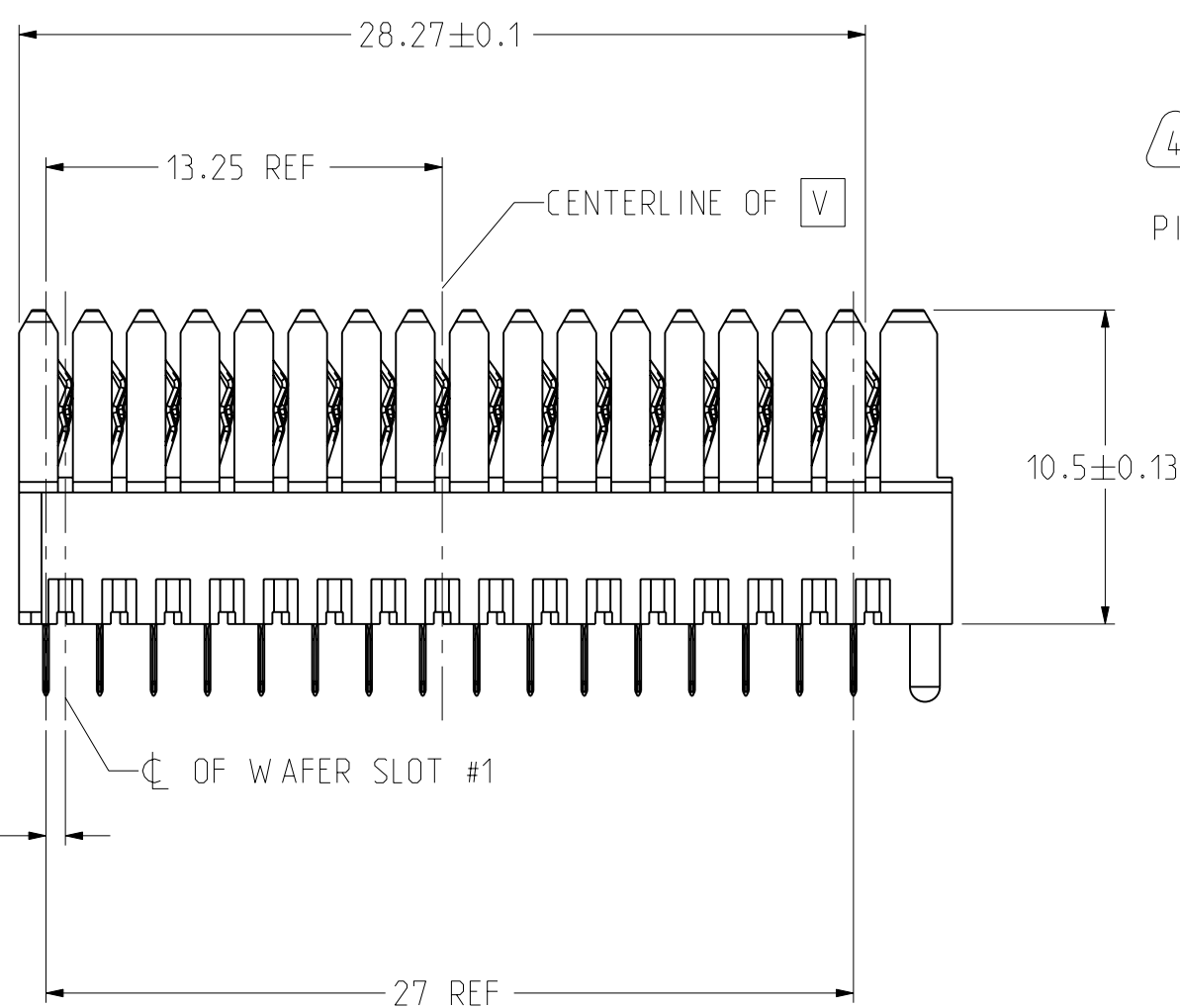
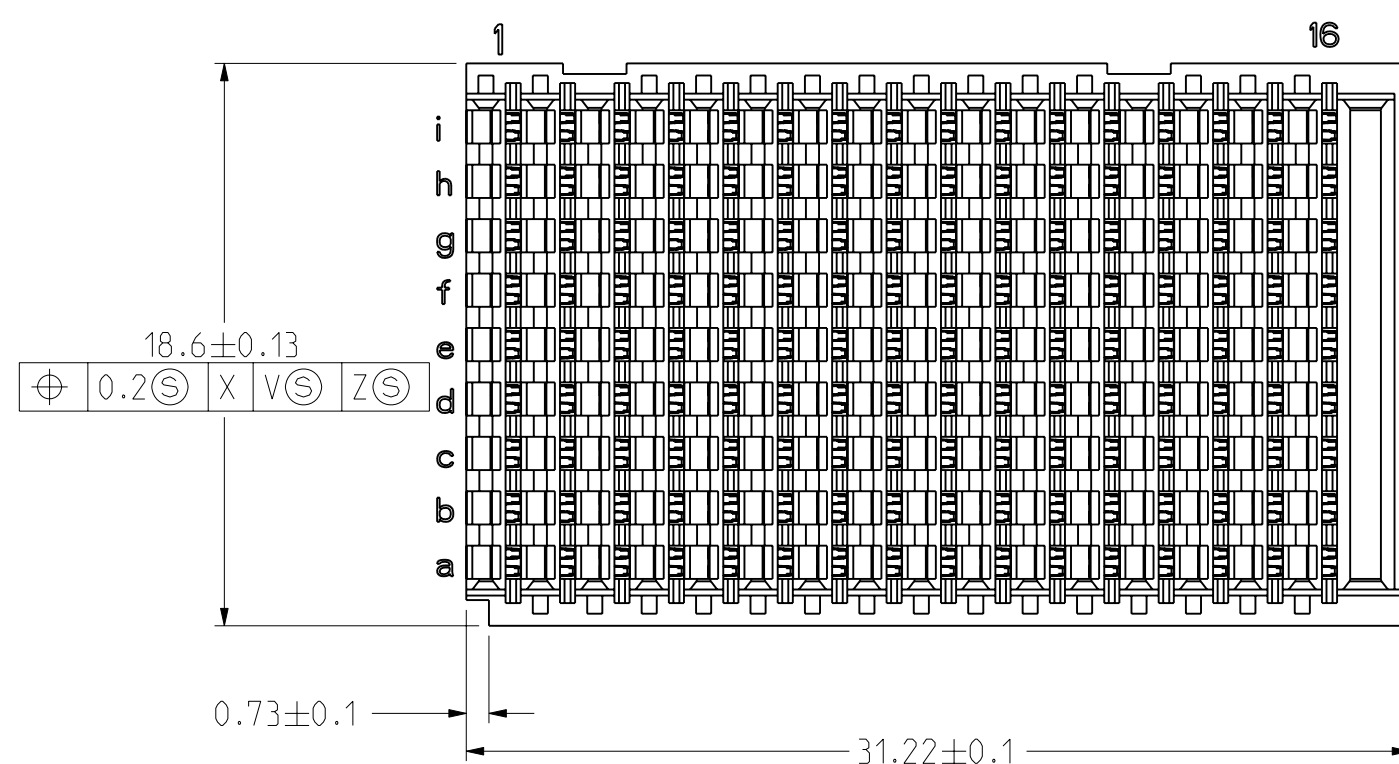
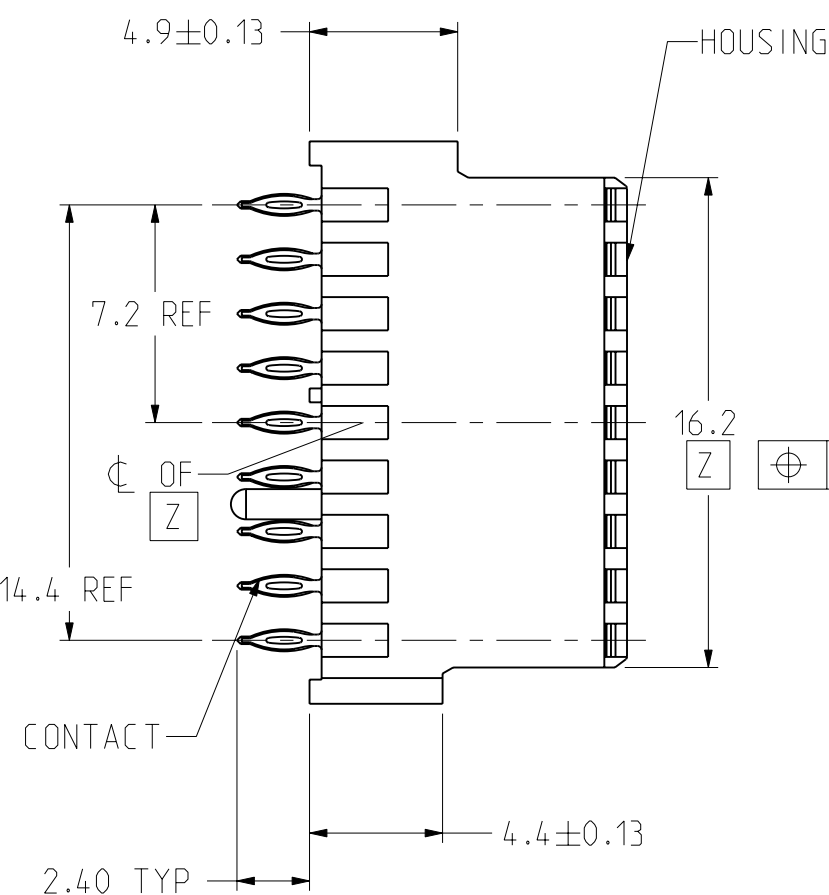


TABLE 1

PLATING THICKNESS AND MATERIAL BY PART NUMBER			
PART NUMBER	GOLD IN CONTACT AREA	COMPLIANT	NICKEL OVERALL
RVPX-J16EM1	50 μ-INCH MIN	50 μ-INCH MIN TIN	50 μ-INCH MIN
RVPX-J16EM2	50 μ-INCH MIN	50 μ-INCH MIN TIN-LEAD	50 μ-INCH MIN
RVPX-J16EC1	30 μ-INCH MIN	50 μ-INCH MIN TIN	50 μ-INCH MIN
RVPX-J16EC2	30 μ-INCH MIN	50 μ-INCH MIN TIN-LEAD	50 μ-INCH MIN

- 4 ADDITIONAL CONNECTOR-SIDE KEEPOUT AREA REQUIRED IF CONNECTOR-SIDE EXTRACTION TOOL IS TO BE USED.
- 3 SEE TABLE 1 FOR PART NUMBER AND FINISHES
- 2 PTH CALLOUT TYPICAL HOLE  
Ø0.63-.67 DRILL  
Ø0.56 ±.05 FINISH HOLE  
Ø1.02 PAD
- 1 HOUSING: GLASS FILLED LCP, UL94 - V0  
CONTACT: Cu ALLOY

THE USE OF THIS DOCUMENT IS UNLIMITED. HOWEVER, DOCUMENTS REFERENCED HEREON MAY CONTAIN LIMITED RIGHTS DATA.

DOCUMENT NO. RVPX-J16EXX SHEET 1 OF 2 REV. A

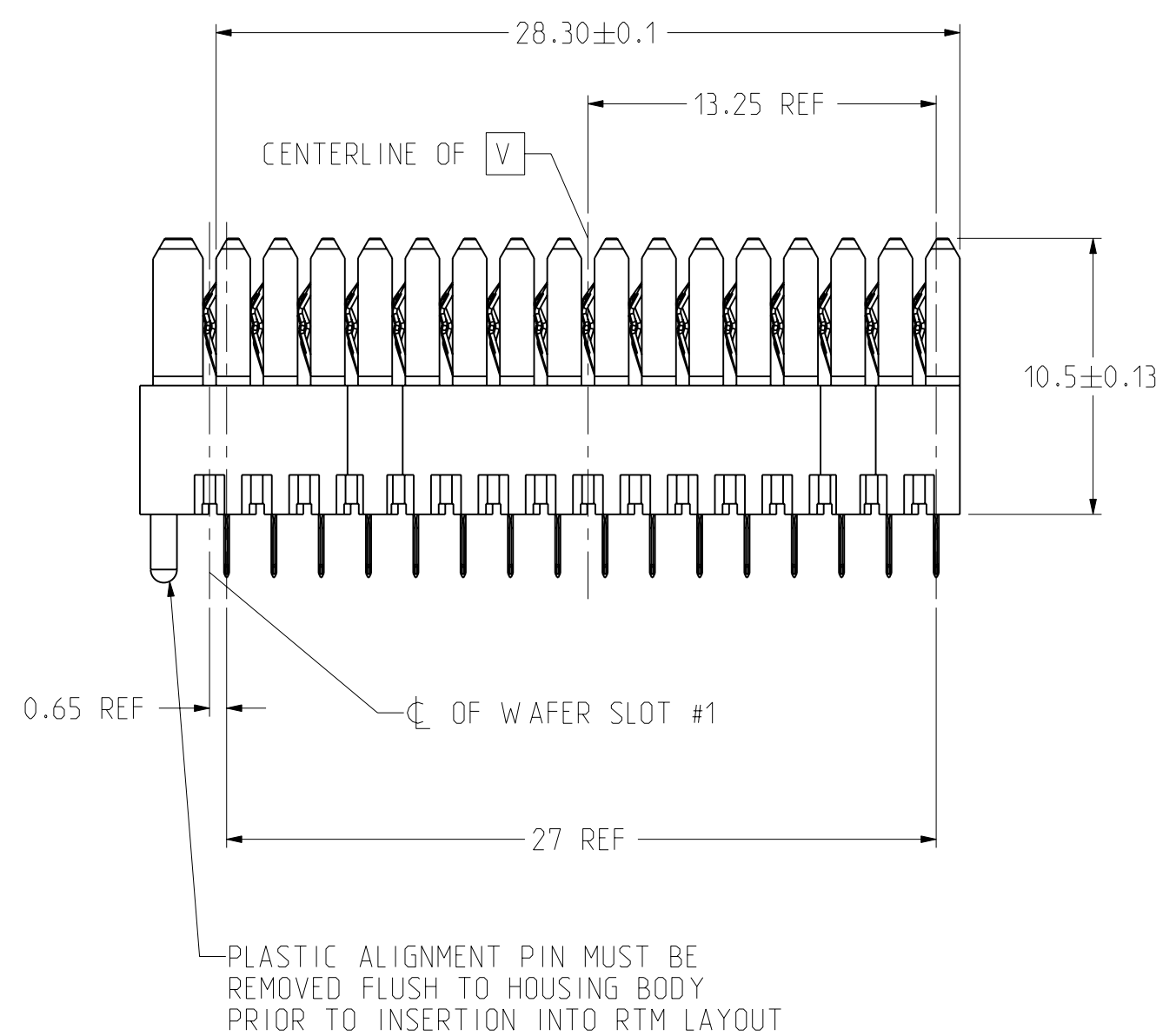
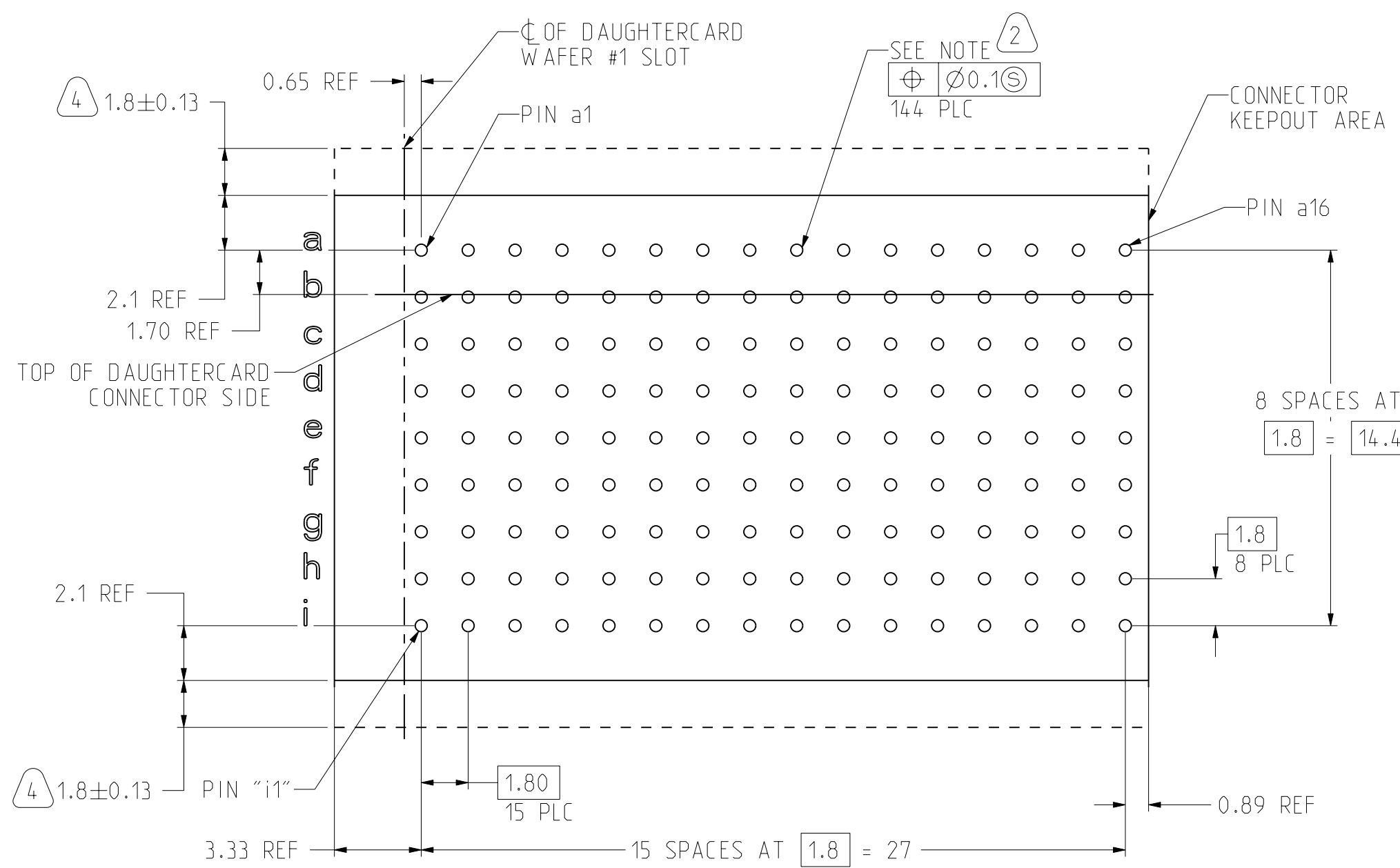
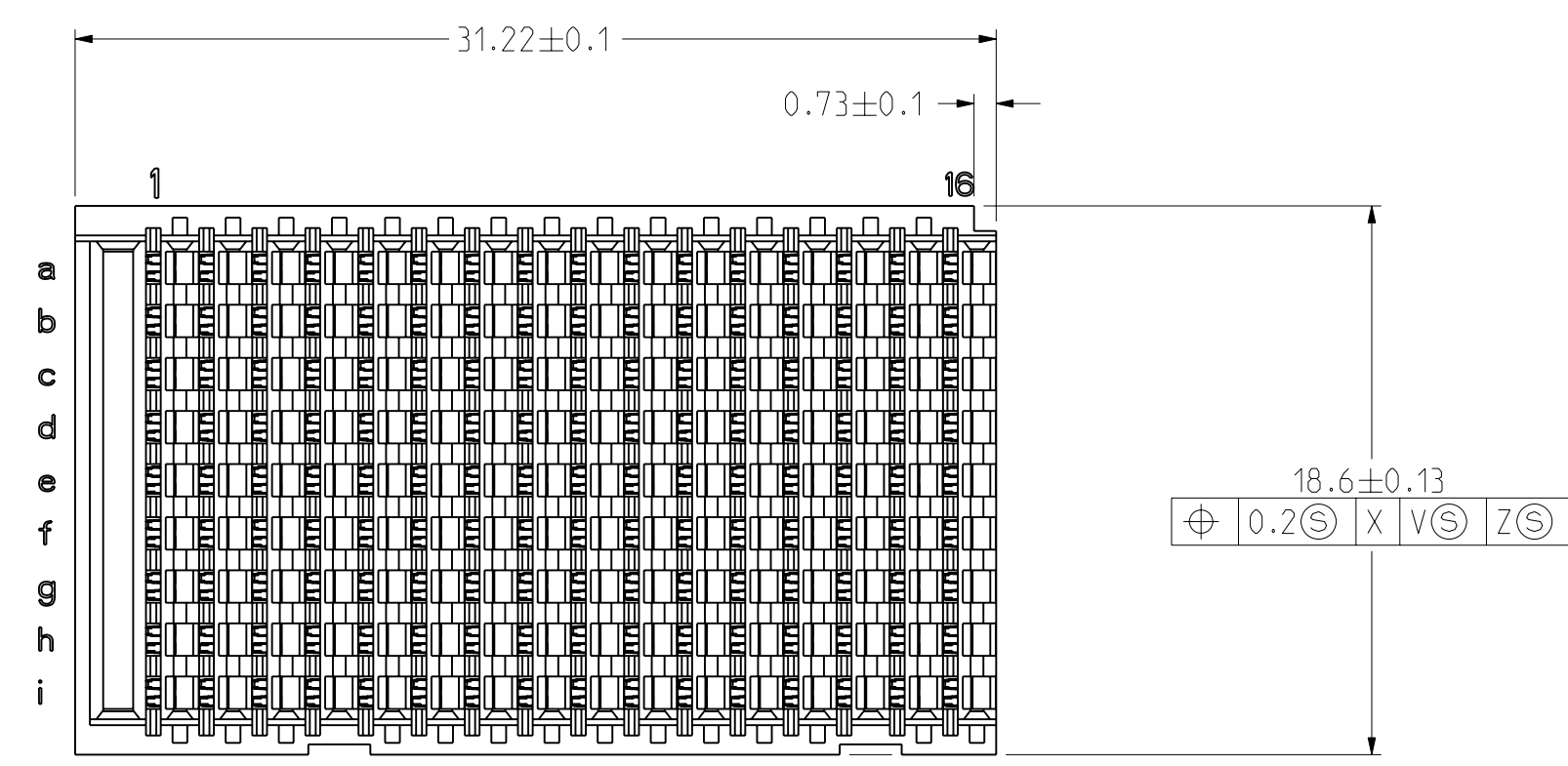
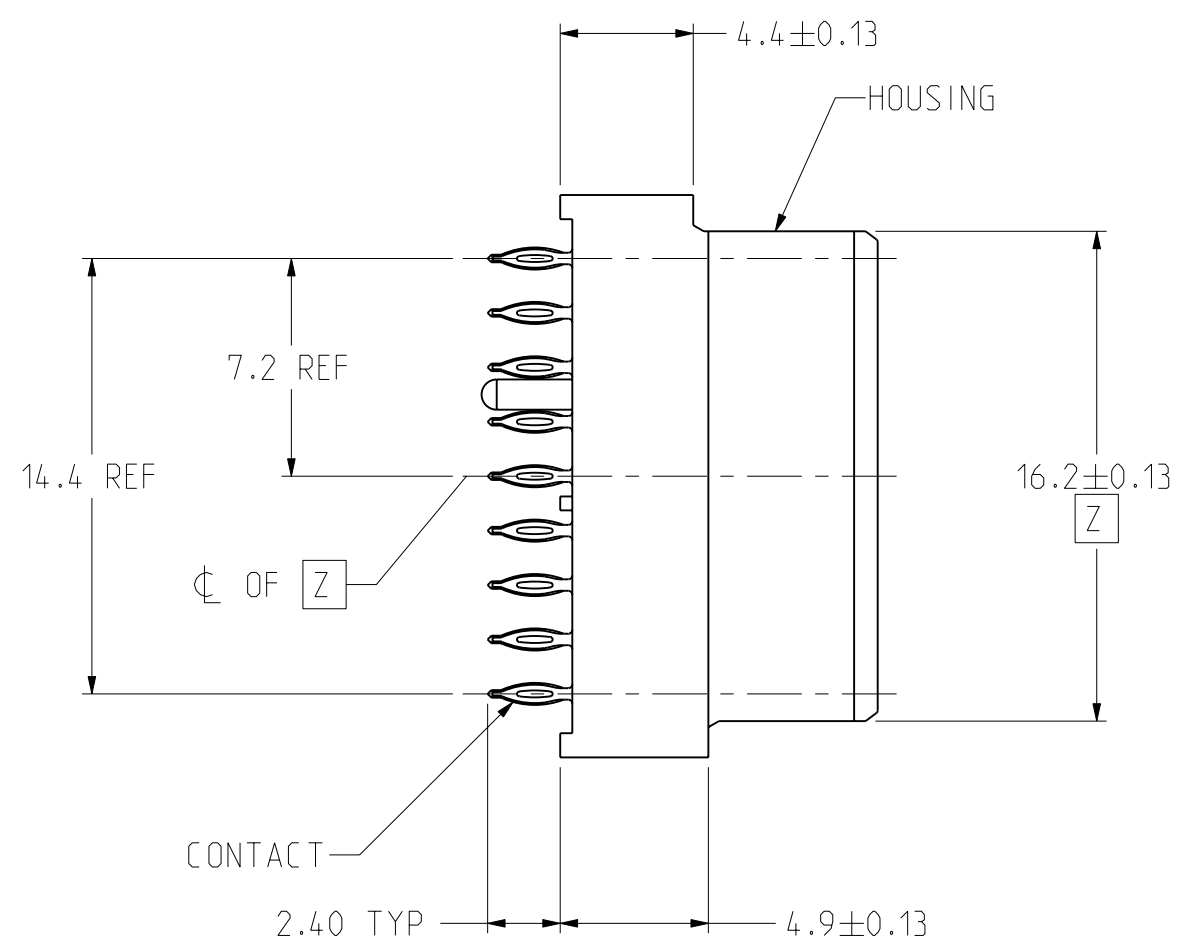
N/A	PRO/ENGINEER INFORMATION Pro/e Model Used: RVPX-J16EXX.PART Drawing Name: RVPX-J16EXX
NEXT ASSEMBLY	

UNLESS OTHERWISE SPECIFIED LINEAR DIMENSIONS ARE IN MILLIMETERS TOLERANCES: .XXXX = ±. - ANGLES= ±1° .XXX = ±. - .XX = ±.13 .X = ±.5 DIM. & TOL. PER ASME Y14.5M; DRM PER MIL-DTL-31000; OTHER Amphenol Stds. PER 9-3800 LEGENDS: =FLAG NOTE CALL OUT REFERENCE ONLY	SPECIFICATIONS MATERIAL SPEC. N/A PROCESS SPEC. 9-3895 9-3856-5	POS	QTY	PART NUMBER	DESCRIPTION	NOTE
		PARTS LIST				
APPROVALS		DATE		AMPHENOL CORPORATION 40-60 DELAWARE AVENUE SIDNEY, N.Y. 13858		
PREPARED BY S. LANGELIER		22-SEP-15		CONNECTOR ASSEMBLY, BACKPLANE VERTICAL RECEPTACLE, 16 POS., RIGHT END RVPX		
ENGINEER IN CHARGE S. LANGELIER				SIZE C CAGE CODE 77820 DOCUMENT NO. RVPX-J16EXX REV. A		
DESIGN MANAGER J. PAUL				SCALE: 4.0 REF. SHEET 1 OF 2		
DESIGN ACTIVITY GROUP BOARD LEVEL						
THIRD ANGLE PROJECTION						

RVPX-J16EXX SHEET 1 OF 2 REV. A

RVPX-J16EXX SHEET 1 OF 2 REV. A

# REAR TRANSITION MODULE APPLICATION



RTM PC BOARD LAYOUT  
(CONNECTOR SIDE)  
SCALE 5/1

**NOTES:**  
THE USE OF THIS DOCUMENT IS UNLIMITED. HOWEVER, DOCUMENTS REFERENCED HEREON MAY CONTAIN LIMITED RIGHTS DATA.

DOCUMENT NO. RVPX-J16EXX SHEET 2 OF 2 REV. A

REVISION A SHEET 2 OF 2 REV. A

SIZE <b>C</b>	CAGE CODE <b>77820</b>	DOCUMENT NO. <b>RVPX-J16EXX</b>	REV. <b>A</b>
SCALE: 4.0		REF:	SHEET 2 OF 2