

|             |                 |                          |
|-------------|-----------------|--------------------------|
| REV. A      | SHEET 1 OF 2    | DOCUMENT NO. RVPX-P08VXX |
| REVISIONS M |                 |                          |
| LTR         | DESCRIPTION     | DATE                     |
| A           | INITIAL RELEASE | 11-FEB-16                |

DOCUMENT NO. RVPX-P08VXX

SHEET 1 OF 2

REV. A

C

B

A

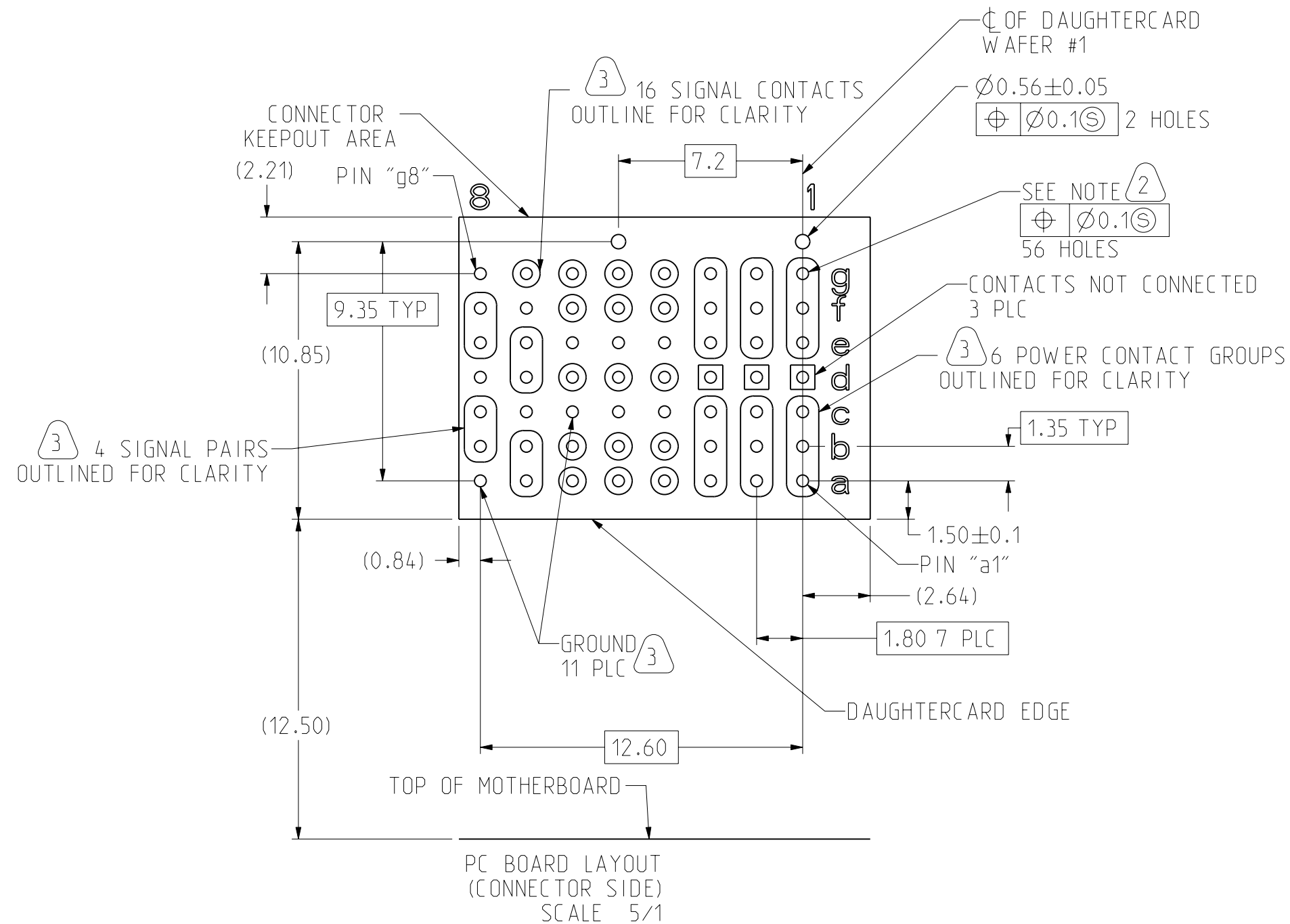
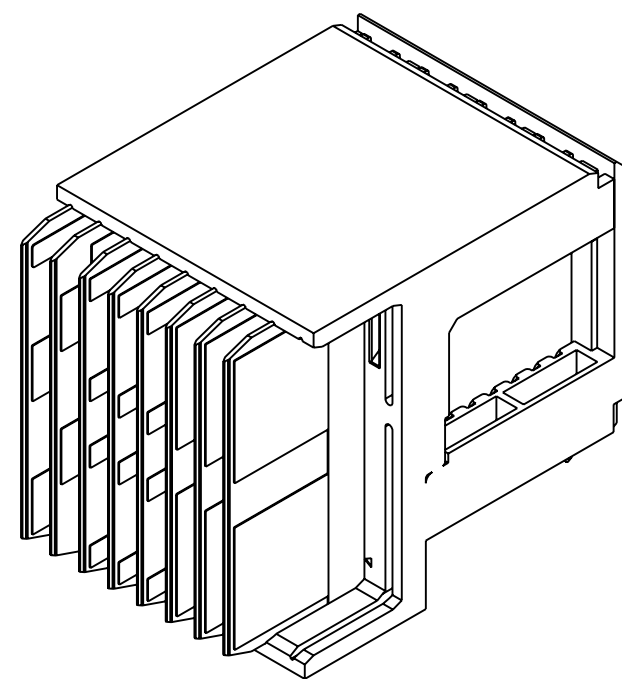


TABLE 1  
INTERCONNECTIONS WITH BACKPLANE  
CONNECTOR RVPX-J08EXX

| TYPICAL INTERCONNECTIONS FOR COLUMN (WAFER): 8 |                            |                         |
|--|----------------------------|-------------------------|
| CONTACT USAGE                                  | DAUGHTERCARD CONNECTOR PIN | BACKPLANE CONNECTOR PIN |
| SIGNAL PAIR                                    | bx                         | cx                      |
| SIGNAL PAIR                                    | cx                         | dx                      |
| SIGNAL PAIR                                    | ex                         | gx                      |
| SIGNAL PAIR                                    | fx                         | hx                      |
| GROUND   | ax, dx, gx, (ALL COMMONED) | ax, bx, ex, fx, ix      |

| TYPICAL INTERCONNECTIONS FOR COLUMN (WAFER): 7 |                            |                         |
|--|----------------------------|-------------------------|
| CONTACT USAGE                                  | DAUGHTERCARD CONNECTOR PIN | BACKPLANE CONNECTOR PIN |
| SIGNAL PAIR                                    | ax                         | ax                      |
| SIGNAL PAIR                                    | bx                         | bx                      |
| SIGNAL PAIR                                    | dx                         | ex                      |
| SIGNAL PAIR                                    | ex                         | fx                      |
| SIGNAL   | gx                         | ix                      |
| GROUND   | cx, fx, (ALL COMMONED)     | cx, dx, gx, hx          |

| TYPICAL INTERCONNECTIONS FOR COLUMN (WAFER): 4, 5, 6 |                            |                         |
|--|----------------------------|-------------------------|
| CONTACT USAGE  | DAUGHTERCARD CONNECTOR PIN | BACKPLANE CONNECTOR PIN |
| SIGNAL   | ax                         | bx                      |
| SIGNAL   | bx                         | cx                      |
| SIGNAL   | dx                         | ex                      |
| SIGNAL   | fx                         | gx                      |
| SIGNAL   | gx                         | hx                      |
| GROUND   | cx, ex, (ALL COMMONED)     | ax, dx, fx, ix          |

| TYPICAL INTERCONNECTIONS FOR COLUMN (WAFER): 1, 2, 3 |                            |                         |
|--|----------------------------|-------------------------|
| CONTACT USAGE  | DAUGHTERCARD CONNECTOR PIN | BACKPLANE CONNECTOR PIN |
| POWER  | ax, bx, cx                 | ax, bx, cx, dx          |
| POWER  | ex, fx, gx                 | fx, gx, hx, ix          |
| NOT CONNECTED  | dx                         | ex                      |

NOTE: "x" DESIGNATES THE COLUMN NUMBER

TABLE 2

| PLATING THICKNESS AND MATERIAL BY PART NUMBER |                      |                        |                |
|---|----------------------|------------------------|----------------|
| PART NUMBER                                   | GOLD IN CONTACT AREA | COMPLIANT              | NICKEL OVERALL |
| RVPX-P08VM1                                   | 50 μ-INCH MIN        | 50 μ-INCH MIN TIN      | 50 μ-INCH MIN  |
| RVPX-P08VM2                                   | 50 μ-INCH MIN        | 50 μ-INCH MIN TIN-LEAD | 50 μ-INCH MIN  |
| RVPX-P08VC1                                   | 50 μ-INCH MIN        | 50 μ-INCH MIN TIN      | 50 μ-INCH MIN  |
| RVPX-P08VC2                                   | 50 μ-INCH MIN        | 50 μ-INCH MIN TIN-LEAD | 50 μ-INCH MIN  |

- 4 SEE TABLE 2 FOR PART NUMBER AND FINISHES
- 3 SEE TABLE 1 FOR INTERCONNECTIONS TO BACKPLANE CONNECTOR
- 2 PTH CALLOUT TYPICAL HOLE  
Ø0.63-.67 DRILL  
Ø0.46 ±.05 FINISH HOLE  
Ø0.92 PAD
- 1 HOUSING: GLASS FILLED LCP, UL94 - V0  
CONTACT: CU ALLOY  
POST: STAINLESS STEEL, PASSIVATED

THE USE OF THIS DOCUMENT IS UNLIMITED. HOWEVER, DOCUMENTS REFERENCED HEREON MAY CONTAIN LIMITED RIGHTS DATA.

N/A  
NEXT ASSEMBLY

PRO/ENGINEER INFORMATION  
Pro/e Model Used:  
P1233-426-0008-001.ATCS-1.PART  
Drawing Name:  
RVPX-P08VXX

UNLESS OTHERWISE SPECIFIED  
SPECIFICATIONS  
POS QTY PART NUMBER DESCRIPTION NOTE

LINEAR DIMENSIONS ARE IN MILLIMETERS  
TOLERANCES:  
.XXXX = ±. - ANGLES= ±1°  
.XXX = ±. -  
.XX = ±.13  
.X = ±.5

DIM. & TOL. PER ASME Y14.5M;  
DRM PER MIL-DTL-31000;  
OTHER Amphenol Stds. PER 9-3800

LEGENDS:  
= FLAG NOTE CALL OUT REFERENCE ONLY

MATERIAL SPEC.  
N/A

PROCESS SPEC.  
9-3895  
9-3856-5

APPROVALS  
PREPARED BY S. LANGELIER  
ENGINEER IN CHARGE S. LANGELIER  
DESIGN MANAGER J. PAUL  
DESIGN ACTIVITY GROUP BOARD LEVEL

DATE 22-SEP-15

THIRD ANGLE PROJECTION

| PARTS LIST |           |              |              |
|------------|-----------|--------------|--------------|
| SIZE       | CAGE CODE | DOCUMENT NO. | REV.         |
| C          | 77820     | RVPX-P08VXX  | A            |
| SCALE: 5.0 |           | REF. NONE    | SHEET 1 OF 2 |

**AMPHENOL CORPORATION**  
40-60 DELAWARE AVENUE  
SIDNEY, N.Y. 13858

**RIGHT-ANGLE PLUG ASSEMBLY  
HALF LEFT END, RVPX  
DAUGHTERCARD CONNECTOR, VITA 46**

REVISION A  
Eng. PDM Information For Reference Only

SHEET 1 OF 2

DOCUMENT NO. RVPX-P08VXX

RVPX-P08VXX

SHEET 2 OF 2

REV. A

D

C

6

A

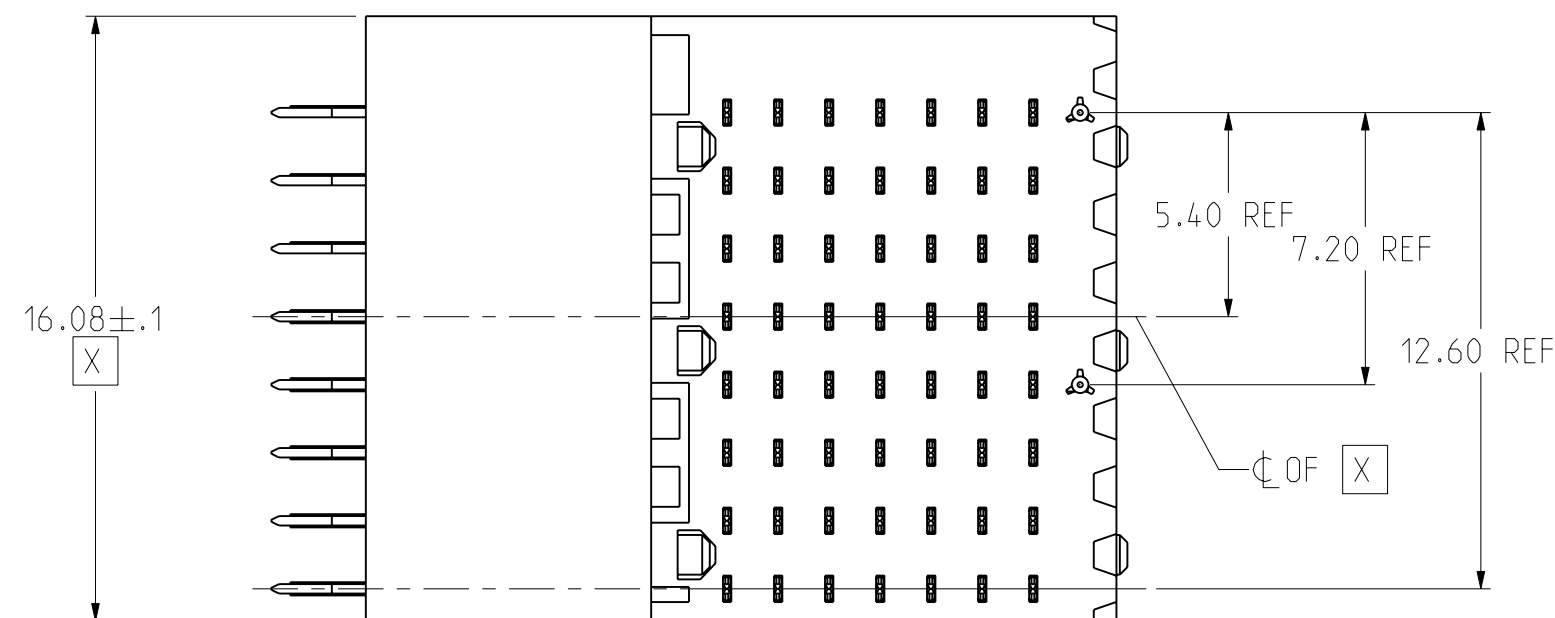
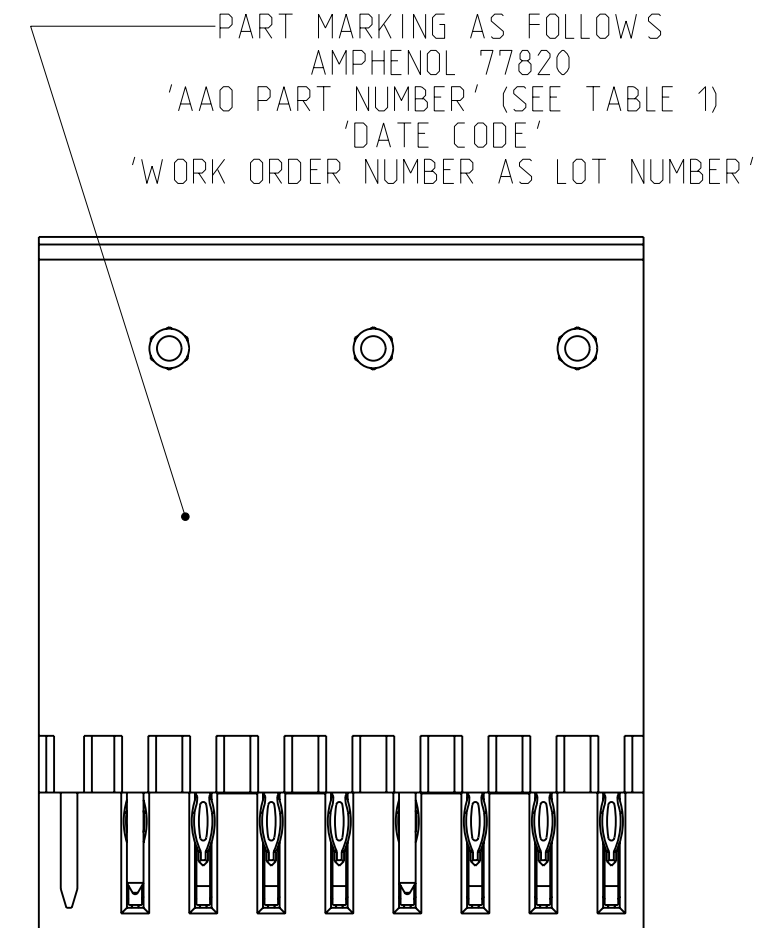
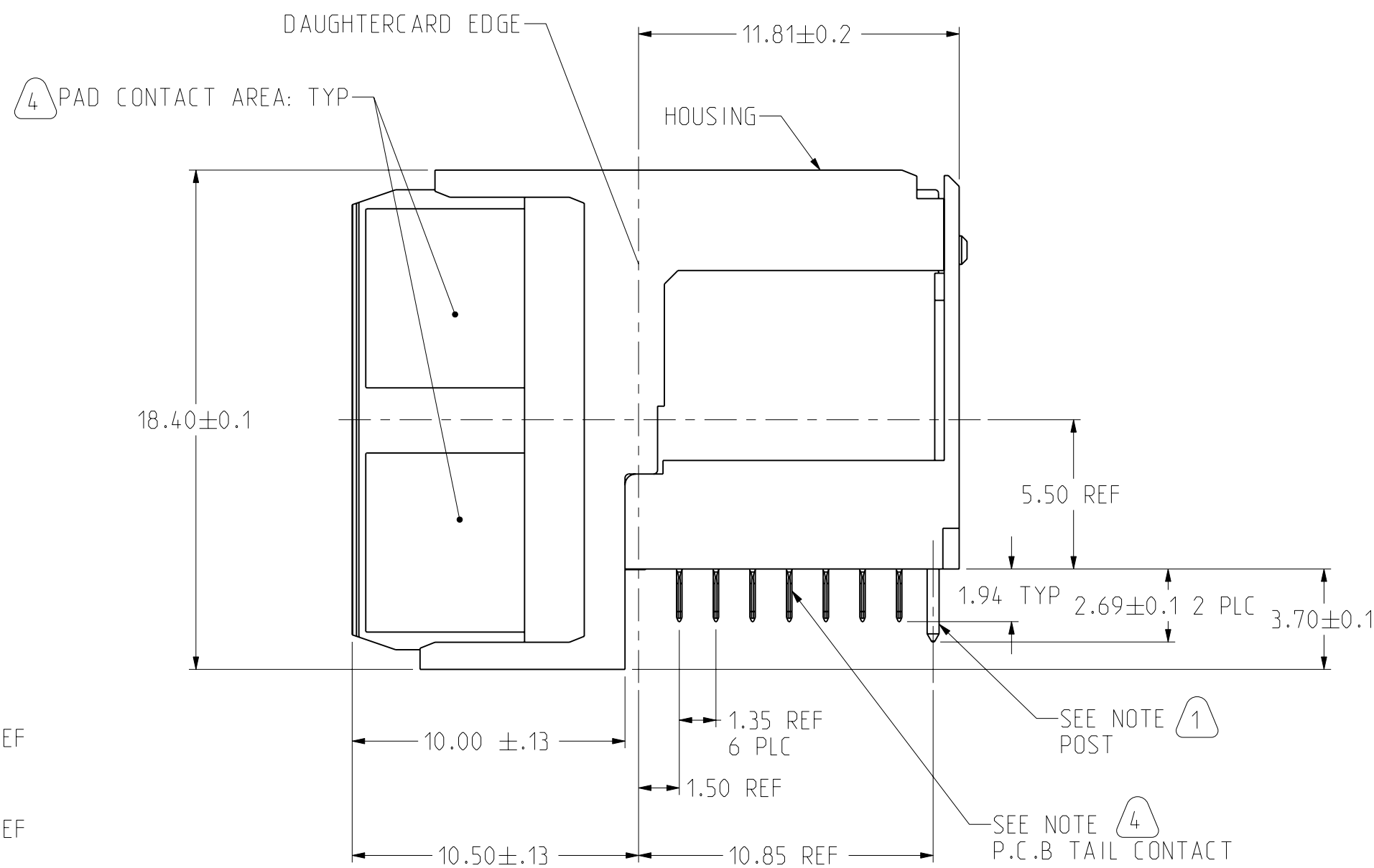
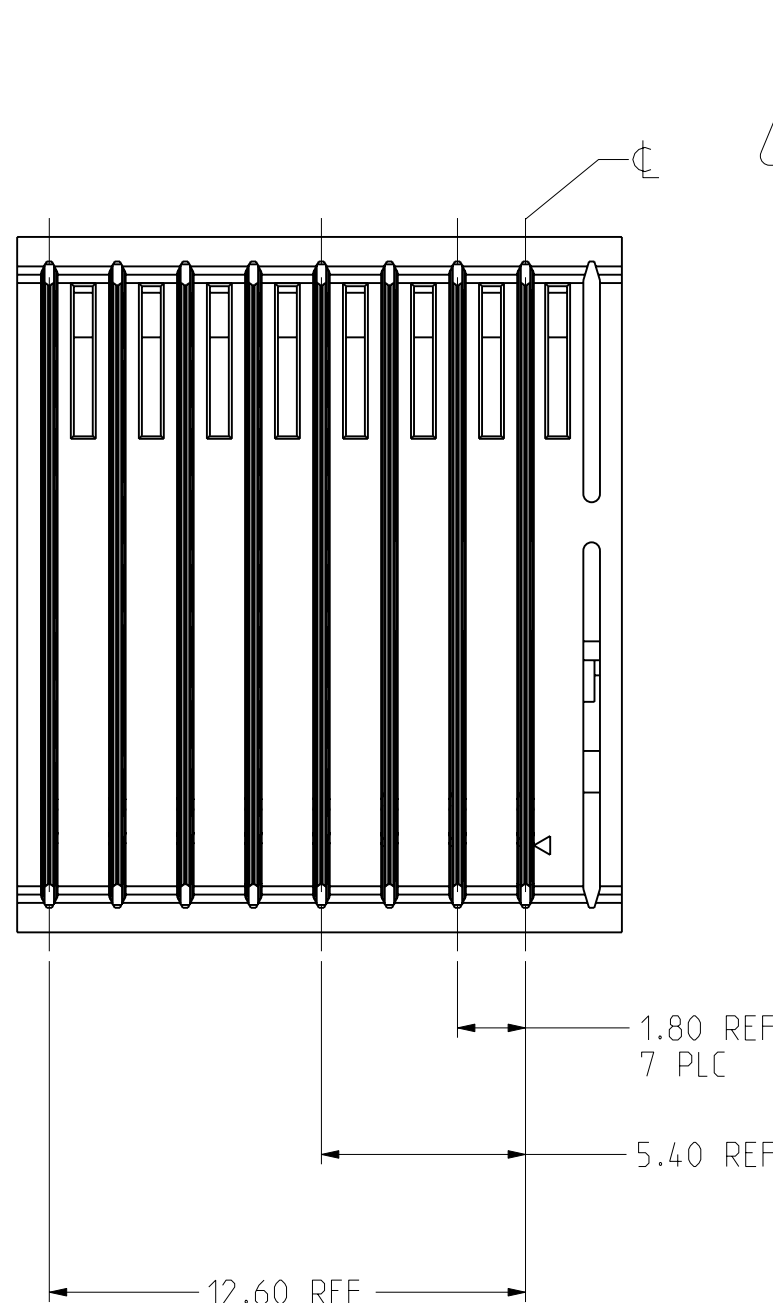
Eng. PDM Information For Reference Only

REV. A

SHEET 2 OF 2

RVPX-P08VXX

REV. A



NOTES: SEE SHEET 1

THE USE OF THIS DOCUMENT IS UNLIMITED. HOWEVER, DOCUMENTS REFERENCED HEREON MAY CONTAIN LIMITED RIGHTS DATA.

FORMAT: C-0-U-E-1

RVPX-P08VXX

SHEET 2 OF 2

REV. A

|                  |                           |                                    |                  |
|------------------|---------------------------|------------------------------------|------------------|
| SIZE<br><b>C</b> | CAGE CODE<br><b>77820</b> | DOCUMENT NO.<br><b>RVPX-P08VXX</b> | REV.<br><b>A</b> |
| SCALE: 5.0       |                           | REF: NONE                          | SHEET 2 OF 2     |