

REV. A		SHEET 1 OF 2		DOCUMENT NO. RVPX-P16DXX	
REVISIONS M					
LTR	DESCRIPTION			DATE	
A	INITIAL RELEASE			11-FEB-16	

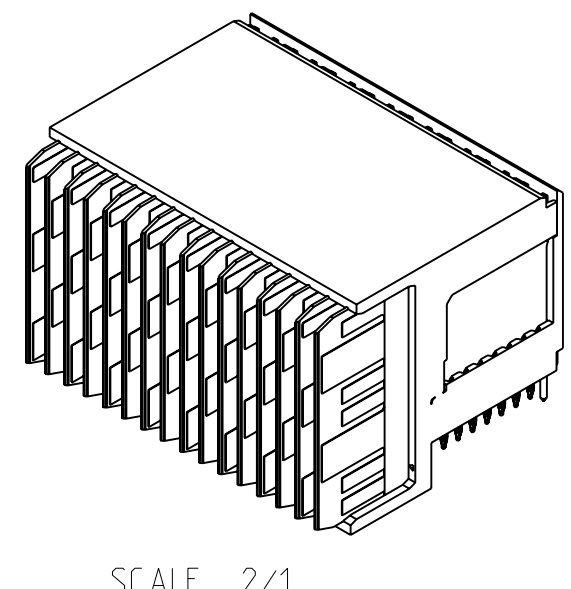
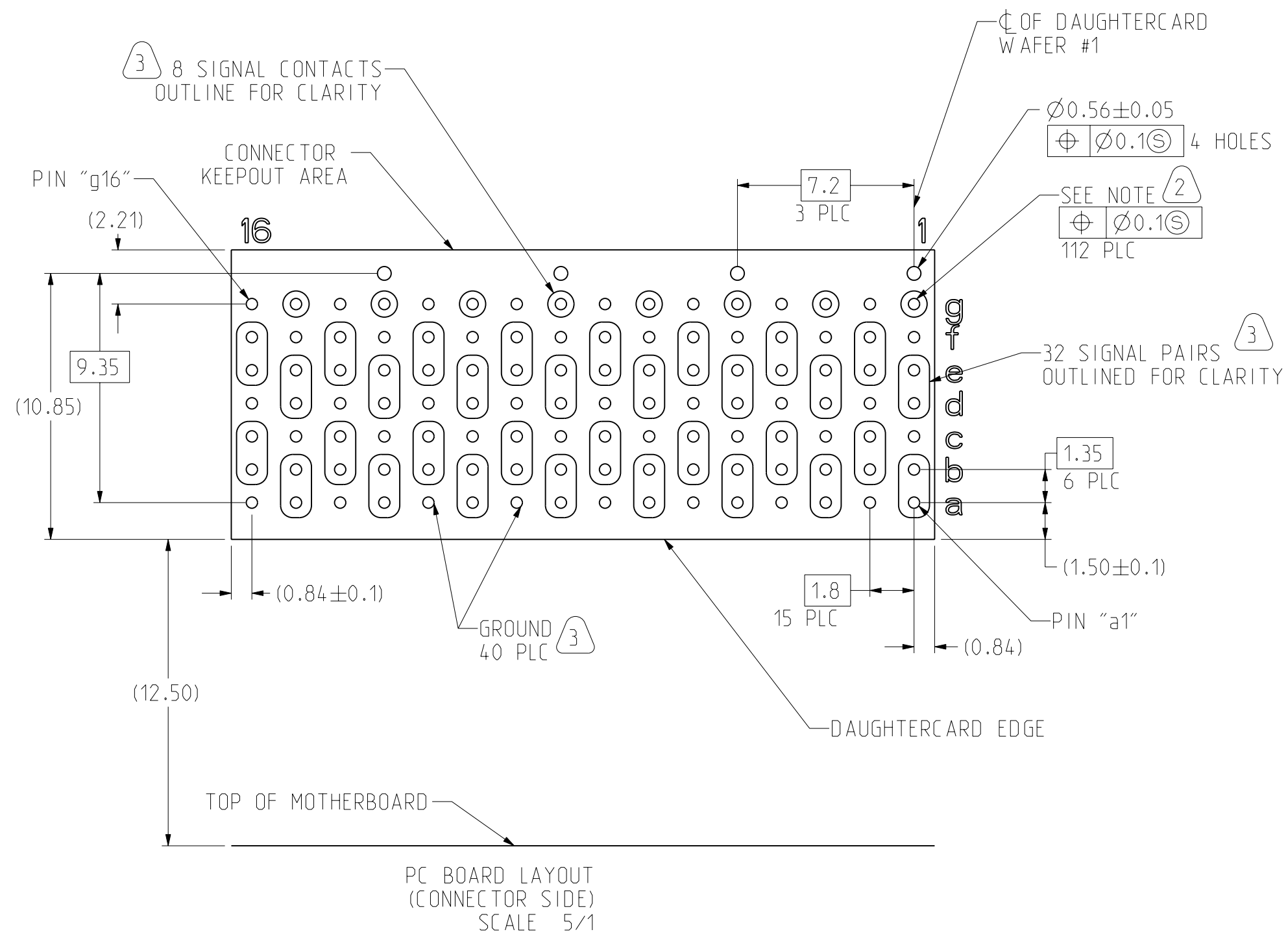


TABLE 1
INTERCONNECTIONS WITH BACKPLANE
CONNECTOR RVPX-J16MXX

TYPICAL INTERCONNECTIONS FOR COLUMN (WAFER): 2, 4, 6, 8, 10, 12, 14, 16		
CONTACT USAGE	DAUGHTERCARD CONNECTOR PIN	BACKPLANE CONNECTOR PIN
SIGNAL PAIR	bx	cx
	cx	dx
SIGNAL PAIR	ex	gx
	fx	hx
GROUND	ax, dx, gx, (ALL COMMONED)	ax, bx, ex, fx, ix

TYPICAL INTERCONNECTIONS FOR COLUMN (WAFER): 1, 3, 5, 7, 9, 11, 13, 15		
CONTACT USAGE	DAUGHTERCARD CONNECTOR PIN	BACKPLANE CONNECTOR PIN
SIGNAL PAIR	ax	ax
	bx	bx
SIGNAL PAIR	dx	ex
	ex	fx
SIGNAL	gx	ix
GROUND	cx, fx, (ALL COMMONED)	cx, dx, gx, hx

NOTE: "x" DESIGNATES THE COLUMN NUMBER

TABLE 2

PLATING THICKNESS AND MATERIAL BY PART NUMBER			
PART NUMBER	GOLD IN CONTACT AREA	COMPLIANT	NICKEL OVERALL
RVPX-P16DM1	50 μ-INCH MIN	50 μ-INCH MIN TIN	50 μ-INCH MIN
RVPX-P16DM2	50 μ-INCH MIN	50 μ-INCH MIN TIN-LEAD	50 μ-INCH MIN
RVPX-P16DC1	30 μ-INCH MIN	50 μ-INCH MIN TIN	50 μ-INCH MIN
RVPX-P16DC2	30 μ-INCH MIN	50 μ-INCH MIN TIN-LEAD	50 μ-INCH MIN

- 4 SEE TABLE 2 FOR PART NUMBER AND FINISHES
- 3 SEE TABLE 1 FOR INTERCONNECTIONS TO BACKPLANE CONNECTOR
- 2 PTH CALLOUT
TYPICAL HOLE
Ø0.63-.67 DRILL
Ø0.46 ±.05 FINISH HOLE
Ø0.92 PAD
- 1 HOUSING: GLASS FILLED LCP, UL94 - V0
CONTACT: CU ALLOY
POST: STAINLESS STEEL, PASSIVATED

THE USE OF THIS DOCUMENT IS UNLIMITED. HOWEVER, DOCUMENTS REFERENCED HEREON MAY CONTAIN LIMITED RIGHTS DATA.

N/A	PRO/ENGINEER INFORMATION Pro/e Model Used: P1233-426-0008-001.ATCS.PART Drawing Name: RVPX-P16DX
NEXT ASSEMBLY	

UNLESS OTHERWISE SPECIFIED	SPECIFICATIONS	POS	QTY	PART NUMBER	DESCRIPTION	NOTE
LINEAR DIMENSIONS ARE IN MILLIMETERS TOLERANCES: .XXXX = ±. - ANGLES= ±1° .XXX = ±. - .XX = ±.13 .X = ±.5	MATERIAL SPEC. N/A	APPROVALS		DATE	PARTS LIST	
	PROCESS SPEC. 9-3895 9-3856-5	PREPARED BY S. LANGELIER	ENGINEER IN CHARGE S. LANGELIER	DESIGN MANAGER J. PAUL	22-SEP-15	AMPHENOL CORPORATION 40-60 DELAWARE AVENUE SIDNEY, NY, 13858
		THIRD ANGLE PROJECTION			RIGHT-ANGLE PLUG ASSEMBLY CENTER, RVPX DAUGHTERCARD CONNECTOR, DIFFERENTIAL	
		SIZE C	CAGE CODE 77820	DOCUMENT NO. RVPX-P16DXX	REV. A	
		SCALE: 5.0	REF. NONE	SHEET 1 OF 2		

RVPX-P16DXX DOCUMENT NO. SHEET 1 OF 2 REV. A

REVISION 0 REV. A Eng. PDM Information For Reference Only SHEET 1 OF 2 RVPX-P16DXX DOCUMENT NO.

DOCUMENT NO. RVPX-P16DXX

SHEET 2 OF 2

REV. A

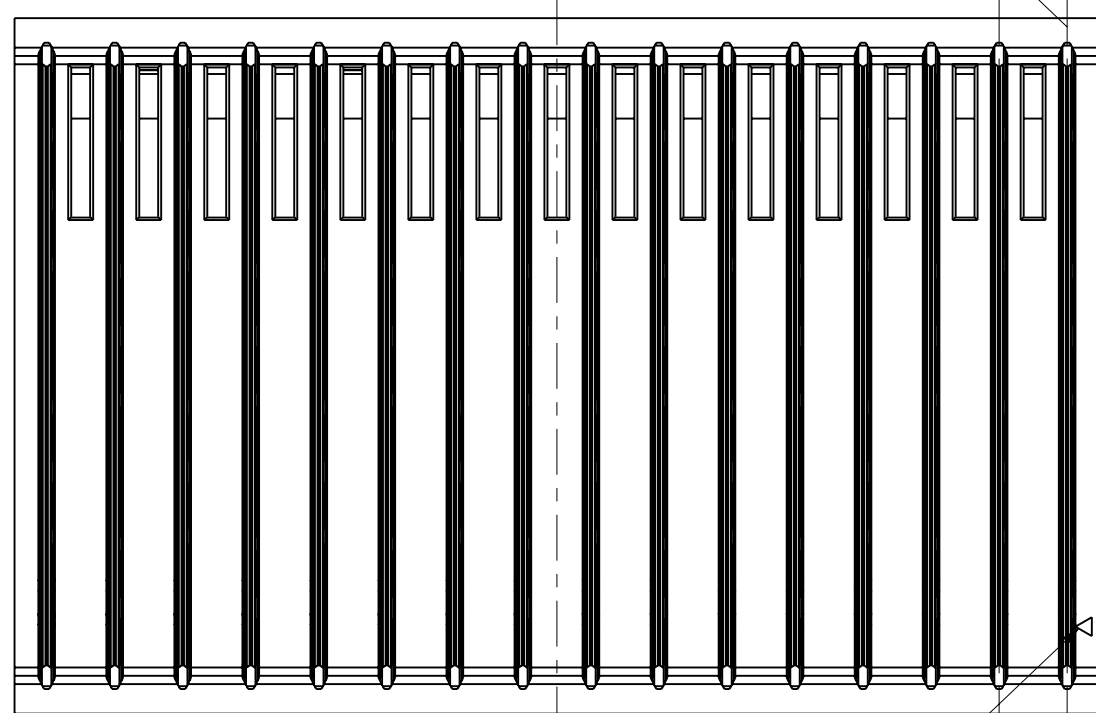
C

B

A

FORMAT: C-0-U-E-1

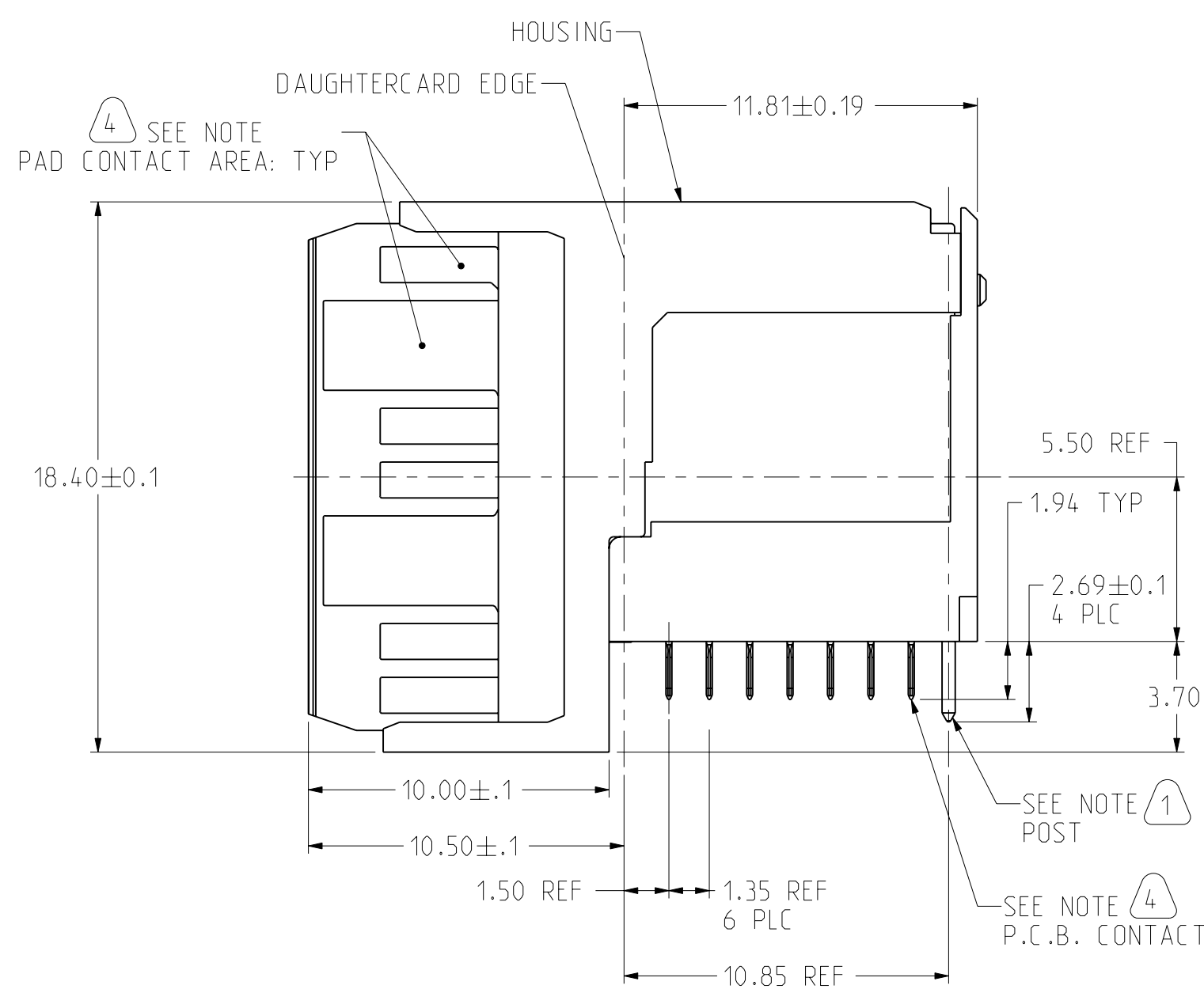
CL OF DAUGHTERCARD WAFER #1



POSITION a1

1.80 REF
15 PLC

13.50 REF



SEE NOTE 4
PAD CONTACT AREA: TYP

18.40±0.1

DAUGHTERCARD EDGE

HOUSING

11.81±0.19

5.50 REF

1.94 TYP

2.69±0.1
4 PLC

3.70

10.00±.1

10.50±.1

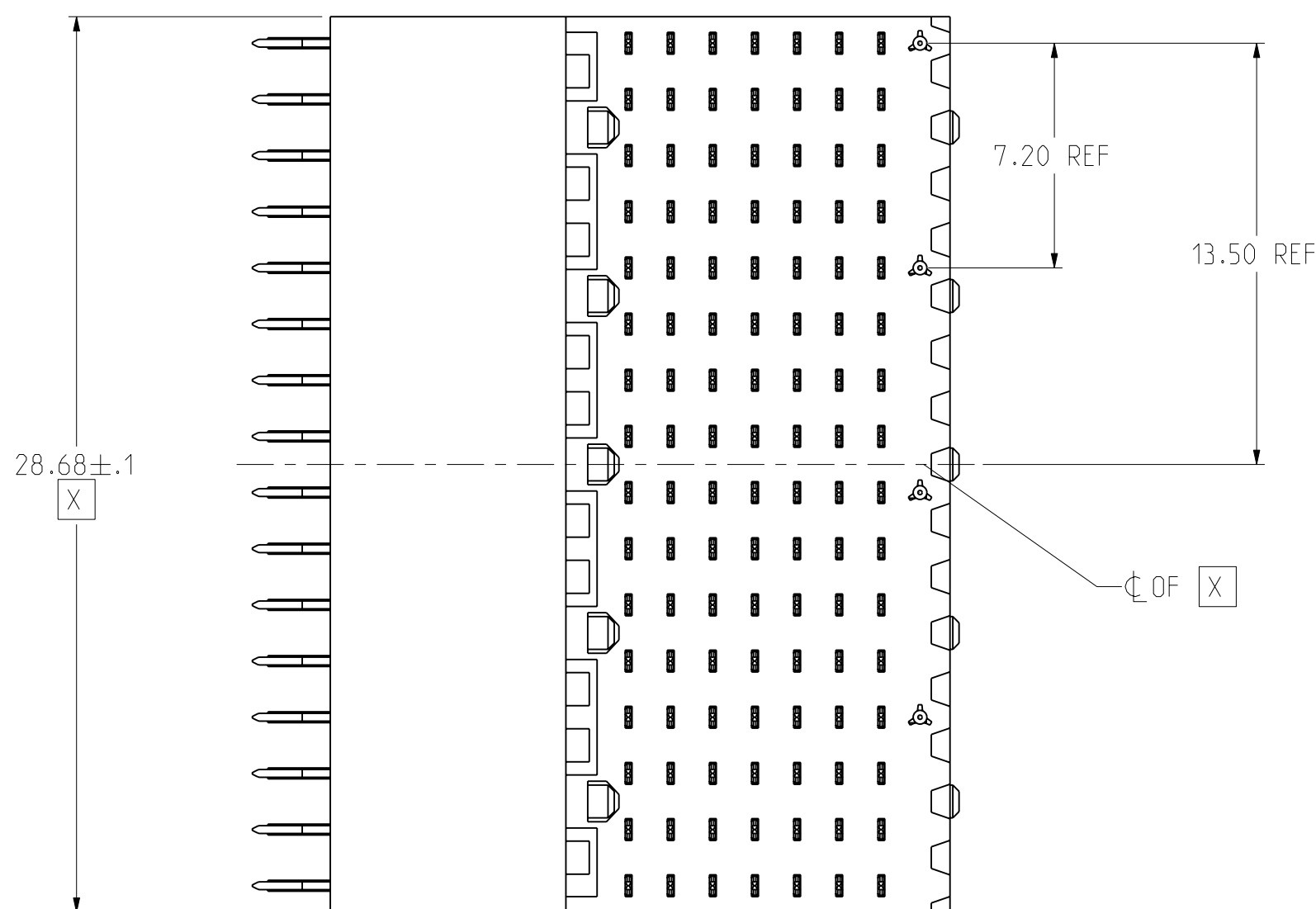
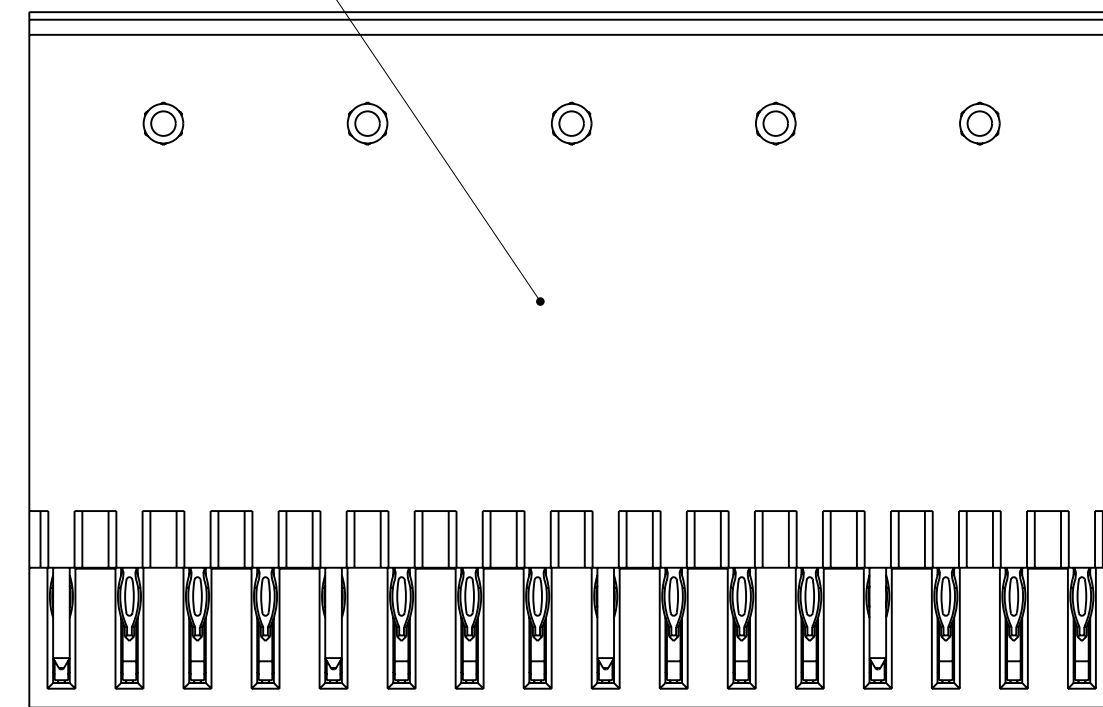
1.50 REF
1.35 REF
6 PLC

10.85 REF

SEE NOTE 1
POST

SEE NOTE 4
P.C.B. CONTACT

PART MARKING AS FOLLOWS
 AMPHENOL 77820
 'DATE CODE'
 'AAO PART NUMBER'
 'WORK ORDER NUMBER AS LOT NUMBER'



28.68±.1

7.20 REF

13.50 REF

CL OF X

NOTES: SEE SHEET 1

THE USE OF THIS DOCUMENT IS UNLIMITED.
 HOWEVER, DOCUMENTS REFERENCED HEREON
 MAY CONTAIN LIMITED RIGHTS DATA.

VERSION 0
 REVISION A
 Eng. PDM Information For Reference Only
 SHEET 2 OF 2
 RVPX-P16DXX