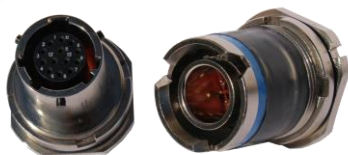


## RNJ Reduced Flange

Smaller Flange for applications where weight & size are critical



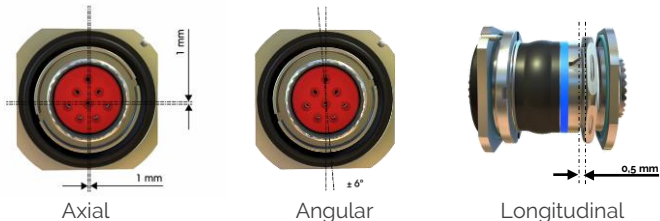
Rack & Panel connector offering realignment & floatability for Blind Mate applications in harsh environments

### MAIN FEATURES

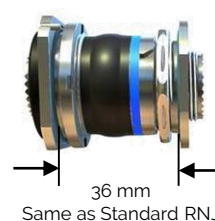
- Derived from MIL-DTL-38999 & standard RNJ, same performances than HE308
- Available only for Jam nut plug and receptacle
- Compatible with RNJ standard range (including Square Flange)
- Available in Aluminum with OD. Cadmium, Nickel or Black Zinc Nickel Plate or Stainless Steel passivated or nickel plated
- Higher density on panel & lower weight than Standard RNJ
- Reduced Flange deviation :
  - **F312** for Crimp or Standard PC Tail version / **F311** with safety Castle nut
  - **F059** for Stand-off PC Tail version / **F058** with Safety Castle nut



### REALIGNMENT AXIS



### DISTANCE BETWEEN PANELS



### RNJ REDUCED FLANGE RANGE

<p><b>F312 / F311</b> Reduced Flange</p> <p>For Crimp &amp; PC Tails contact*</p>	<p>Plug <b>RNJ26 F312</b> <i>For crimp applications</i></p> 	<p>Plug <b>RNJ46 F312</b> <i>For PC Tails applications</i></p> 	<p>Receptacle <b>RNJ27 F312</b></p> 
<p><b>F059 / F058</b> Reduced Flange Stand-Off</p> <p>For PC Tails contact*</p>	<p>Plug <b>RNJ46 F059</b></p> 		<p>Receptacle <b>RNJ27 F059</b></p> 

\*Please note that we strongly recommend not using PC Tails on plug unless soldering on flex.

### APPLICATIONS



C4ISR, Battlefield, Ground Vehicles



Missiles & UAVs

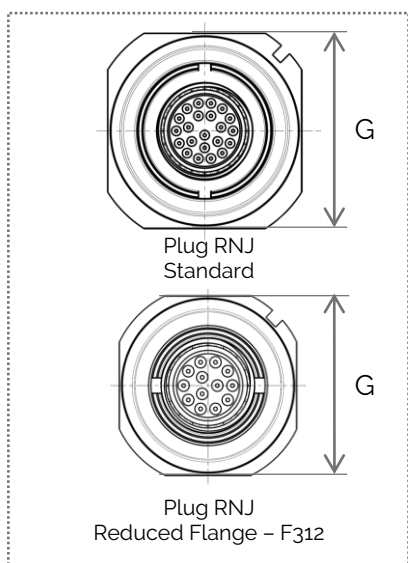


Military & Commercial Avionics

# RNJ Reduced Flange – Dimensions & tooling

## FOOTPRINT SAVING

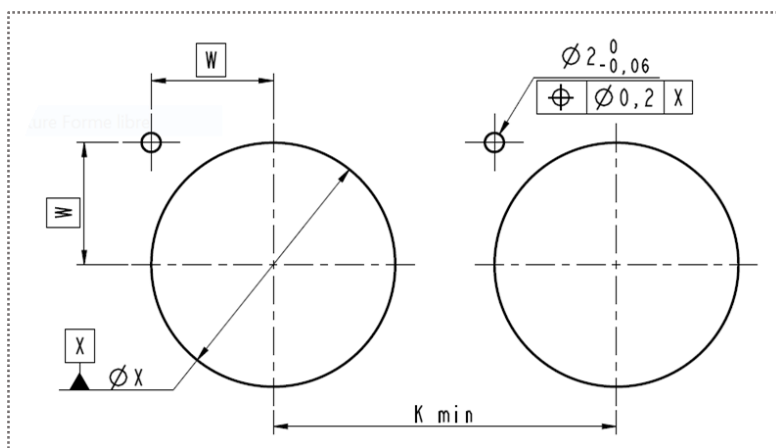
Average 30% Footprint reduction



Shell Size	Standard RNJ G max (mm)	RNJ F312/F059 G max (mm)	Footprint Reduction
11	32,16	27,03	-39,07%
13	35,34	31,03	-33,24%
15	38,51	34,53	-29,88%
17	41,69	38,53	-29,89%
19	46,43	41,53	-28,74%
21	49,64	44,53	-27,86%
23	52,78	47,53	-24,36%
25	54,03	50,53	-19,06%

Footprint dimensions are the same in Standard & Stand-Off versions

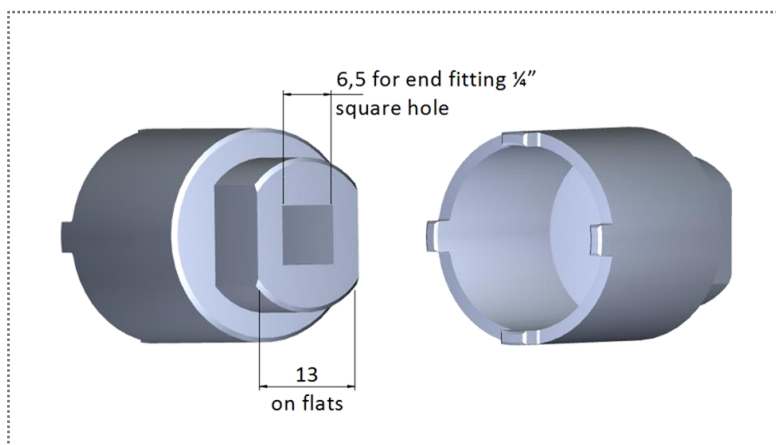
## PANEL DIMENSION – Plug & Receptacle



Shell Size	K min (mm)	W (mm)	ØX +0,1 (mm)
11	27,6	10,3	24
13	31,6	11,7	28
15	35,1	12,9	31
17	39,1	14,3	35
19	42,1	15,4	38
21	45,1	16,4	41
23	48,1	17,5	44
25	51,1	18,6	47

## TOOLING

Specific tool for the castle nut clamping :



Shell Size	Tools Part Number
11	809642
13	809643
15	809644
17	809645
19	809646
21	809647
23	809648
25	809649

# RNJ Reduced Flange – How to order

For standard configurations, please consult RNJ Catalog

## HOW TO ORDER – CRIMP CONTACTS

	1.	2.	3.	4.	5.	6.	7.	8.
Series	Shell type	Shell Material	Contacts Layout	Contacts Gender	Keying	Material & Plating	w/ or w/out Contacts	Deviation
RNJ	27	T	11-35	P	N	014	LC	F312

### 1. Shell type

27	Jam nut Receptacle
26	Jam nut Plug

### 2. Shell Material

T	Aluminum
KE	Stainless steel 303
K	Stainless steel 316L

### 3. Contact layout

Size – Layout - All LJT & TV contacts layouts available. Size 11 to 25

### 4. Contacts gender

P	Pin
S	Socket

### 5. Keying

N	Normal
A	

### 6. Material & platings

014	Aluminum	OD. Cadmium
033K		Black Zinc Nickel ✓ RoHS
023	Aluminum & Stainless steel	Nickel ✓ RoHS
Blank	Stainless Steel	Passivated ✓ RoHS

### 7. With or without contact

Blank	Connector delivered with contacts
LC	Connector delivered without contacts

### 8. Deviations

F312	Reduced Flange
F311	Reduced Flange with safety castle nut

## HOW TO ORDER – PC TAIL CONTACTS

	1.	2.	3.	4.	5.	6.	7.	8.	9.
Series	Shell type	Shell Material	PC Tail Contacts	Contacts Layout	Contacts Gender	Keying	Material & Plating	Deviation	Contact finish
RNJ	27	K	CI	11-35	P	N	023	F059	LFC

### 1. Shell type

27	Jam nut Receptacle
46	Jam nut Plug

### 2. Shell Material

Blank	Aluminum
KE	Stainless steel 303
K	Stainless steel 316L

### 3. PC Tail contacts

CI	Standard length
LI	Longer contact

### 4. Contact layout

Size – Layout - All LJT & TV contacts layouts available. Size 11 to 25

### 5. Contacts gender

P	Pin
S	Socket

### 6. Keying

N	Normal
A	

### 7. Platings

014	Aluminum	OD. Cadmium
033K		Black Zinc Nickel ✓ RoHS
023	Aluminum & Stainless steel	Nickel ✓ RoHS
Blank	Stainless Steel	Passivated ✓ RoHS

### 8. Deviations

F312	Reduced Flange
F311	Reduced Flange with safety castle nut
F059	Reduced Flange Stand off
F058	Reduced Flange Stand off with safety castle nut

### 9. Contacts finish

Blank	Lead – tin tails
H	Gold tails ✓ RoHS
LF	Lead free – Tin + Silver tails ✓ RoHS
LFC	Lead free – Tin + Silver + Copper tails ✓ RoHS