



RoboLok™ Features:

3 position high current connectors. An ample temperature range and a wide wire range from RADSOK® contacts, With a current carrying capability up to 200A (continuous) on 50mm² wire, the Primary circuit connector Robolok can be used For installation on robot arms or electrical equipments.

- 2+PE configuration with FMLB
- 1000V AC or DC; 50Hz – 3kHz
- Light weight composite housings
- Compact, modular design with highest current ratings from RADSOK®
- 200A Current Limit with max cable size
- Quick disconnect solutions for minimized downtime
- Tool-less assembly and easy maintainance

Amphenol

Characteristics:

Mechanical

Number of poles	2+PE configuration with FMLB
Terminal	8.0mm RADSOK® R4 and PIN
Mating Cycling	Min. 500

Electrical

Max Current Rating	Up to 200A
Voltage rating	1000V DC/AC
Dielectric withstand voltage	3,5kV (50Hz, 1min.)

Environmental

Protection, in mated condition	IP67
Temperature range	- 40°C ~ +100°C
Inflammability	UL 94-V0

Standards

UL1977 (in prepared)
IEC 61984
DIN VDE 0298-4/2003-08

RoboLok™ Recommended Cable Size and Current Rating:

Contact System with 8.0mm RADSOK® R4

4AWG	100A
25mm ²	100A
35mm ²	150A
1/0AWG 50mm ²	200A



Amphenol

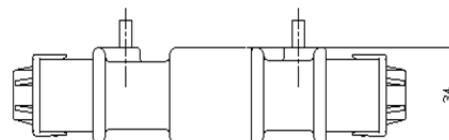
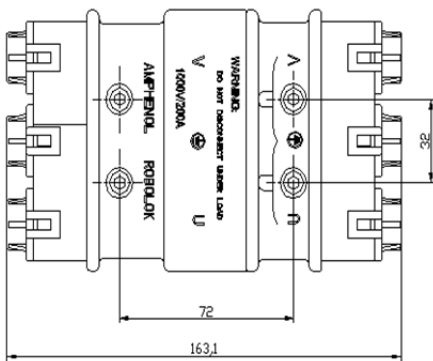
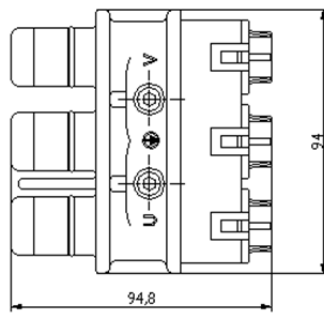
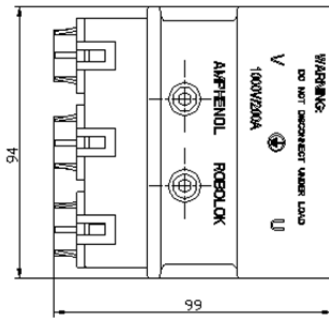
Product Dimensions



RL- P35-R8

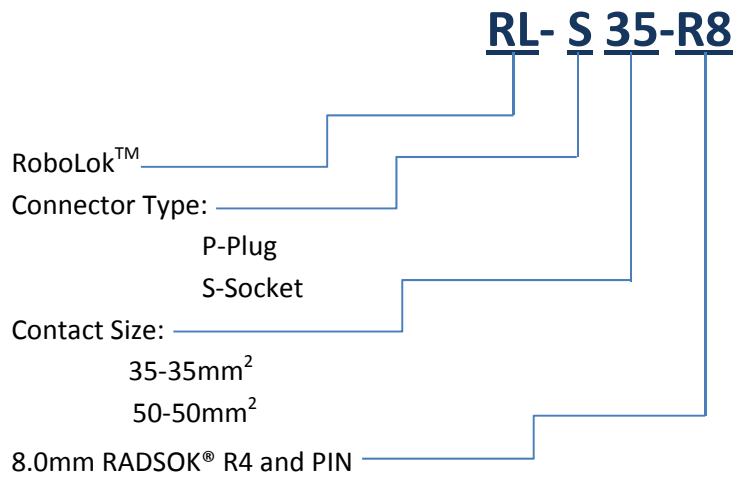


RL- S35-R8

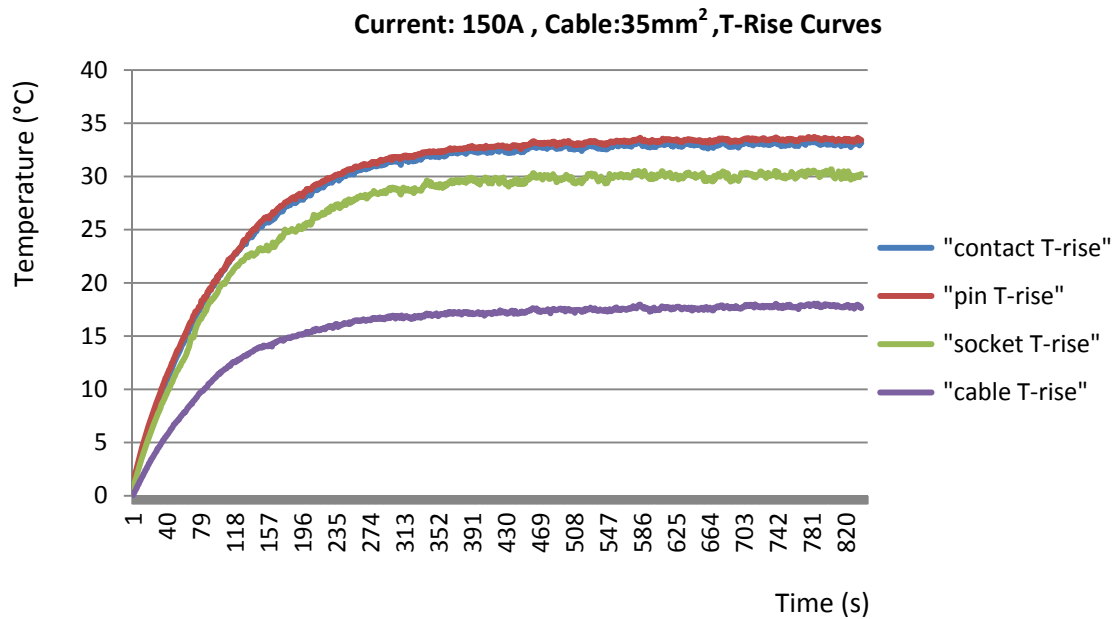


Amphenol

How to Order:

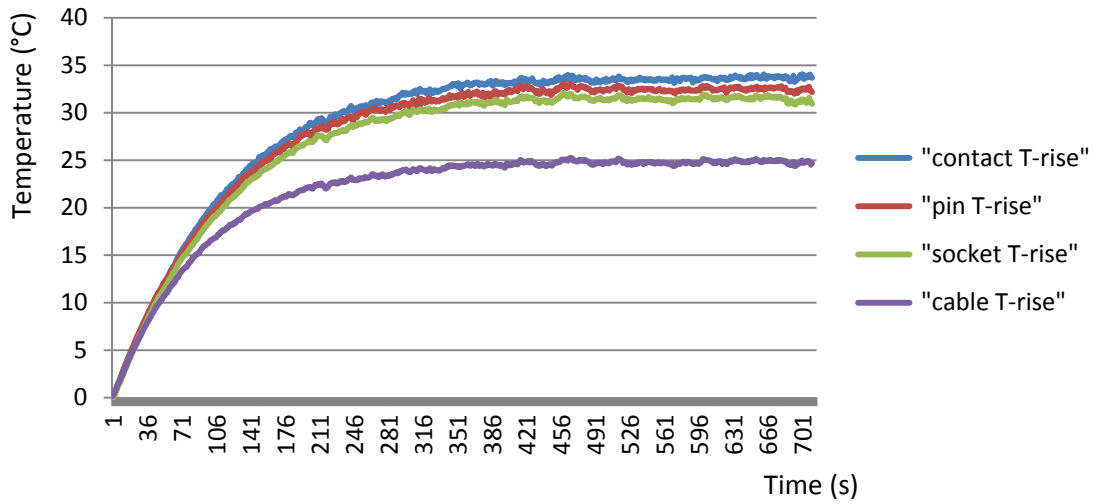


T-Rise Curves:



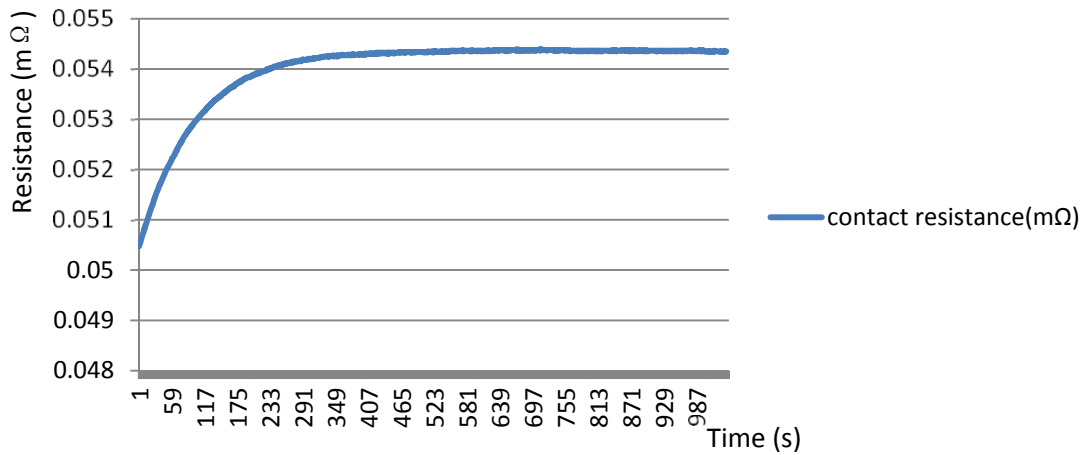
Amphenol

Current: 200A , Cable:50mm²,T-Rise Curves



Contact Resistance :

Current: 150A , Cable:35mm²,Contact Resistance(mΩ)



Current 200A,Cable50mm² ,Contact Resistance(mΩ)

