

# SurLok® Jumper

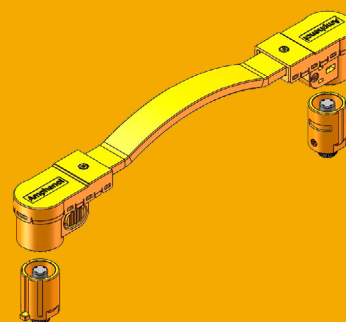
SurLok® Jumper provides pre-configured cable assemblies for energy storage systems, battery modules, and power distribution applications. These jumpers deliver reliable power transmission in tight packaging environments with rugged overmolded construction featuring IP67-rated protection against dust and moisture ingress.

Featuring RADSOK® contact technology, each jumper ensures high current capacity with low insertion force and minimal temperature rise. Available in multiple gauge sizes and custom lengths, SURLOK Jumpers utilize a quick-lock interface for secure, tool-free mating. Ideal for internal battery interconnects and power distribution connections, they deliver compact, robust performance where reliability matters most.

## Features and Benefits

### Non-waterproof 8mm

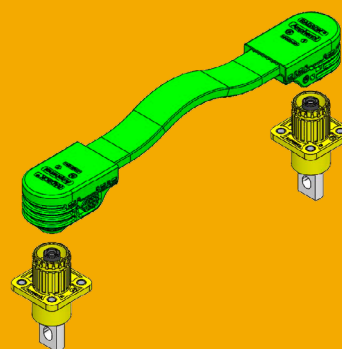
Current Rating	200A
Voltage	1000VDC
Withstanding voltage	4250VAC
Temperature rise	≤45°
Pollution degrees	2
Operation temperature range	-40~125°C
Mating cycles	100
Mounting panel dimension	Non-flange type
Receptacle terminal type	Press-fit or screw or crimping or busbar
Shell color	Orange & black
Keyway	Poka-yoke, keyway 1 (90°), keyway 2 (180°)
IP rating	IPXXB, nonwatery-proof
Mating and Un-mating Force	≤75N
Contact Resistance	≤0.3mΩ
Isolation Resistance	≥100MΩ
Certification standards	UL 4128 and TUV 2PFG2740/IEC 61984



## Features and Benefits

### Non-waterproof 12mm

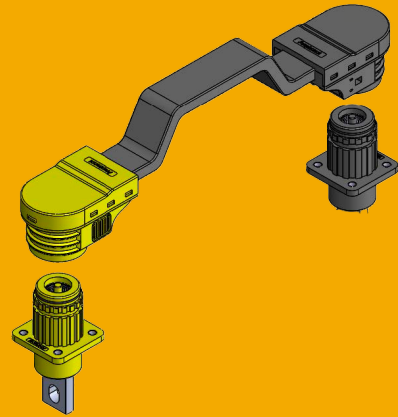
Current Rating	360A
Voltage	1500VDC
Withstanding voltage	6800VAC
Temperature rise	≤45°
Pollution degrees	2
Operation temperature range	-40~125°C
Mating cycles	100
Receptacle screw assemble	30x30mm(M5)
Mounting panel dimension	44x44mm
Receptacle terminal type	Busbar or screw or crimping
Shell color	Orange & black
Keyway	Poka-yoke, keyway 1 (20°), keyway 2 (30°)
IP rating	IPXXB, nonwatery-proof
Mating and Un-mating Force	≤75N
Contact Resistance	≤0.3mΩ
Isolation Resistance	≥100MΩ
Certification standards	UL 4128 and TUV 2PFG2740/IEC 61984



# Features and Benefits

## Waterproof 8.0/14mm

Current Rating	200A/450A
Voltage	1500VDC
Withstanding voltage	6800VAC
Temperature rise	≤45°
Pollution degrees	2
Operation temperature range	-40~125°C
Mating cycles	100
Receptacle screw assemble	8.0mm/14.0mm
Mounting panel dimension	With panel, 8.0mm share SurLok 2.5gen receptacle, 14mm share SurLok Welding receptacle
Receptacle terminal type	Press-fit or screw or crimping or busbar
Shell color	Orange & black
Keyway	Poka-yoke, keyway 1(90°), keyway 2(180°)
IP rating	IPXXB, nonwatery-proof
Mating and Un-mating Force	≤75N
Contact Resistance	≤0.3mΩ
Isolation Resistance	≥100MΩ
Certification standards	UL 4128 and TUV 2PFG2740/IEC 61984



## MARKETS



Battery Storage Container



E-bus



EV/ fuel cell EV



Heavy Equipment

## CONTACT FACTORY

亚洲  
安费诺科技（珠海）有限公司  
广东省珠海市金湾区三灶镇星汉路  
63号  
邮编：5190404  
电话：+86-756-398 9725  
传真：+86-756-398 9768  
www.amphenol-industrial.com  
Email: tech@amphenol-aio.com

Amphenol Corporation  
Amphenol Industrial Operations  
20,Valley Street  
Endicott,NY 13760-3600  
Telephone: 888-364-9011  
Fax: 520-397-7169  
www.amphenol-industrial.com  
Email:tech@amphenol-aio.com