

# Amphenol Industrial



ENERGY STORAGE



HEAVY EQUIPMENT



ELECTRIC VEHICLES



SERVER/DATACOM

## SURLOK® PLUS INLINE TYPE

### 5.7MM and 8.0MM

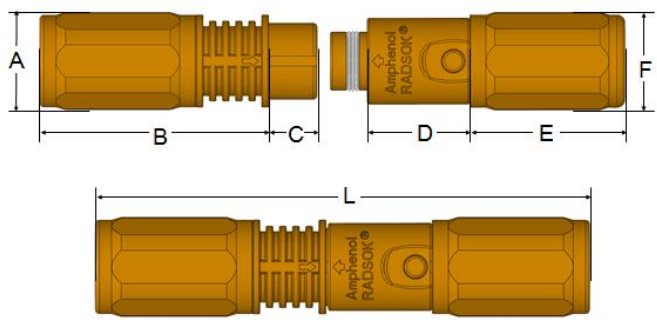
Amphenol's SurLok Plus™ is an environmentally sealed version of our original SurLok but available in smaller sizes, and features a quick lock and press-to-release design. Incorporating the latest R4 RADSOK® Technology, SurLok Plus™ is a compact, quick mating, and robust product line. Adding the new type of SurLok Plus™ called IN-LINE 5.7mm and 8.0mm, especially for high voltage interconnections, it offers better separating point for safety and fixes the installation issue when in tough conditions. For example, for EVs/HEV where existing equipment such as PDU, electric motor, etc. comes with cables integrated therefore an in-line interconnection could be worked on that.

The in-line type of SurLok Plus™ is a field installable, high reliable alternative to common compression lugs.

## Features and benefits

- R4 RADSOK® Technology
- IP67 rating
- Touch Proof
- Quick lock and press-to-release design
- Flammability: UL 94 V-0
- Wide amperage range: 100A~200A
- RoHS compliant
- Multiple keyways
- Cable to cable connect
- Voltage 1000V
- Compact robust design
- UL and TUV certification
- Operating temperature:
- Durability:100 mating cycles

## Production Dimensions



Size	Inline Type						
	A	B	C	D	E	F	L
5.7mm	20	54.3	8.8	24	35.7	20	114
8.0mm	24.3	56.7	12	25.6	38.7	24.3	121.5

## How to order

Product series	Type		RADSOK Size		Cable Size		Backshells		Sealing		Color		Keyway	
			A	B	16	25	16mm <sup>2</sup>	25mm <sup>2</sup>	B	W/ Backshells	S	IP67	O	Orange
SLP	CP	Inline Plug	A	5.7mm	16	16mm <sup>2</sup>	B	W/ Backshells	S	IP67	O	Orange	0	90°
					25	25mm <sup>2</sup>								
			B	8.0mm	25	25mm <sup>2</sup>								
					35	35mm <sup>2</sup>								
	CR	Inline Receptacle	A	5.7mm	16	16mm <sup>2</sup>			N	Non-Sealed	B	Black	3	120°
					25	25mm <sup>2</sup>								
35	35mm <sup>2</sup>													
50	50mm <sup>2</sup>													

## Electrical Specification

Item	Description	RADSOK Size	
		5.7mm	8.0mm
1	Operating Voltage	1000V	
2	Max Current Rating	120A max	200A max
3	Operating Temperature	(-40°C) ~105°C	
4	Protection Resistance	IP67 (Mated)	
5	Contact resistance	0.5mΩ Max	



[www.amphenol-industrail.com](http://www.amphenol-industrail.com)