



mTACH, miniature 2-channel fiber optic connector

Features & Benefits

- Hermaphroditic design facilitates concatenation
- Single mode and multimode versions
- Compact size
- Multiple finishes and materials available
- RoHS compliant
- Environmentally sealed
- 2000 mating cycles durability

Performance

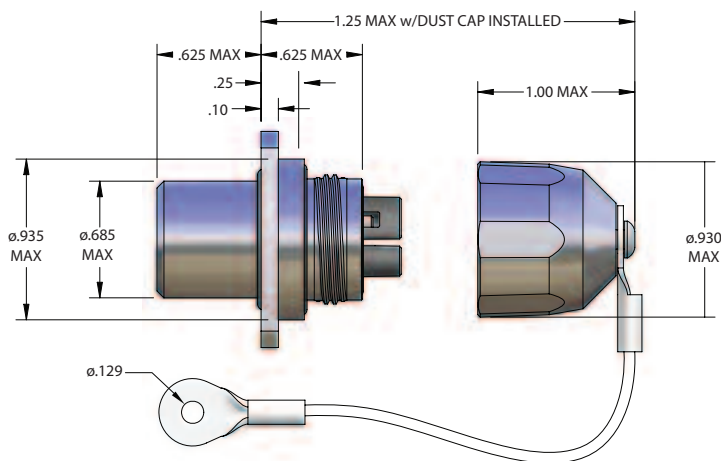
- Insertion loss (SM or MM): -0.75dB max

About the mTACH

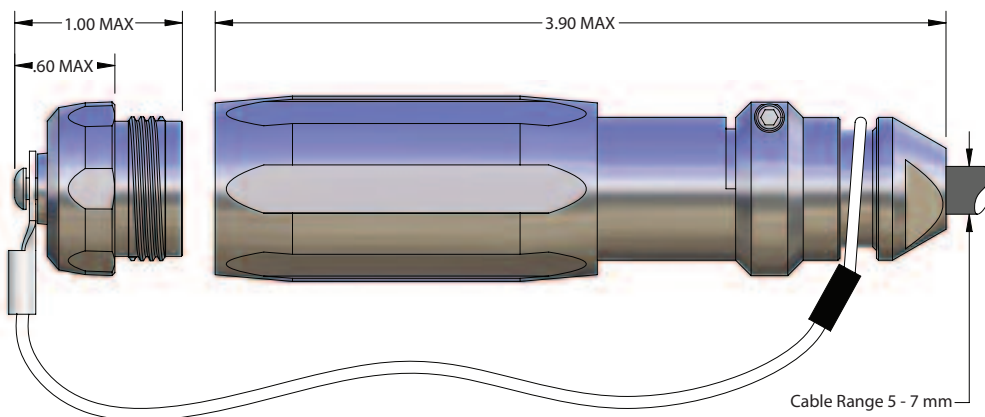
Amphenol Fiber Systems International (AFSI) offers a high-performance, dual-channel hermaphroditic fiber optic connector, ideally suited for the energy, broadcast, and military markets. The mTACH connector is rugged yet compact. It is designed for use in tight spaces yet durable enough for use in applications requiring multiple mating cycles and harsh environments.

The connector design utilizes a simple termination procedure allowing users to terminate the connectors on site. The simple tools required for assembly and maintenance are available from AFSI, and test equipment is also available. AFSI offers training on the termination procedure at our facility in Allen, Texas, or at the customer's location.

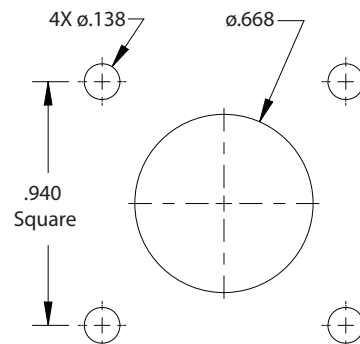
mTACH6000 Product Drawing



mTACH1000 Product Drawing



mTACH6000 Panel Cutout



(All dimensions are in inches unless otherwise noted.)



mTACH Ordering Information

- mTACH1000 A1 Plug**
- Dust Cap**
 - 1 = Hermaphroditic, same material/finish as connector
 - 2 = Hermaphroditic, black plastic
 - 3 = Male, same material/finish as connector
 - 4 = Male, black plastic
 - Connector Material & Finish**
 - 3 = 6061-T6 Alum, gloss black hard anodized PTFE
 - 7 = 6061-T6 Alum, natural hard anodized PTFE
 - C = 303 stainless, passivated

- mTACH6000 A1 Flange Mount Receptacle**
- Dust Cap**
 - 1 = Female, same material/finish as connector
 - 2 = Female, black plastic
 - Connector Material & Finish**
 - 3 = 6061-T6 Alum, gloss black hard anodized PTFE
 - 7 = 6061-T6 Alum, natural hard anodized PTFE
 - C = 303 stainless, passivated

About Amphenol Fiber Systems International

Amphenol Fiber Systems International (AFSI) designs, manufactures, markets and supports reliable and innovative fiber optic interconnect solutions that withstand the harsh environments of military, oil & gas, mining and broadcast applications. After more than a decade in business, AFSI continues to uphold its position as a global leader in fiber optic interconnect components and systems such as termini, M28876, MIL-ST, TFOCA and the TFOCA-II® connector, which AFSI developed and patented.

AFSI has delivered millions of fiber optic connectors worldwide. Whenever there is a need for superior, cost-effective fiber optic systems and products that will stand up to demanding operating environments, you can rely on AFSI for engineering know-how, top-quality products and expert technical support.

Visit www.fibersystems.com for more information.